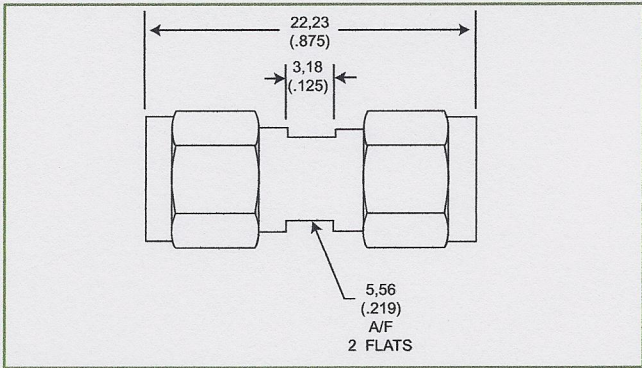


IN-SERIES ADAPTORS

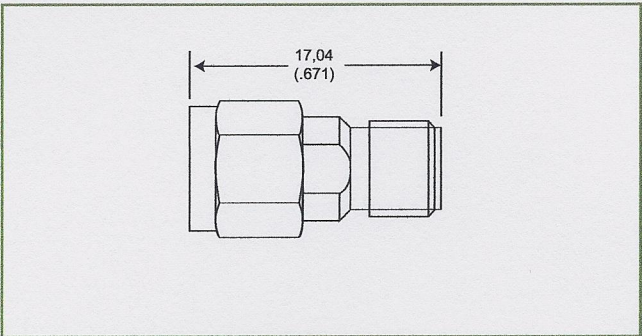
Plug to Plug Adaptor, Straight

Part Number
050 - 673 - 0000890



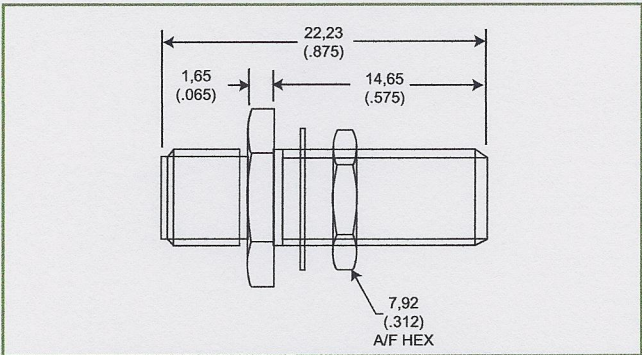
Plug to Jack Adaptor, Straight

Part Number
050 - 674 - 0000890



Jack to Jack Adaptor, Bulk Head Mount, Straight

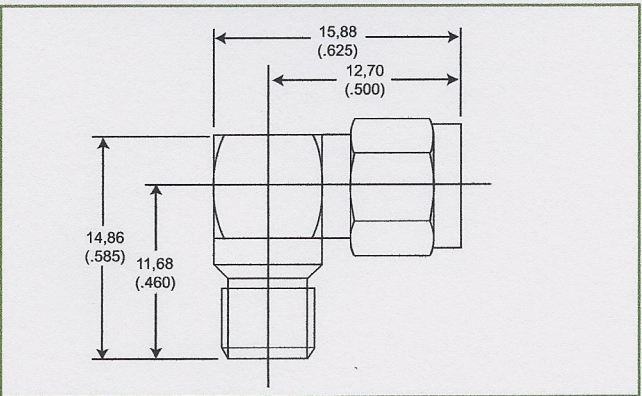
Part Number
050 - 675 - 0000890



Mounting Plan W (Page 40)

Plug to Jack Adaptor, Right Angle

Part Number
050 - 678 - 0000890



The surface finish on these products is passivated stainless steel. For gold plated versions change last three digits of the the part number from 890 to 310.

Cannon

Dimensions are shown: mm (inch)
Specifications and dimensions subject to change