

DO NOT SCALE PRINT

Honeywell

SWITCH - BASIC

CATALOGUE LISTING

V5C010BB3G

V5C010BB3G

M

DRAWING NUMBER

ISSUE

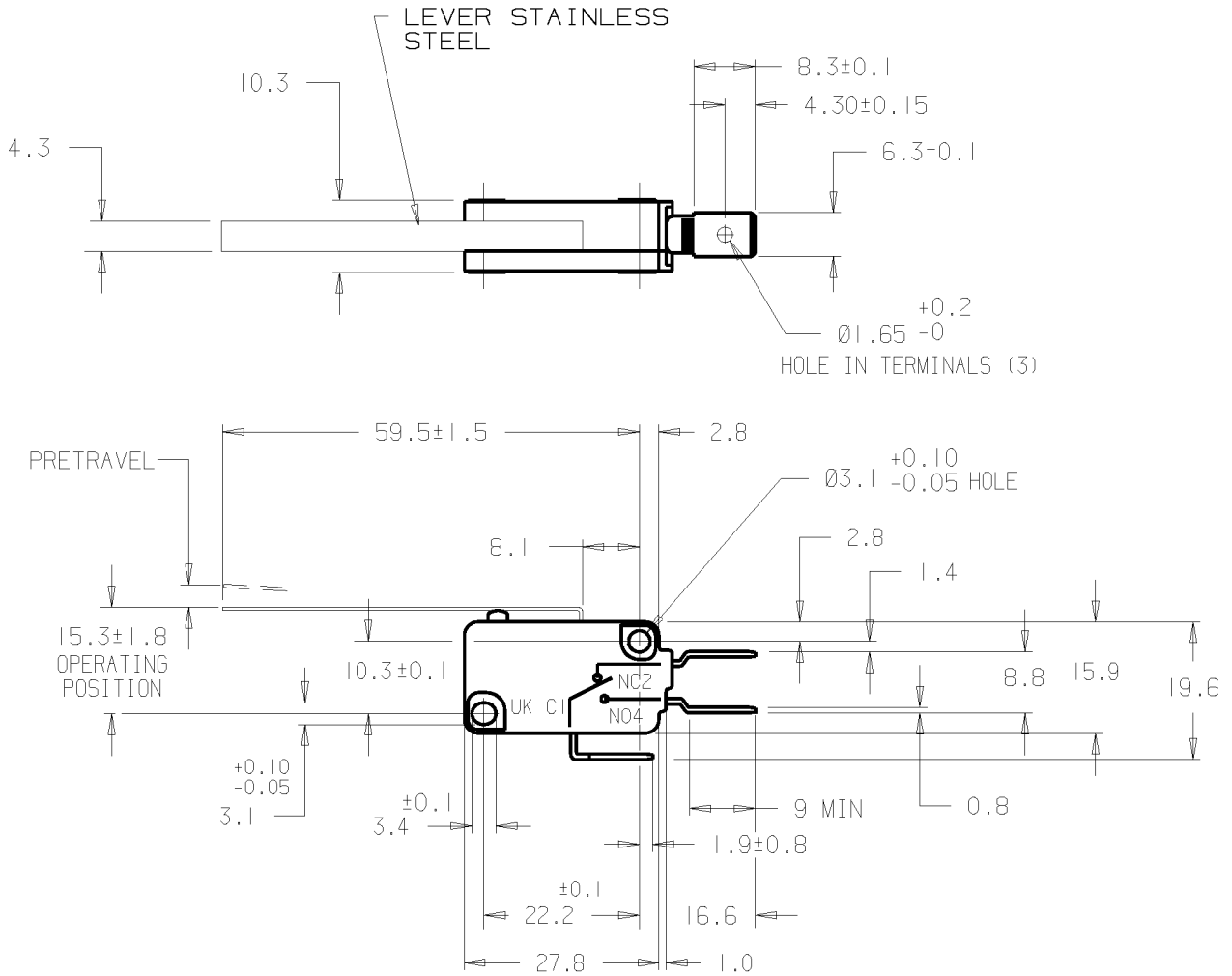
3

REPLACES

RELEASE NUMBER MS-11586

REVISIONS

2	1.2.95
CN15758	
3	A.M.
19/06/00	

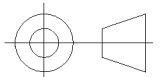


NOTES :-

1. MOUNTING HOLES WILL ACCEPT Ø3 MAX PINS OR SCREWS.
2. TERMINALS WILL ACCEPT 6.3 WIDE QUICK CONNECT RECEPTACLES AND COMPLY WITH EN61058-1 REQUIREMENTS.
3. ALSO APPROVED BY UL AT 0.5A 125VDC : 0.25A 250VDC.

THE COPYRIGHT OF THIS DRAWING IS THE PROPERTY OF HONEYWELL LTD. THE DRAWING IS SUPPLIED IN CONFIDENCE AND MUST NOT BE USED FOR ANY PURPOSE OTHER THAN THAT FOR WHICH IT IS SUPPLIED.

THIRD ANGLE PROJECTION



5.91	
DRAWN	CB
CHECK	
DESIGN	
AUTHOR'S	

CHARACTERISTICS	
OPERATING FORCE	60g MAX
DIFFERENTIAL FORCE	
RELEASE FORCE	10g MIN
FREE POSITION	
PRETRAVEL	6.4 MAX
DIFFERENTIAL TRAVEL	1.5 MAX
OVERTRAVEL	2.4 MIN
FULL OVERTRAVEL FORCE	

ELECTRICAL DATA	
CONTACT ARRANGEMENT S.P.D.T.	
NL67	19
10(3)A 250V T85 μ 5E4	
11A	1/3HP 125/250VAC

SCALE :-	1/1
DIMENSIONS ARE IN MILLIMETRES	
TOLERANCES UNLESS OTHERWISE STATED	
±0.4	
ANGULAR ±	
MODIFY ON CAD3D SYSTEM ONLY	