

MODULAR JACK CHARACTERISTICS LEGEND

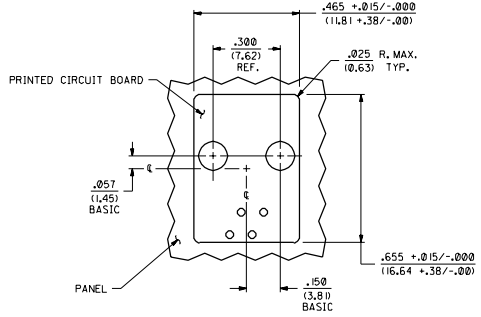
EXTERNAL CONNECTOR BODY DIMENSIONS: (SEE NOTES 8 AND 9)
 JACKS ARE AVAILABLE IN STANDARD 4, 6, AND 8 POSITION BODY SIZES
 NUMBER OF CONTACT POSITIONS:
 CONNECTOR SIZE 4 CAN ACCOMMODATE 2 OR 4 TERMINALS;
 CONNECTOR SIZE 6 CAN ACCOMMODATE 2, 4, OR 6 TERMINALS;
 CONNECTOR SIZE 8 CAN ACCOMMODATE 2, 4, 6, 8, OR 10 TERMINALS
 POLARIZATION OPTION:
 "NO"= JACKS WITHOUT KEYING SLOT
 "YES"= JACKS WITH KEYING SLOT (AVAILABLE ON CONNECTOR SIZE 8 ONLY)
 MOUNTING EARS OPTION:
 "YES"= JACKS WITH MOUNTING EARS
 "NO"= JACKS WITHOUT MOUNTING EARS

NOTES:

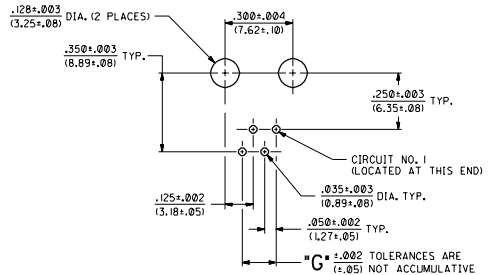
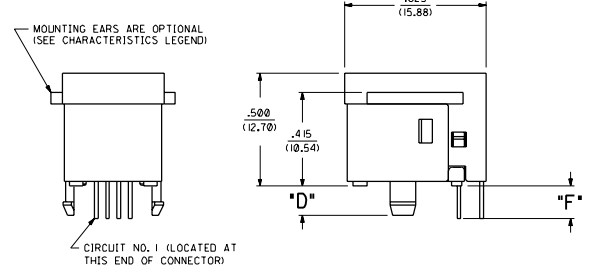
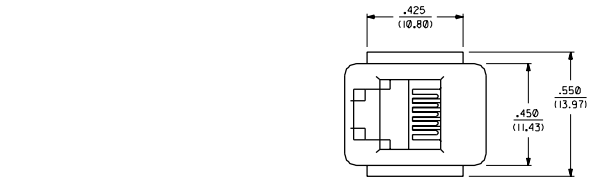
- 1) MATERIALS: HOUSING- POLYESTER, GLASS FILLED, UL94V-0, COLOR - BLACK
 TERMINALS- PHOSPHOR BRONZE ALLOY, .015/(0.38) THICK.
- 2) TERMINAL PLATING OPTIONS:
 "A"= .000050/(.00127) MIN. GOLD IN CONTACT AREA, .000050/(.00127) MIN. TIN-LEAD ON P.C. TAILS, AND .000050/(.00127) MIN. NICKEL UNDERPLATE OVERALL.
 "B"= .000030/(.00076) MIN. GOLD IN CONTACT AREA, .000050/(.00127) MIN. TIN-LEAD ON P.C. TAILS, AND .000050/(.00127) MIN. NICKEL UNDERPLATE OVERALL.
 "C"= .000015/(.00038) MIN. GOLD IN CONTACT AREA, .000050/(.00127) MIN. TIN-LEAD ON P.C. TAILS, AND .000050/(.00127) MIN. NICKEL UNDERPLATE OVERALL.
- 3) THESE MODULAR JACKS MEET THE PERFORMANCE REQUIREMENTS OF MOLEX PRODUCT SPECIFICATION PS-42878.
- 4) ALL JACKS ARE DESIGNED TO BE USED WITH .062/(1.57) OR .125/(3.18) THICK P.C. BOARDS.
- 5) ALL JACKS CONFORM TO AND ACCEPT PLUGS WHICH CONFORM TO FCC RULES AND REGULATIONS PART 68, SUBPART F.
- 6) ALL JACKS MUST BE CAPABLE OF FITTING INTO MOLEX GAGE G-42878 (CONNECTOR SIZE 4).
- 7) ALL UNTOLERANCED DIMENSIONS ARE SHOWN FOR REFERENCE ONLY.
- 8) SEE SHEET 2 & 4 FOR CONNECTOR SIZE 6.
- 9) SEE SHEETS 3 & 5 FOR CONNECTOR SIZE 8.
- 10) CONNECTORS ARE SHIPPED IN THERMOFORMED TRAYS, PER PACKAGING SPECIFICATION PK-42878-492.
- 11) THIS MODULAR JACK ASSEMBLY IS ALSO AVAILABLE IN A HIGH TEMPERATURE MATERIAL. (SEE MOLEX DRAWING SDA-43579-****)
- 12) ENGRAVED NUMBERS ON HOUSING BODY ARE FOR MOLDING IDENTIFICATION ONLY. THEY ARE NOT INTENDED FOR ASSEMBLY IDENTIFICATION PURPOSES.

| P. C. BOARD THICKNESS | DIM. "D" (MTG. PEGS) | DIM. "F" (P.C. TAILS) |
|-----------------------|----------------------|-----------------------------------|
| .062(1.57) | .128 (3.25) | .120 +.015/-.025 (3.05 +.38/-.63) |
| .125(3.18) | .191 (4.85) | .205 +.015/-.025 (5.21 +.38/-.63) |

| CONNECTOR SIZE | CIRCUIT SIZE | DIM. "G" |
|----------------|--------------|-------------|
| 4 | 4 | .150 (3.81) |
| 4 | 2 | .050 (1.27) |



PANEL CUT-OUT FOR CONNECTOR SIZE 4



P.C. BOARD LAYOUT FOR CONNECTOR SIZE 4

SIZE 4 MODULAR JACK LOADED WITH 4 TERMINALS SHOWN ABOVE

(SEE SHEET 4 FOR PART NUMBER AVAILABILITY)

| REVISED PER | REVISED PER | REVISED PER | REVISED PER | REVISED PER | REVISED PER | REVISED PER | REVISED PER | REVISED PER | REVISED PER |
|-------------|---------------|-------------|--------------|-------------|---------------|-------------|---------------|-------------|---------------|
| E | UCR 1999-0688 | B | ECN #13-0483 | A | ECN #12-1921 | I | X-RELEASE PER | F | UCR 1999-0018 |
| D | UCR 1999-0495 | A | ECN #12-1921 | I | X-RELEASE PER | F | UCR 1999-0018 | C | UCR 1999-0018 |
| LTR. | REVISIONS | LTR. | REVISIONS | LTR. | REVISIONS | LTR. | REVISIONS | LTR. | REVISIONS |

| 5 | D |
|---|---|
| 4 | D |
| 3 | F |
| 2 | F |
| 1 | F |

MOLEX INCORPORATED
 ASSEMBLY, VERTICAL LOW PROFILE MODULAR JACKS (CONNECTOR SIZE 4)
 SEE SHEET 4 OF 5 SDA-42878-***
 MOLEX INCORPORATED
 1455 S. STATE STREET, P.O. BOX 168, LITTLETON, CO 80120
 TEL: (303) 948-7000 FAX: (303) 948-7001
 WWW.MOLEX.COM

| MATERIAL | ASSEMBLY NUMBER | PART CHARACTERISTICS | | | | |
|----------|-----------------|-------------------------|---------------------|-----------------------|----------------------|-------------------------|
| | | EXTERNAL CONNECTOR SIZE | NUMBER OF POSITIONS | P. C. BOARD THICKNESS | MOUNTING EARS OPTION | TERMINAL PLATING OPTION |
| 1 | 42878-4216 | 4 POS. BODY | 4 | .062 | YES | 595 |
| 2 | 42878-4218 | ↑ | ↑ | .062 | NO | 595 |
| 3 | 42878-4220 | ↑ | ↑ | .062 | YES | 594 |
| 4 | 42878-4222 | ↑ | ↑ | .062 | NO | 594 |
| 5 | 42878-4224 | ↑ | ↑ | .062 | YES | 542 |
| 6 | 42878-4226 | ↑ | ↑ | .062 | NO | 542 |
| 7 | 42878-4264 | ↑ | ↑ | .125 | YES | 595 |
| 8 | 42878-4266 | ↑ | ↑ | .125 | NO | 595 |
| 9 | 42878-4268 | ↑ | ↑ | .125 | YES | 594 |
| 10 | 42878-4270 | ↑ | ↑ | .125 | NO | 594 |
| 11 | 42878-4272 | ↑ | ↑ | .125 | YES | 542 |
| 12 | 42878-4274 | ↑ | 4 | .125 | NO | 542 |
| 13 | 42878-4360 | ↑ | 2 | .062 | YES | 595 |
| 14 | 42878-4362 | ↑ | ↑ | .062 | NO | 595 |
| 15 | 42878-4364 | ↑ | ↑ | .062 | YES | 594 |
| 16 | 42878-4366 | ↑ | ↑ | .062 | NO | 594 |
| 17 | 42878-4368 | ↑ | ↑ | .062 | YES | 542 |
| 18 | 42878-4370 | ↑ | ↑ | .062 | NO | 542 |
| 19 | 42878-4408 | ↑ | ↑ | .125 | YES | 595 |
| 20 | 42878-4410 | ↑ | ↑ | .125 | NO | 595 |
| 21 | 42878-4412 | ↑ | ↑ | .125 | YES | 594 |
| 22 | 42878-4414 | ↑ | ↑ | .125 | NO | 594 |
| 23 | 42878-4416 | ↑ | ↑ | .125 | YES | 542 |
| 24 | 42878-4418 | 4 POS. BODY | 2 | .125 | NO | 542 |

| MATERIAL | ASSEMBLY ITEM NUMBER | PART CHARACTERISTICS | | | | |
|----------|----------------------|-------------------------|---------------------|-----------------------|----------------------|-------------------------|
| | | EXTERNAL CONNECTOR SIZE | NUMBER OF POSITIONS | P. C. BOARD THICKNESS | MOUNTING EARS OPTION | TERMINAL PLATING OPTION |
| 1 | 42878-6216 | 6 POS. BODY | 6 | .062 | YES | 595 |
| 2 | 42878-6218 | ↑ | ↑ | .062 | NO | 595 |
| 3 | 42878-6220 | ↑ | ↑ | .062 | YES | 594 |
| 4 | 42878-6222 | ↑ | ↑ | .062 | NO | 594 |
| 5 | 42878-6224 | ↑ | ↑ | .062 | YES | 542 |
| 6 | 42878-6226 | ↑ | ↑ | .062 | NO | 542 |
| 7 | 42878-6264 | ↑ | ↑ | .125 | YES | 595 |
| 8 | 42878-6266 | ↑ | ↑ | .125 | NO | 595 |
| 9 | 42878-6268 | ↑ | ↑ | .125 | YES | 594 |
| 10 | 42878-6270 | ↑ | ↑ | .125 | NO | 594 |
| 11 | 42878-6272 | ↑ | ↑ | .125 | YES | 542 |
| 12 | 42878-6274 | ↑ | 6 | .125 | NO | 542 |
| 13 | 42878-6360 | ↑ | 4 | .062 | YES | 595 |
| 14 | 42878-6362 | ↑ | ↑ | .062 | NO | 595 |
| 15 | 42878-6364 | ↑ | ↑ | .062 | YES | 594 |
| 16 | 42878-6366 | ↑ | ↑ | .062 | NO | 594 |
| 17 | 42878-6368 | ↑ | ↑ | .062 | YES | 542 |
| 18 | 42878-6370 | ↑ | ↑ | .062 | NO | 542 |
| 19 | 42878-6408 | ↑ | ↑ | .125 | YES | 595 |
| 20 | 42878-6410 | ↑ | ↑ | .125 | NO | 595 |
| 21 | 42878-6412 | ↑ | ↑ | .125 | YES | 594 |
| 22 | 42878-6414 | ↑ | ↑ | .125 | NO | 594 |
| 23 | 42878-6416 | ↑ | ↑ | .125 | YES | 542 |
| 24 | 42878-6418 | ↑ | 4 | .125 | NO | 542 |
| 25 | 42878-6504 | ↑ | 2 | .062 | YES | 595 |
| 26 | 42878-6506 | ↑ | ↑ | .062 | NO | 595 |
| 27 | 42878-6508 | ↑ | ↑ | .062 | YES | 594 |
| 28 | 42878-6510 | ↑ | ↑ | .062 | NO | 594 |
| 29 | 42878-6512 | ↑ | ↑ | .062 | YES | 542 |
| 30 | 42878-6514 | ↑ | ↑ | .062 | NO | 542 |
| 31 | 42878-6552 | ↑ | ↑ | .125 | YES | 595 |
| 32 | 42878-6554 | ↑ | ↑ | .125 | NO | 595 |
| 33 | 42878-6556 | ↑ | ↑ | .125 | YES | 594 |
| 34 | 42878-6558 | ↑ | ↑ | .125 | NO | 594 |
| 35 | 42878-6560 | ↑ | ↑ | .125 | YES | 542 |
| 36 | 42878-6562 | 6 POS. BODY | 2 | .125 | NO | 542 |

| CHARACTERISTICS LEGEND | |
|-----------------------------------------------------------|-----------------------------------------------------------|
| EXTERNAL CONNECTOR BODY DIMENSIONS: | AVAILABLE IN 4, 6, AND 8 POSITION BODY |
| NUMBER OF CONTACT POSITIONS: | CONNECTOR SIZE 4 ACCOMMODATES 2, OR 4 TERMINALS; |
| | CONNECTOR SIZE 6 ACCOMMODATES 2, 4, OR 6 TERMINALS; |
| | CONNECTOR SIZE 8 ACCOMMODATES 2, 4, 6, 8, OR 10 TERMINALS |
| POLARIZATION OPTION: (AVAILABLE ON CONNECTOR SIZE 8 ONLY) | 'NO' = WITHOUT KEYING SLOT |
| | 'YES' = WITH KEYING SLOT |
| MOUNTING EARS OPTION: | 'YES' = PART WITH MOUNTING EARS |
| | 'NO' = PART WITHOUT MOUNTING EARS |

(SEE SHEET 1 & 2 FOR PART DESCRIPTIONS AND DIMENSIONS)

| | |
|---------------------------------------------------------------------|-------------------------------------------------------------------------------------------------------------------------------------------------------------------------------------------------------------------------------------------------------------------------------------------------------------------------------------------------------------------------------------------------------------|
| REVISIONS | REV. 1, 2, 3, 4, 5, 6, 7, 8, 9, 10, 11, 12, 13, 14, 15, 16, 17, 18, 19, 20, 21, 22, 23, 24, 25, 26, 27, 28, 29, 30, 31, 32, 33, 34, 35, 36, 37, 38, 39, 40, 41, 42, 43, 44, 45, 46, 47, 48, 49, 50, 51, 52, 53, 54, 55, 56, 57, 58, 59, 60, 61, 62, 63, 64, 65, 66, 67, 68, 69, 70, 71, 72, 73, 74, 75, 76, 77, 78, 79, 80, 81, 82, 83, 84, 85, 86, 87, 88, 89, 90, 91, 92, 93, 94, 95, 96, 97, 98, 99, 100 |
| ASSEMBLY, VERTICAL LOW PROFILE MODULAR JACKS (CONNECTOR SIZE 4 & 6) | REV. 0 |
| MOLEX INCORPORATED | DATE 04/09/92 |
| SEE CHART SDA-42878-*** | |
| BAP | SCALE 1 |

| | |
|---|-------------|
| D | SEE SHEET 1 |
| C | SEE SHEET 1 |
| B | SEE SHEET 1 |
| A | SEE SHEET 1 |
| I | SEE SHEET 1 |