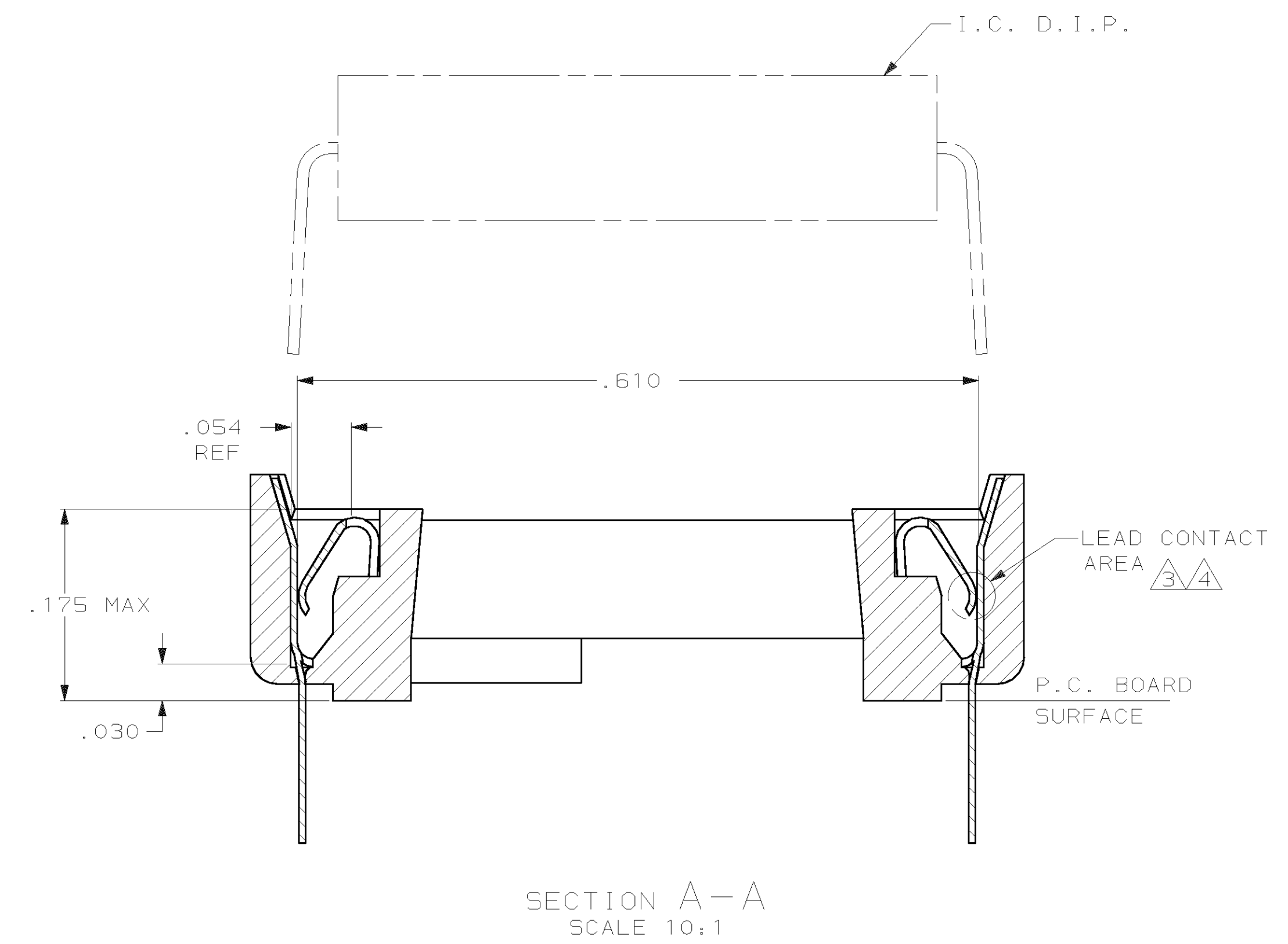
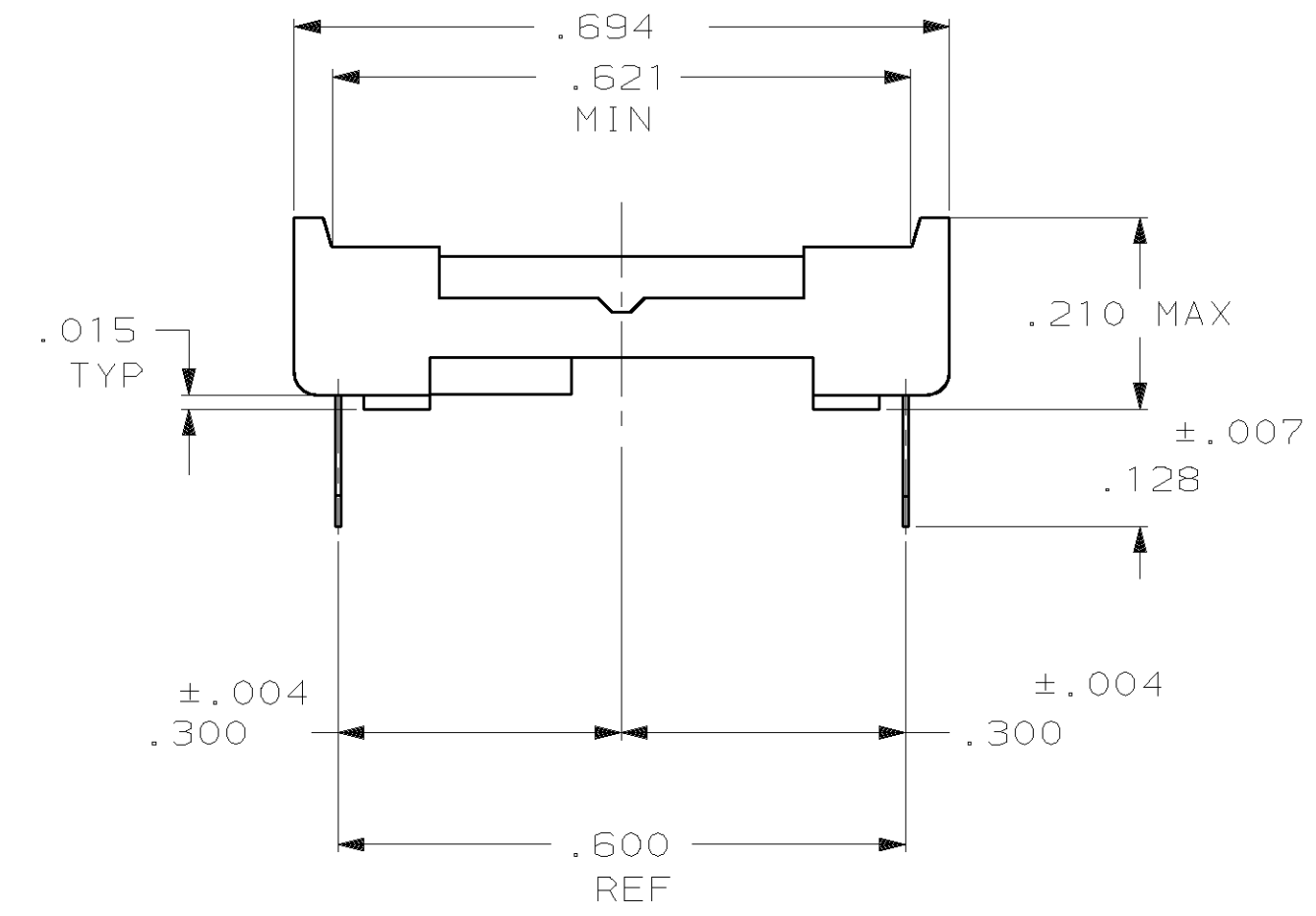
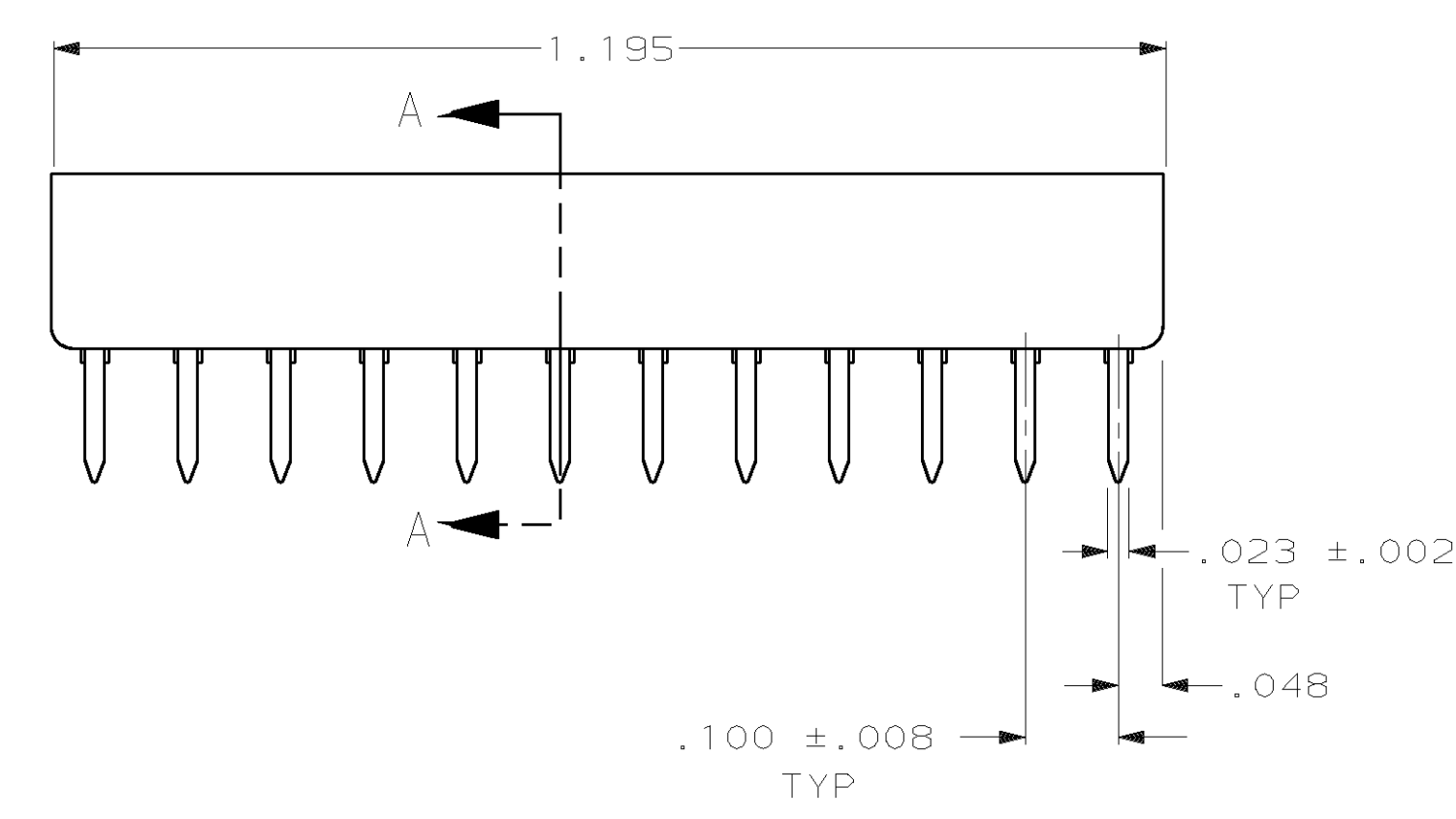
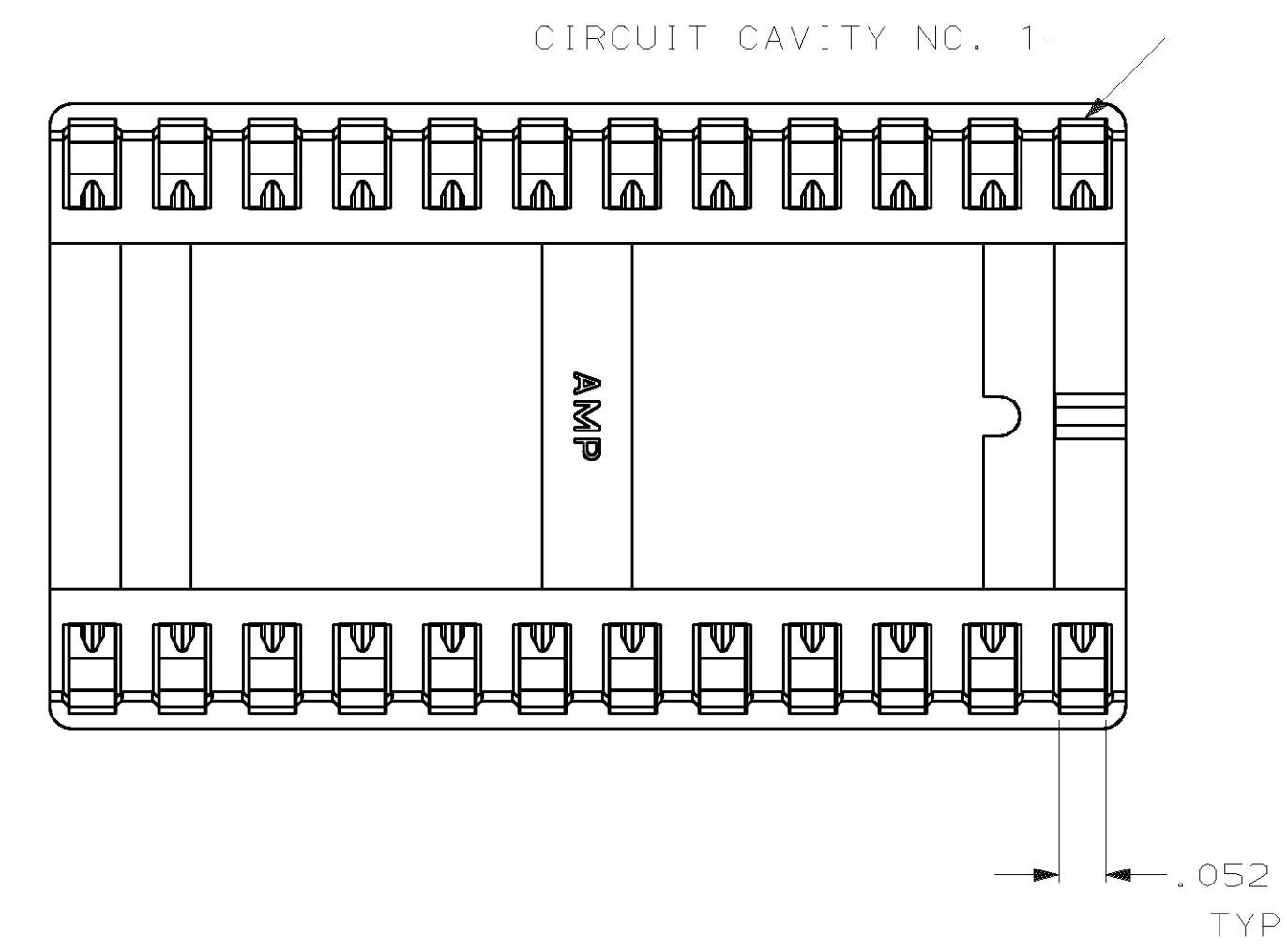
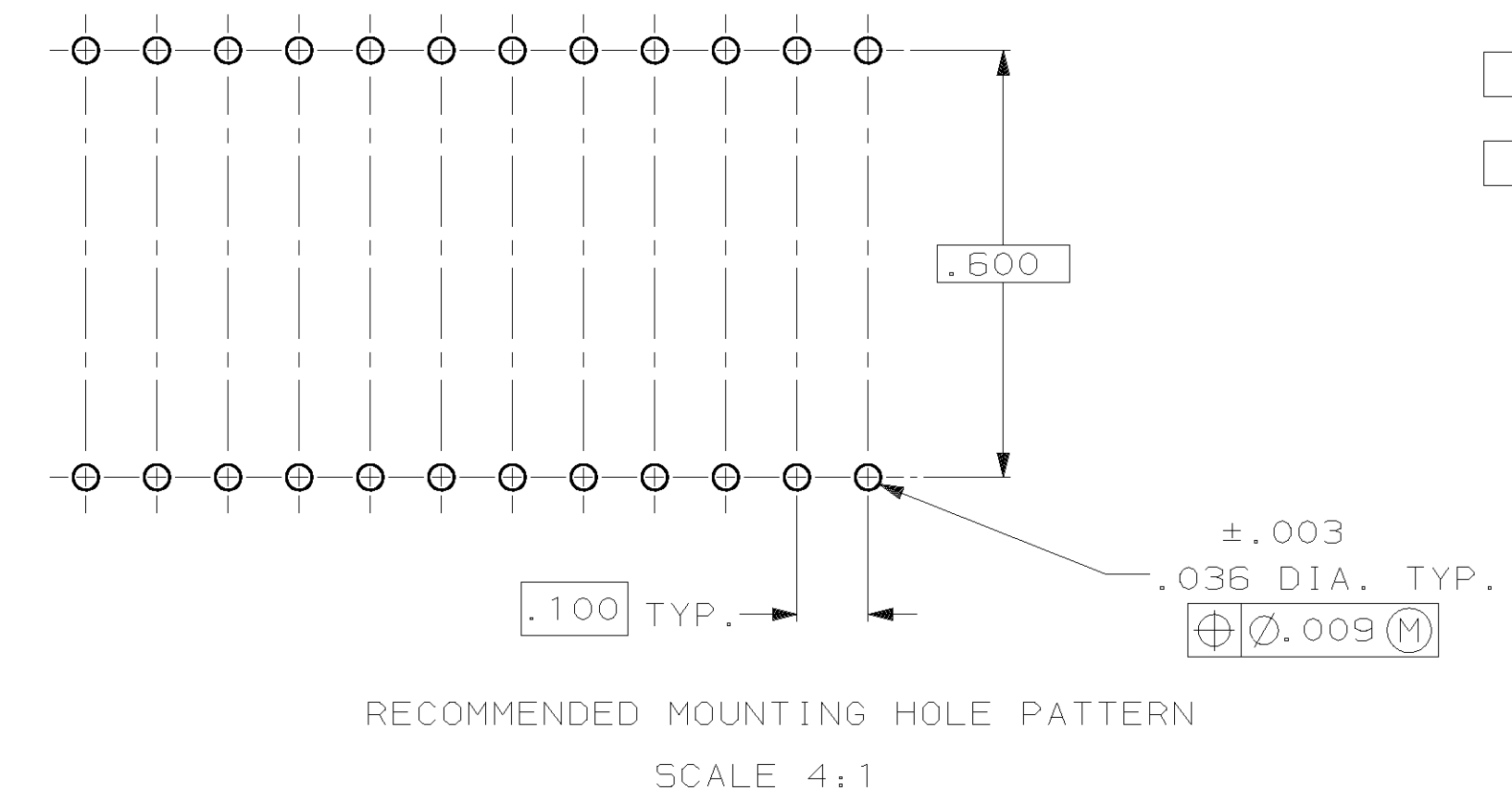


LOC		DIST		P		F		ZONE		LTR		REVISIONS		DATE	APPD
AD	0												DESCRIPTION	25SEP01	J0
													REV PER		
													OG3C-0104-01		



- RECEPTACLE ACCEPTS A .008-.014 THICK I.C. LEAD.
- TUBE LOADED FOR AUTOMATIC INSERTION.
- TWO .000030 MIN THK. GOLD STRIPES IN CONTACT AREA WITH TIN-LEAD (93/7) ON CONTACT LEGS, BALANCE OF CONTACT NICKEL PLATED.
- TWO .000015 MIN THK. GOLD STRIPES IN CONTACT AREA WITH TIN-LEAD (93/7) ON CONTACT LEGS, BALANCE OF CONTACT NICKEL PLATED.
- SPECIAL PACKAGING.
- SEE RESTRICTED CUSTOMER DRAWING 3-641604-1, FOR PART NUMBERS 3-641604-1, & 3-641604-3.



SUPSD BY 390262-1	TINNED	BE.CU. .006 THK	GLASS-FILLED THERMOPLASTIC, 94V-0, BLACK	5-641604-1
OBSOLETE	-	-	-	3-641604-3
OBSOLETE	TINNED	PHOS.BRZ. .006 THK	GLASS-FILLED THERMOPLASTIC, 94V-0, BLACK	2-641604-5
		PHOS.BRZ. .006 THK	GLASS-FILLED THERMOPLASTIC, 94V-0, BLACK	2-641604-4
SUPSD BY 390262-1	TINNED	PHOS.BRZ. .006 THK	GLASS-FILLED THERMOPLASTIC, 94V-0, BLACK	2-641604-3
		BE.CU. .006 THK	GLASS-FILLED THERMOPLASTIC, 94V-0, BLACK	2-641604-2
SUPSD BY 390262-1	TINNED	BE.CU. .006 THK	GLASS-FILLED THERMOPLASTIC, 94V-0, BLACK	2-641604-1
	CONTACT FINISH	CONTACT MAT'L	HOUSING MATERIAL	PART NO.

UNLESS OTHERWISE SPECIFIED DIMENSIONS ARE IN INCHES TOLERANCES ON:		DR	PART NO	
2 PL DEC ±.005		8-17-87	AMP INCORPORATED	
3 PL DEC ±.005		M. CYRUS	Harrisburg, Pa. 17105	
ANGLES ±0°30'		CHK	NAME	
		8-31-87	SOCKET ASSY, DIP, LADDER,	
		R. MILLER	24 POS, DIPLOMATE DL	
MATERIAL	SEE TABLE	APPD	SIZE	FSCM NO
		9-4-87	D	00779
		J. LAMBERT	DRAWING NO	641604
		APPD	SCALE	5:1
		9-4-87		
		J. GRAY		
FINISH	SEE TABLE	PRODUCT SPEC		
		108-1066		
		APPLICATION SPEC		
		114-1049		
		WEIGHT		
		-		
			SHEET	1 OF 1