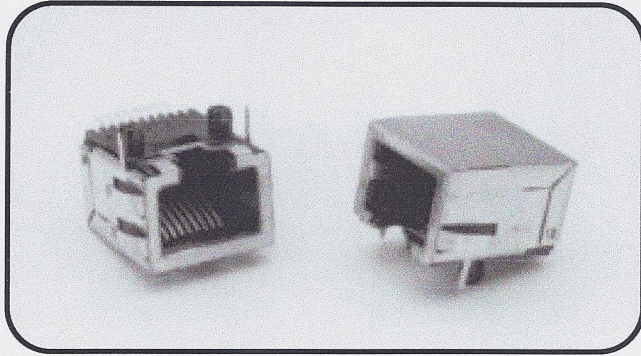


MODULAR JACK CONNECTORS

MAXCONN - (Back to Table of Contents)

MJLSS Series

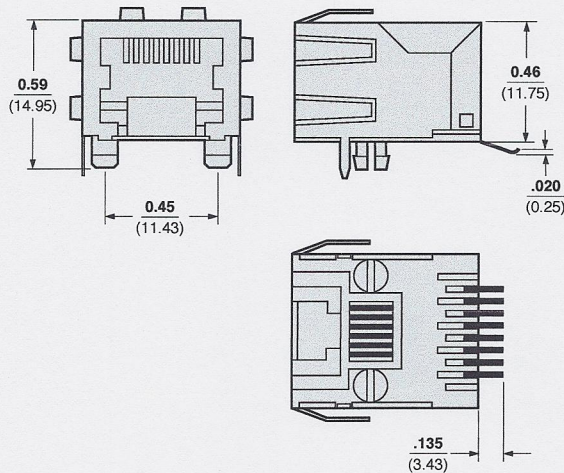
Ultra-Low Profile, (.460 Height)
Surface Mount, Shielded, Non-Shielded



FEATURES

- UL and CSA approved E107337 and E145613
- Fully shielded
- Enhanced grounding flange
- Available in 4, 6, 8 or 10 contacts
- Surface mount
- High temperature plastic

DIMENSIONS



Performance Specifications

Materials and Finish

Housing: Glass filled polyester, Zytel FR50, UL 94V-0 rated, black

Contacts: 0.35mm Phosphor bronze, gold plated with tin leads over nickel

Shielding: 0.25mm thickness copper alloy plated with 90 microinch tin

Mechanical Characteristics

Durability: 1000 mating cycles

Electrical Characteristics

Current/Voltage: 150 Vac at 1.5 amps maximum at 25°C

Dielectric Withstanding Voltage: 1000 Vac RMS minimum, 60 Hz

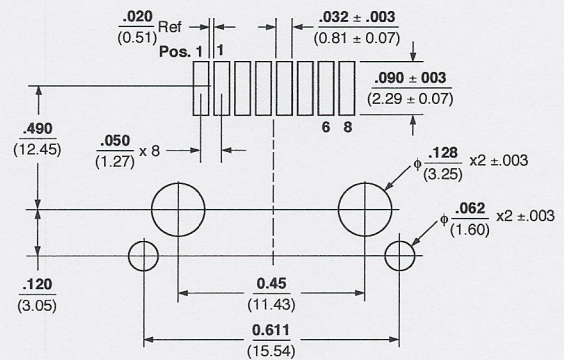
Insulation Resistance: 500 megohms minimum

Contact Resistance: 30 milliohms maximum

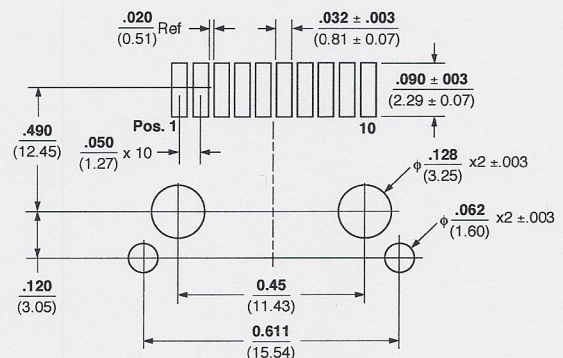
Operating Temperature: -40°C to +125°C

Melting Point: 250 to 260°C

PCB Layout — 6P6C and 8P8C Top View

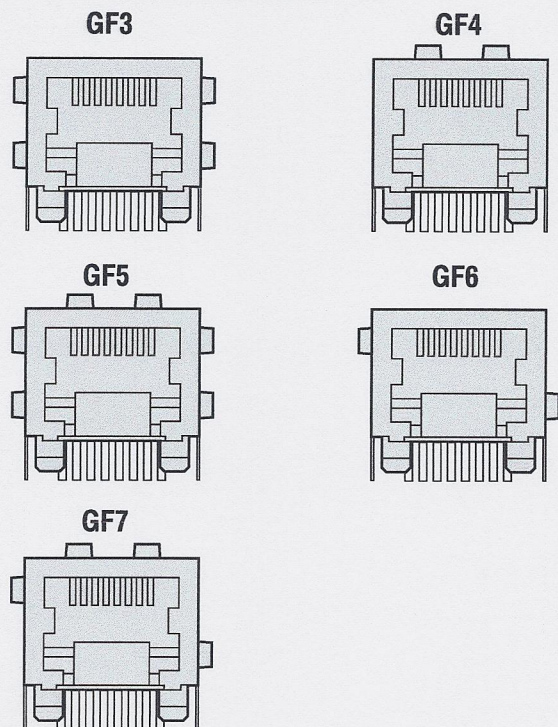


PCB Layout — 8P10C Top View



MODULAR JACK CONNECTORS

MJLSS Series
Ultra-Low Profile (.460 height)
Surface Mount
Fully Shielded and Non-shielded
with Enhanced Grounding Flanges



MAXCONN - (Back to Table of Contents)

HOW TO ORDER

MJLS - S - 8 8 - ST - GF3 - 30

Series
Shielded

SMT
S — Surface mount

Number of Positions
4, 6, 8

Number of Contacts
2, 4, 6, 8, 10

PCB Options
 ST — Solder Tab
 STP — Solder tab with PCB locator
 Blank — Standard through hole pin

***Panel Grounding Flange**
 Blank No grounding flange
 GF3 Ground tabs (2 both sides)
 GF4 Ground tabs (2 per top, 0 sides)
 GF5 Grounding (top/sides)
 GF6 Ground tabs (1 top left, 1 bottom right)
 GF7 Ground tabs (2 top, 1 top left, 1 bottom right)

Plating (Gold)
 Blank — 15 microinch
 30 — 30 microinch
 (Standard)
 50 — 50 microinch

*Panel grounding options only available in 8-position cavity.