

motor CAPACITORS

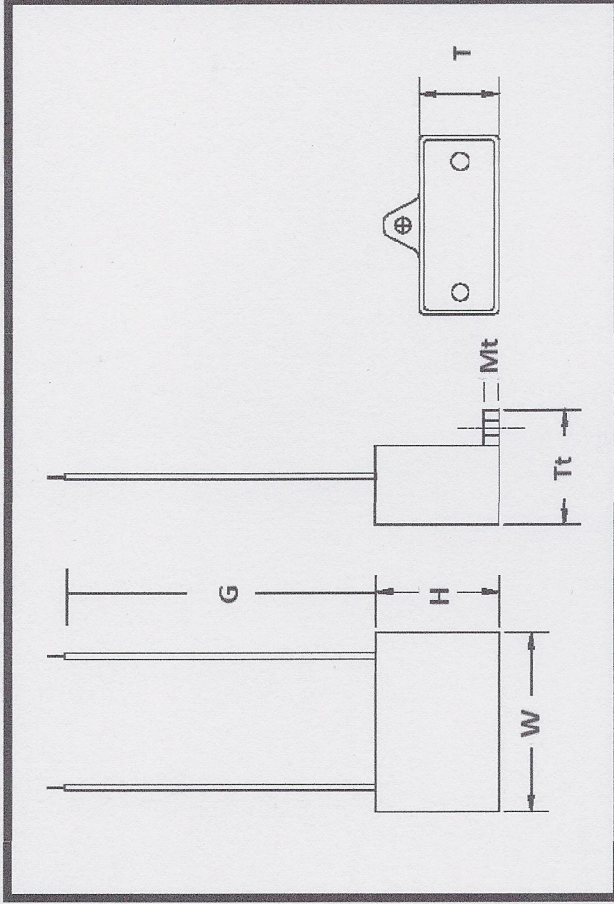
Part Number	ADP250M206J	Revision	
Customer P/N	195-102-0250	Revision	A
Capacitance	20 uF.	Tolerance	5%
Voltage	250 VAC		
Dielectric	Metallized Polypropylene		
Terminal Type	Insulated Wire Leads		
Operating Temperature	-40	85 °C.	
Dissipation Factor	0.001	maximum	@ 60 Hz.

Dimension	Tolerance
Width (W)	0.03
Thickness (T)	0.03
Height (H)	0.03
Total Thickness (Tt)	0.06
Wire Length (G)	0.50
Wire Gauge (Gw)	20
Wire Color (Cw)	Black
Mounting Tab Thickness (Mt)	0.16

Dimensions in inches

Stamping

Logo/ADP
20 uF 5% 250 VAC
-40 - +85 C.
50 - 60 Hz.
Motor Cap - CBB61
195-102-0250
E162459 UL cUL RoHS



UL Recognized Component
Engineer _____
Date _____