

INTERNATIONAL RECTIFIER

1N3085, 1N3111, 1N5162 SERIES 150 Amp Avg Silicon Rectifier Diodes

Major Ratings and Characteristics

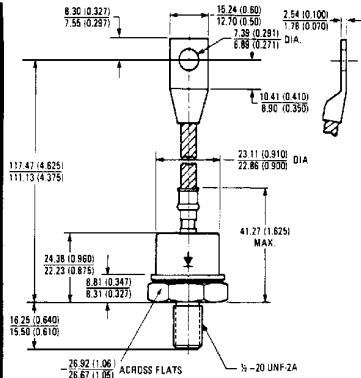
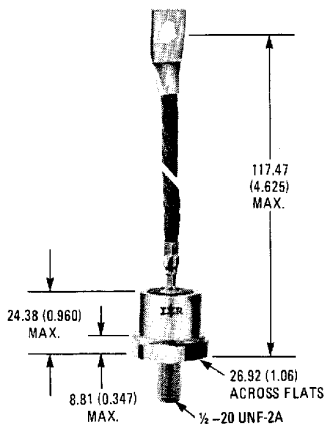
	1N3111	1N3085	1N5162	Units
$I_{F(AV)}$		150*		A
@ Max. T_C		150*		°C
I_{FSM} @ 50 Hz		2,850		A
@ 60 Hz		3,000*		
t^2_t @ 50 Hz		41,000		A ² s
@ 60 Hz		37,500		
I^2_{VT}		580,000		A ² V ² /s
V_{RRM} Range	50	100 – 1000	1200	V

*JEDEC registered value

Description and Features

- Alloy junction for soft recovery characteristics
- Rugged device for duty cycle applications
- Reverse voltage ratings up to 1200 volts
- Applications include power rectification in extreme environmental conditions

CASE STYLE AND DIMENSIONS



Conforms to JEDEC Outline DO-295AC IDO-30
All dimensions in Millimeters and (Inches)

VOLTAGE RATINGS

① Part Number	V_{RRM} Max. Repetitive Peak Reverse Voltage (V)	V_R Max. Direct Reverse Voltage (V)	$I_{R(AV)}$ Max. Average Reverse Current at Max. Rated $I_{F(AV)}$ and V_{RRM} . $T_C = 150^\circ\text{C}$ 1 Phase Operation (mA)
	$T_C = -65^\circ\text{C}$ to 200°C	$T_C = -65^\circ\text{C}$ to 200°C	
1N3111	50*	40*	25*
1N3085	100*	80*	25*
1N3086	200*	160*	17*
1N3087	300*	240*	17*
1N3088	400*	320*	17*
1N3089	500*	400*	17*
1N3090	600*	480*	17*
1N3091	800*	640*	16*
1N3092	1000*	800*	12*
1N5162	1200*	960*	10*

ELECTRICAL SPECIFICATIONS

		1N3111, 1N3085, 1N5162 Series	Units	Conditions
$I_{F(AV)}$	Max. average forward current	150*	A	180° sinusoidal conduction Max. $T_C = 150^\circ\text{C}$
I_{FSM}	Max. peak one-cycle non-repetitive surge current	2,850	A	Half cycle 50 Hz sine wave or 6 ms rectangular pulse
		3,000*		Following any rated load condition and with rated V_{RRM} applied
		3,400		Half cycle 60 Hz sine wave or 5 ms rectangular pulse
		3,550		Half cycle 60 Hz sine wave or 5 ms rectangular pulse
I^2t	Max. I^2t for fusing	41,000	A ² s	t = 10 ms With rated V_{RRM} applied following surge, initial T = 200°C .
		37,500		t = 8.3 ms
	Max. I^2t for individual device fusing	58,000		t = 10 ms With $V_{RRM} = 0$ following surge.
		53,000		t = 8.3 ms initial T = 200°C
I^2t	Max. I^2t for individual device fusing ①	580,000	A ² /s	t = 0.1 to 10 ms, $V_{RRM} = 0$ following surge.
V_{FM}	Max. peak forward voltage	1.2*	V	$I_{F(AV)} = 150\text{ A}$ (471 A peak), $T_C = 150^\circ\text{C}$

THERMAL-MECHANICAL SPECIFICATIONS

T_C	Max. operating case temperature range	-65° to 200°	$^\circ\text{C}$
T_{stg}	Max. storage temperature range	-65° to 200°	$^\circ\text{C}$
R_{thJC}	Max. internal thermal resistance, junction-to-case	0.25*	deg C/W DC operation
R_{thCS}	Thermal resistance, case-to-sink	0.10	deg C/W Mounting surface flat, smooth, and greased
T	Mounting torque	Min. 14.1 (125)	Nm (lbf-in)
		Max. 17.0 (150)	
wt	Approximate weight	91 (3.2)	g (oz)
*	Case style	DO-205AC (DO-30)	JEDEC

① Basic part number indicates cathode-to-case. For anode-to-case, add "R" to part number, e.g. 1N3086R.

*JEDEC registered values.

① I^2t for time $t_x = I^2\sqrt{t} \cdot \sqrt{t_x}$

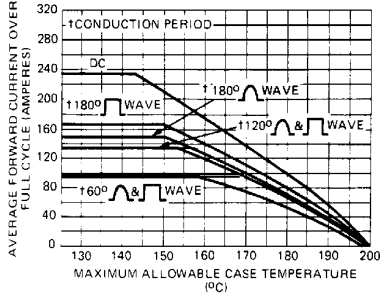


Fig. 1 – Average Forward Current Vs. Maximum Allowable Case Temperature

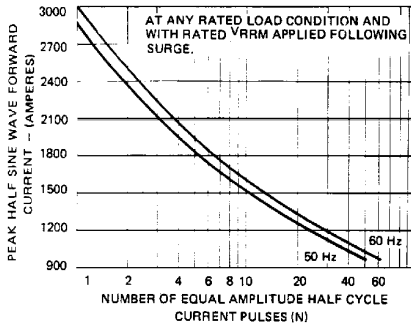


Fig. 3 – Maximum Non-Repetitive Surge Current Vs. Number of Current Pulses

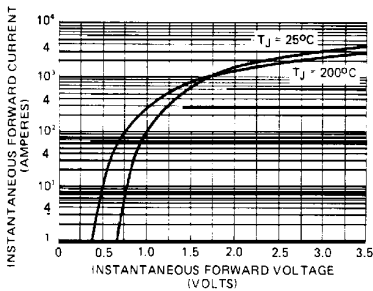


Fig. 4 – Maximum Forward Voltage Vs. Forward Current

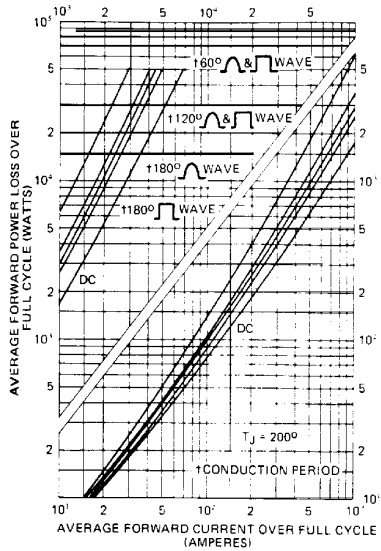


Fig. 2 – Maximum Forward Power Loss Vs. Average Forward Current

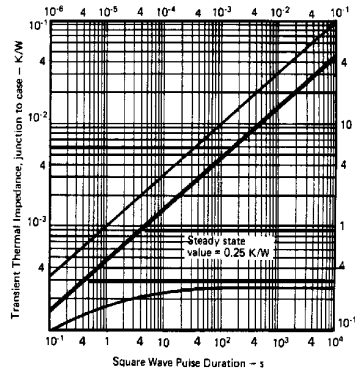


Fig. 5 – Maximum Transient Thermal Impedance, Junction-to-Case Vs. Pulse Duration