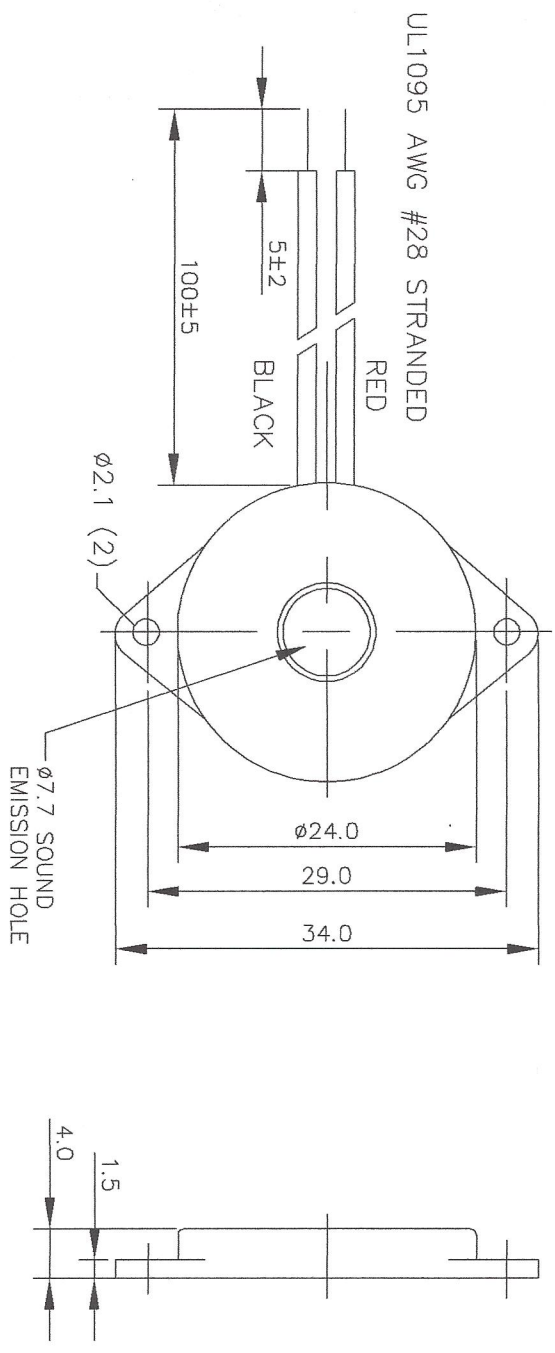


THIS DOCUMENT CONTAINS DATA PROPRIETARY TO PROJECTS UNLIMITED AND IS NOT TO BE REPRODUCED, IN ANY FORM, WITHOUT PRIOR WRITTEN PERMISSION OF PROJECTS UNLIMITED, INC. © 2003, Projects Unlimited Inc.

SPECIFICATIONS

| PARAMETERS | VALUES | UNITS |
|-----------------------------|------------|-------|
| RATED VOLTAGE (SQUARE WAVE) | 10 | Vp-p |
| OPERATING VOLTAGE RANGE | 1 ~ 30 | Vp-p |
| RATED CURRENT (MAX) | 8 | mA |
| CAPACITANCE | 12,000±30% | pF |
| MINIMUM SPL @ 10 CM | 88 | dBa |
| RESONANT FREQUENCY | 6,000±500 | Hz |
| OPERATING TEMPERATURE | -30 ~ +85 | °C |
| STORAGE TEMPERATURE | -40 ~ +95 | °C |
| HOUSING MATERIAL | ABS | - |
| TERMINAL MATERIAL | LEAD WIRE | - |
| WEIGHT | 3 | grams |

| REVISIONS | | | |
|-----------|---|---------|----------|
| LTR | DESCRIPTION | DATE | APPROVED |
| - | RELEASED FROM ENGINEERING | 5/6/02 | |
| A | REVISED TO NEW TEMPLATE | 6/15/04 | R. W. |
| B | REVISED CHART VALUES ADDED S.E. HOLE DIM. | 8/18/05 | B. R. |



UL1095 AWG #28 STRANDED


- NOTES:
1. ALL DIMENSIONS ARE IN MILLIMETERS.
 2. SPECIFICATION SUBJECT TO CHANGE OR WITHDRAWAL WITHOUT NOTICE.

FILE NAME
AT-12.DWG

UNLESS OTHERWISE SPECIFIED: DIMENSIONS ARE IN MILLIMETERS AND ANGLES ARE ±1°

| APPROVALS | DATE |
|----------------|------|
| DRAWN: RABL | 5/02 |
| APPROVED: S.J. | 5/02 |

DO NOT SCALE DRAWING


projects®
 unlimited
 Dayton, Ohio

TRANSDUCER(ELECTRO-MECH)
 AT-12

DRAWING NO.
 AT-12

SCALE: N.T.S. SHEET 1 OF 1