

Standard Radial Lead Metal Oxide Varistor

NR Series

Electrical Characteristics

NR SERIES RADIAL LEAD Part #	MAXIMUM RATINGS @ 85°C					CHARACTERISTICS @ 25°C					SAFETY APPROVALS		
	Continuous		Transient			Varistor Voltage @ Test Current *1mA		Max. Clamping Voltage @ Test Current (8x20µs)		Typical Cap. @1kHz	UL 1414	UL 1449	CSA C22.2 No.1
	V _{AC} (RMS)	V _{DC}	Energy (2ms)	Rated Power	Peak Current (1 pulse) 8x20µs	Volts	Tol ±	Volts	I _p (A)	pF			
0117NR05D 0117NR07D 0117NR10D 0117NR12D 0117NR14D 0117NR20D	75	95	2 5 11 13 20 35	0.1 0.25 0.4 0.5 0.6 1.0	400 1200 2500 3000 4500 6500	117		220 200 200 200 200 200	5 10 25 35 50 100	120 190 550 750 1000 2150		.	
0120NR05D 0120NR07D 0120NR10D 0120NR12D 0120NR14D 0120NR20D	75	100	2.5 5 12 14 20 40	0.1 0.25 0.4 0.5 0.6 1.0	400 1200 2500 3000 4500 6500	120		225 200 200 200 200 200	5 10 25 35 50 100	120 190 500 650 990 1980		.	
0150NR05D 0150NR07D 0150NR10D 0150NR12D 0150NR14D 0150NR20D	95	120	3 6 15 18 25 50	0.1 0.25 0.4 0.5 0.6 1.0	400 1200 2500 3000 4500 6500	150		265 250 250 250 250 250	5 10 25 35 50 100	85 150 400 450 750 1850		.	
0183NR05D 0183NR07D 0183NR10D 0183NR12D 0183NR14D 0183NR20D	115	150	3.5 8 18 22 30 60	0.1 0.25 0.4 0.5 0.6 1.0	400 1200 2500 3000 4500 6500	183		315 305 305 305 305 305	5 10 25 35 50 100	70 120 320 370 600 1550		.	.
0200NR05D 0200NR07D 0200NR10D 0200NR12D 0200NR14D 0200NR20D	125	165	4 9 20 23 35 70	0.1 0.25 0.4 0.5 0.6 1.0	400 1200 2500 3000 4500 6500	200	10%	355 330 330 330 330 330	5 10 25 35 50 100	70 115 290 350 595 1190	.	.	
0216NR05D 0216NR07D 0216NR10D 0216NR12D 0216NR14D 0216NR20D	135	175	4.5 10 21 25 40 75	0.1 0.25 0.4 0.5 0.6 1.0	400 1200 2500 3000 4500 6500	216		370 355 355 355 355 355	5 10 25 35 50 100	65 110 270 330 550 1100	.	.	.
0216NR20DB	130	175	72	1.0	6500	184-220		325	100	1100	.	.	.
0220NR05D 0220NR07D 0220NR10D 0220NR12D 0220NR14D 0220NR20D	140	180	4.5 10 23 26 40 75	0.1 0.25 0.4 0.5 0.6 1.0	400 1200 2500 3000 4500 6500	220		380 360 360 360 360 360	5 10 25 35 50 100	65 110 260 320 540 1100	.	.	.
0240NR05D 0240NR07D 0240NR10D 0240NR12D 0240NR14D 0240NR20D	150	200	5 11 25 28 45 80	0.1 0.25 0.4 0.5 0.6 1.0	400 1200 2500 3000 4500 6500	240		415 395 395 395 395 395	5 10 25 35 50 100	60 105 240 290 500 960	.	.	.
0240NR20DB	150	200	80	1.0	6500	216-248		360	100	920	.	.	.

*Varistor Voltage @ Test Current 1mA V_{DC}. Except NR & ZR Series Size 5D @ Test Current 0.1mA V_{DC}



90 Broadway, Buffalo, NY 14203-1687

☎: 716-854-3443 Fax: 716-854-3448

website: www.stetron.com

2651 John Street, Unit #4, Markham, Ontario L3R 2W5

☎: 905-475-6202 Fax: 905-475-1926

✉: varistors@stetron.com

Dimensions & Markings

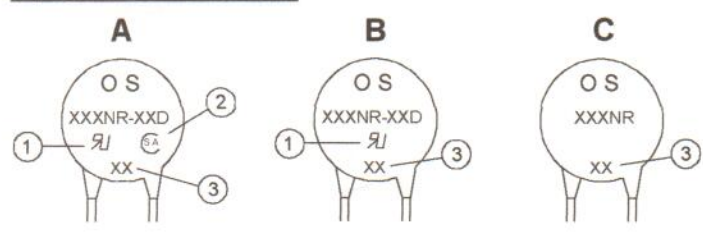
NR & ZM Series

Dimensions (mm)

NR Series Part #	D max	H max	T max	S nom	d nom	e nom	Marking Style
0117NR20D	22.0	26.0	5.5	10.0	1.0	1.7	B
0120NR20D			6.0			1.8	
0150NR20D						1.9	
0183NR20D						2.0	A
0200NR20D						2.0	B
0216NR20D						2.1	A
0220NR20D						2.1	
0240NR20D						2.2	
0250NR20D						2.3	
0270NR20D			6.5			2.4	
0283NR20D						2.4	
0330NR20D	23.0	27.0				2.7	
0350NR20D			7.0			2.8	
0360NR20D						2.8	
0383NR20D						2.9	
0390NR20D						2.9	
0416NR20D						3.1	
0430NR20D						3.2	
0450NR20D			7.5			3.2	
0470NR20D						3.3	
0500NR20D			8.0			3.5	
0550NR20D						3.5	
0620NR20D	24.0	28.0	9.5			4.2	
0680NR20D						4.4	
0700NR20D						4.5	
0750NR20D			10.0			4.7	
0765NR20D						4.8	
0780NR20D						4.9	
0800NR20D						5.0	
0820NR20D						5.1	
0850NR20D			10.5			5.2	
0910NR20D						5.5	
1000NR20D	25.0	29.0	11.0			6.0	
1100NR20D						6.5	
1400NR20D			13.0			8.0	
1800NR20D			15.0			9.5	

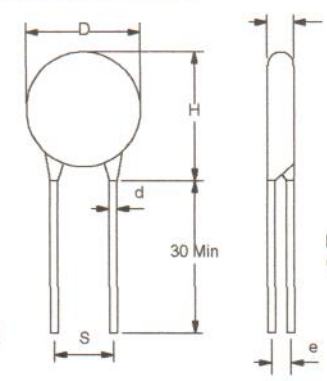
ZM Series Part #	D max	H max	T max	S nom	d nom	e nom	Marking Style
0008ZM05D	7.5	11.0	4.5	5.0	0.6	1.1	C
0012ZM05D						1.3	
0022ZM05D			5.0			1.6	
0027ZM05D						1.7	
0033ZM05D			5.5			2.0	
0039ZM05D			6.0			2.2	
0047ZM05D			6.5			2.6	
0008ZM07D	8.5	12.5	4.5			1.1	
0012ZM07D						1.3	
0022ZM07D			5.0			1.6	
0027ZM07D						1.7	
0033ZM07D			5.5			2.0	
0039ZM07D			6.0			2.2	
0047ZM07D			6.5			2.6	
0008ZM10D	12.5	16.0	5.0	7.5	0.8	1.3	
0012ZM10D						1.5	
0022ZM10D			5.5			1.8	
0027ZM10D						1.9	
0033ZM10D	13.0		6.0			2.2	
0039ZM10D			6.5			2.4	
0047ZM10D			7.0			2.8	
0022ZM14D	16.5	20.0	5.5			1.8	
0027ZM14D						1.9	
0033ZM14D	17.0	21.0	6.0			2.2	
0039ZM14D			6.5			2.4	
0047ZM14D			7.0			2.8	
0022ZM20D	23.0	26.0	6.0	10.0	1.0	2.0	
0027ZM20D						2.1	
0033ZM20D	23.5	27.0	6.5			2.4	
0039ZM20D			7.0			2.6	
0047ZM20D			7.5			3.0	

Marking Style Options NS, ZR, NR & ZM



= UL
 ^ = CSA
 ^ = Date Code (91 = 1999 January; 0N = 2000 November)

Dimensions



Lead Wire: Solder Plated Copper Wire
 Coating: Non-Flammable Green Epoxy Resin (UL94V-0)

*NS & ZM Series = 20 Min. Lead Length



90 Broadway, Buffalo, NY 14203-1687
 2651 John Street, Unit #4, Markham, Ontario L3R 2W5

☎: 716-854-3443 Fax: 716-854-3448
 ☎: 905-475-6202 Fax: 905-475-1926

website: www.stetron.com
 ✉: varistors@stetron.com