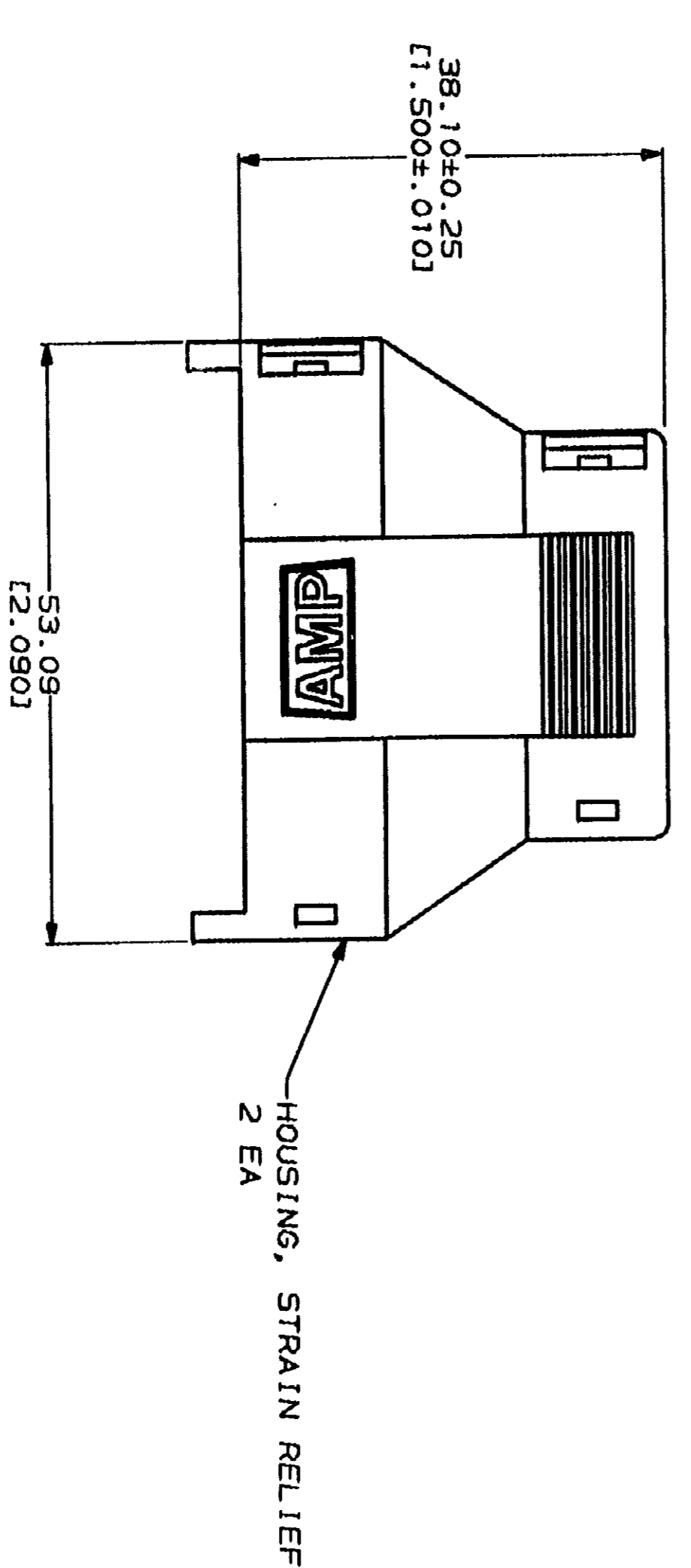
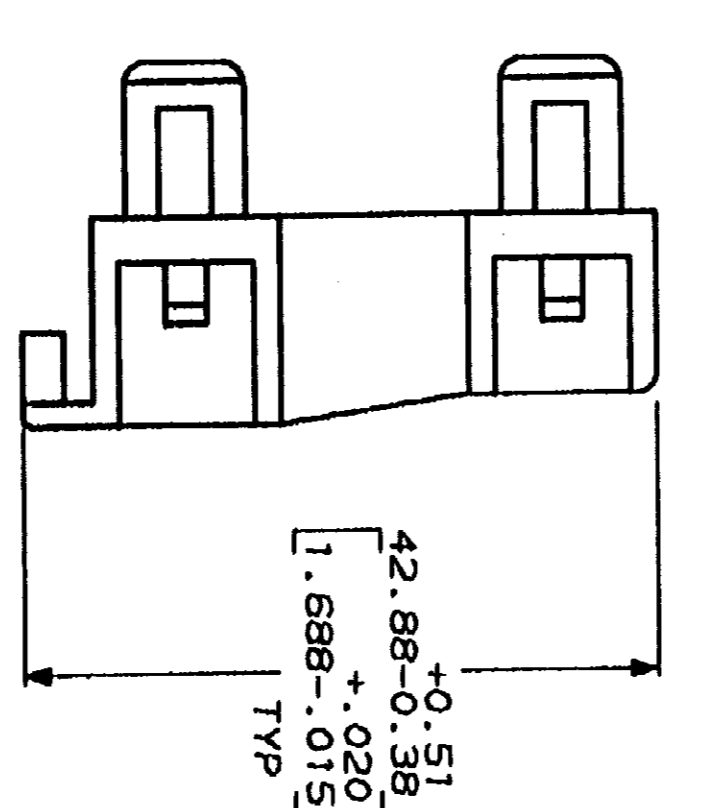
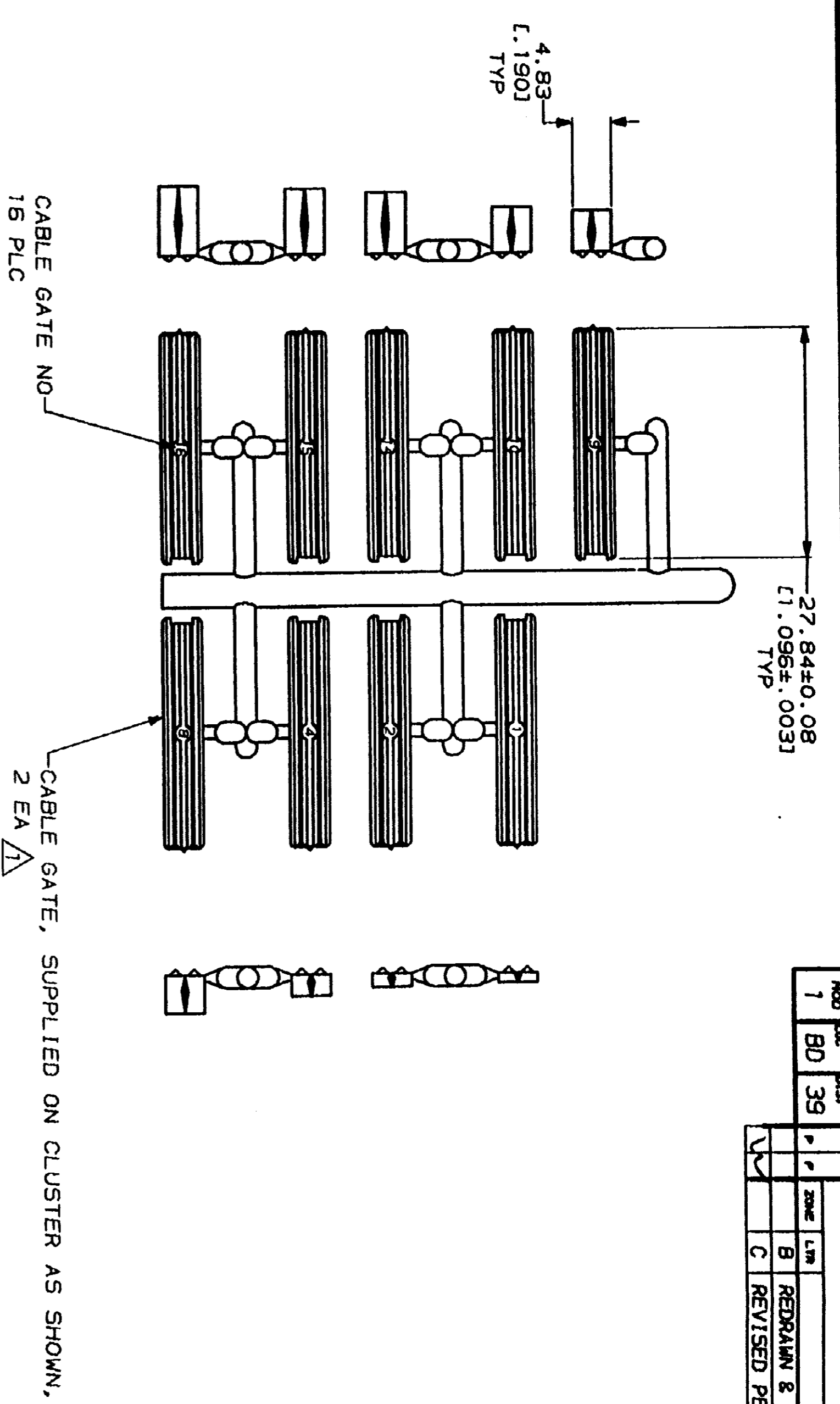


ASSEMBLED VIEW

△ A VARIETY OF CABLE GATES ARE PROVIDED TO ACCOMMODATE A VARIETY OF CUSTOMER CABLE SIZES.
 △ PLUG SHOWN FOR REFERENCE ONLY, STRAIN RELIEF CAN BE USED ON EITHER PLUG OR RECEPTACLE.



NO	REV	DATE	BY	CHK	DESCRIPTION
1	BD	39			REMAIN & REVISED, ECN B05691
					REVISED PER ECN B06085

DO NOT SCALE PRINT. UNLESS SPECIFIED DIMENSIONS IN INCHES! TOLERANCES ON 1/2 PLC DEC ± 0.131, 063 AMPLIES ±		DR 1-27-82 J KCL/LTNM	
NYLON, NATURAL RED		CHK 1-29-82 R STONE	
FINISH		APPO 1-31-82 A TRAVIS	
APPLICATION SPEC 108-10033		APPO 1-31-82 C RANDE	
SIZE D		NAME	
CASE CODE 00779		AMP	
DRAWING NO 207604		AMP Incorporated	
SCALE 2:1		Harrisburg, PA 17105-3808	
SHEET 1 OF 1		PART NO 207604-1	

CUSTOMER DRAWING