

Air moving solutions made simple

AC Fans
DC Fans
AC Blowers
DC Blowers
AC Impellers
DC Impellers
AC Motors
Accessories

Distributors
Find a Rep
Contact Us

Search

Part/Model #
 Stock Check
 Cross-Reference
 Keyword

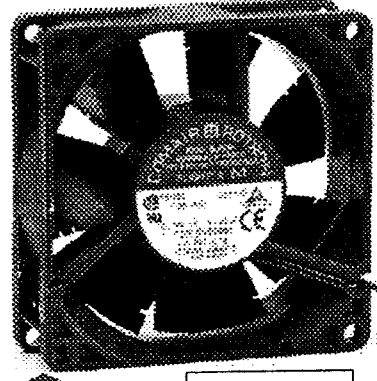
Find Fans

- More Products
- Heat Sinks
- Fan Accessories
- Engineering Tools
- Airflow Calculator
- Thermal Calculator
- Unit Conversions
- Application Notes
- Custom Solutions
- Company Info
- Contact Info
- Technical Capability
- Certifications
- Terms & Conditions
- Employment Ops

Flight II 80 - FE12K3 - 031882 - No
 (Family) (Model) (Part #) (In Stock)

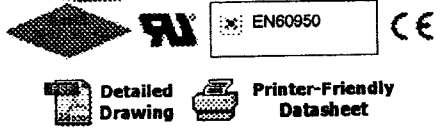
Electrical Specifications

Operating Voltage:	12 Volts
Voltage Range:	6 - 14 Volts
Power Supply:	3.0 Watts
Line Current:	0.25 Amps
Locked Rotor Current:	0.85 Amps
Nominal Speed:	4100 RPM

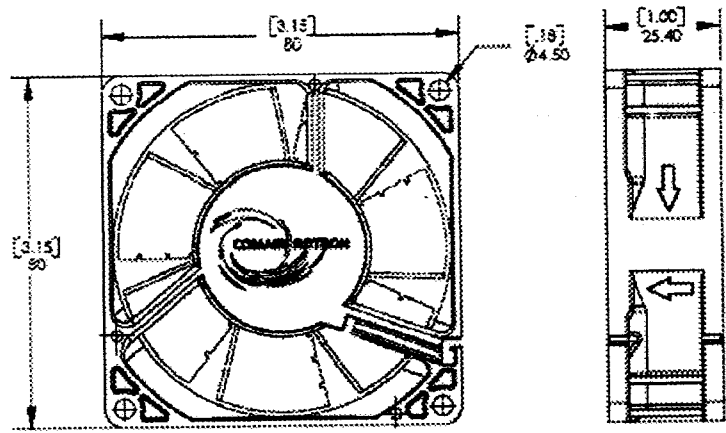


Mechanical Specifications

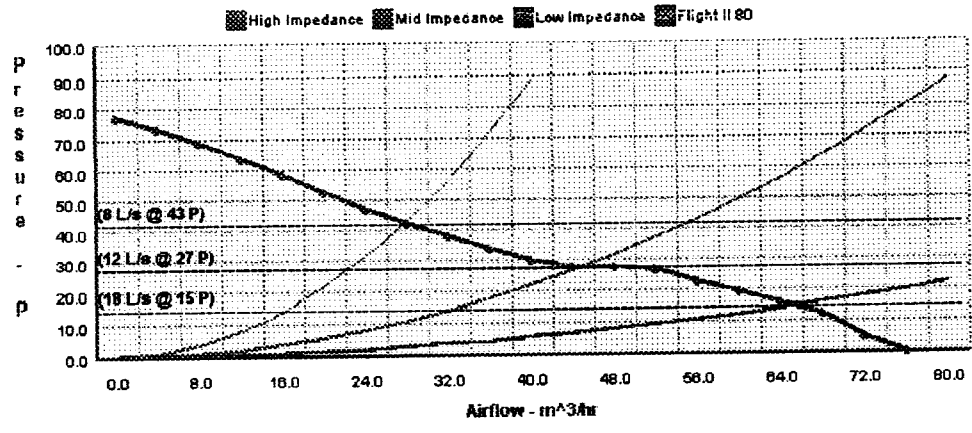
Dimensions:	80 x 80 x 25 mm
Weight:	130 g
Max Airflow @ 0 Pascal:	21.24 L/s
Max Pressure @ 0 L/s:	77.2 P
Noise:	40.8 dBA



Mechanical Drawing



Fan Performance Curve



Cal Ok
1125103

Fan Configuration Options

Flight II 80 (Family) **FE12K3 / 031882** (Model) (Part #) **No** (In Stock) **305 mm [12 inch] Leads** (Features)

Fan Speeds

- High Speed (4200 RPM)
- Full Speed (3574 RPM)
- 3/4 Speed (2737 RPM)

Fan Monitoring Options

- No Fan Monitoring Options Required
- Add Tachometer (2 pulses per revolution.)
- Add Fan Performance Sensor (FPS)

Fan Speed Control Options

- Add ThermaPro-V Fan Speed Control

Environmental Protection Options

- Add Enviroshield Environmental Protection

Fan Bearings

- Ball Bearings
- Sleeve Bearings

Fan Airflow Directions

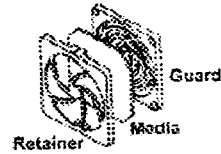
- Flow L (CW Rotation)
- Flow R (CCW Rotation)

Fan Terminations

- Leads
- Terminals

Accessories (Click on part number for detailed drawing.)

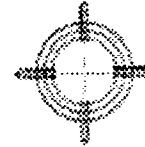
554141
Filter Guard Assembly



550648
Finger Guard



476143
Finger Guard



Comair Rotron, Inc.
Phone: 619.651.2000
sales@comairrotron.com

Comair Rotron Europe, Ltd.
Phone: +44.1527.520525
sales europe@comairrotron.com

Comair Rotron Fan Company Ltd.
Phone: +86.21.52260581
salesasia@comairrotron.com