

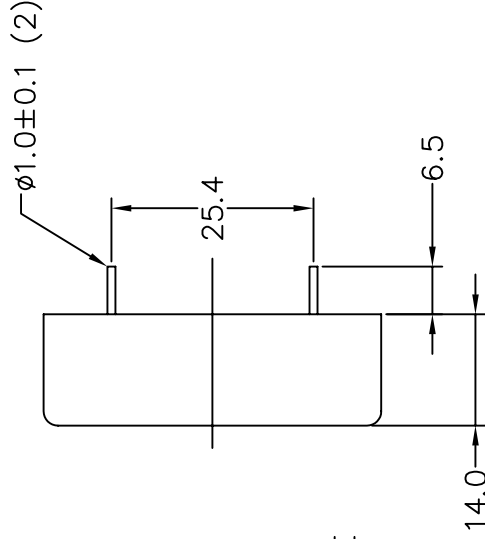
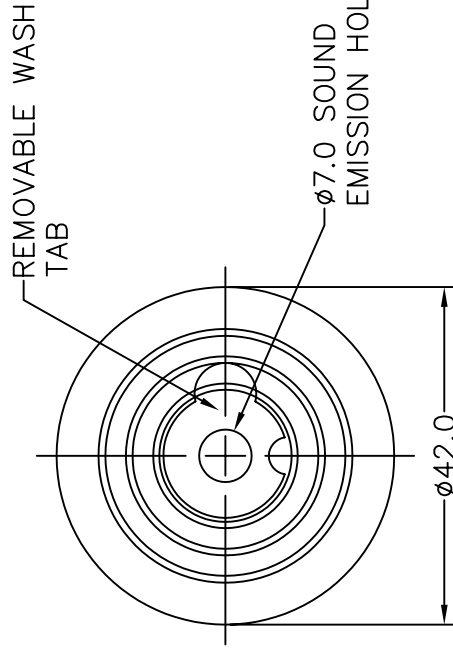
THIS DOCUMENT CONTAINS DATA PROPRIETARY TO PROJECTS UNLIMITED, INC. ANY USE OR REPRODUCTION, IN ANY FORM, WITHOUT PRIOR WRITTEN PERMISSION OF PROJECTS UNLIMITED, INC. IS PROHIBITED.  
 © 2003, Projects Unlimited Inc.

**SPECIFICATIONS**

| PARAMETERS              | VALUES           | UNITS              |
|-------------------------|------------------|--------------------|
| RATED VOLTAGE           | 12               | Vdc                |
| OPERATING VOLTAGE RANGE | 3 ~ 28           | Vdc                |
| RATED CURRENT (MAX)     | 10               | mA                 |
| MINIMUM SPL @ 10 cm     | 99               | dBA                |
| RESONANT FREQUENCY      | 2,800±500        | Hz                 |
| TONE OR PULSE RATE      | CONTINUOUS       | 0 PULSE PER SECOND |
| OPERATING TEMPERATURE   | -30 ~ +85        | °C                 |
| STORAGE TEMPERATURE     | -40 ~ +95        | °C                 |
| HOUSING MATERIAL        | ABS              | -                  |
| TERMINAL MATERIAL       | TIN-PLATED BRASS | -                  |
| WEIGHT                  | 12               | grams              |

**REVISIONS**

| LTR | DESCRIPTION                      | DATE     | APPROVED |
|-----|----------------------------------|----------|----------|
| -   | RELEASED FROM ENGINEERING        | 4/18/02  |          |
| A   | REVISED TO NEW TEMPLATE          | 2/16/05  | R.W.     |
| B   | REVISED SOUND EMISSION HOLE DIA. | 10/18/05 | B.R.     |



**NOTES:**

1. ALL DIMENSIONS ARE IN MILLIMETERS.
2. SPECIFICATION SUBJECT TO CHANGE OR WITHDRAWAL WITHOUT NOTICE.

|  |      |
|--|------|
| UNLESS OTHERWISE SPECIFIED: DIMENSIONS ARE IN MILLIMETERS. TOLERANCES ARE $\pm 0.5$ AND ANGLES ARE $\pm 3^\circ$ . |      |
| APPROVALS  | DATE |
| DRAWN R.A.C.   | 4/02 |
| CHECKED  |      |
| APPROVED R.W.  | 6/02 |
| DO NOT SCALE DRAWING   |      |

|               |                       |
|---------------|-----------------------|
|               | Dayton, Ohio          |
|               | INDICATOR<br>AI-400   |
| SIZE<br>A     | DRAWING NO.<br>AI-400 |
| SCALE: N.T.S. | SHEET 1 OF 1          |

FILE NAME  
AI-400.DWG