

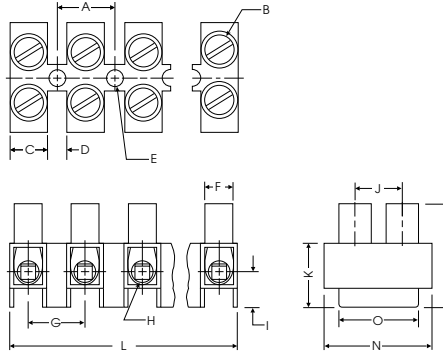
# FEED-THROUGH EUROSTRIPS® 300V and 600V Standoff Feet Panel Mount

For wire-to-wire connections in HVAC, appliance, equipment, power distribution and other industrial applications with restricted budget and space requirements.

Easy to use double row terminal strips are a cost-effective alternative to barrier strips or other types of terminal blocks. Simply strip the wire, insert, and tighten the screw.<sup>a</sup> Eurostrips® feature tubular screw clamps, with or without wire protectors, and recessed screws and contacts to prevent shocks and shorts. The wire protectors include an integral wire stop in the center of the terminal. The stainless steel wire protectors exhibit excellent memory and the wire stop insures the most efficient connection.

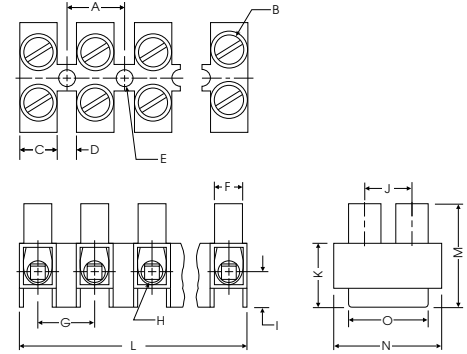
Eurostrips described on this and the following page are available with standoff feet for increased wiring efficiency. They can be panel mounted or left to free float. Offered in easy to cut 12 pole strips, they can also be ordered precut with the required number of poles.

- Tubular Screw Clamp
- With or Without Wire Protectors
- Panel Mount or Free Float
- Housing Material: Polyamide 6.6
- Color: Opaque White
- Marking Plates or Factory Imprinted



## TSF1.5

Standoff Feet  
Pole Spacing 8mm (.315)  
Mounting Hole Diameter 2.8mm (.110)  
Stripping Length 5mm (.197)



## TSF2.5

Standoff Feet  
Pole Spacing 10mm (.394)  
Mounting Hole Diameter 3.5mm (.138)  
Stripping Length 6mm (.236)

### Ratings

IEC/VDE

UL (File No. E148805)

CSA (File No. LR38962)

### Wire Range

1.5mm<sup>2</sup>

22-12 AWG

22-16 AWG

### Current

18A

20A

15A

### Voltage

380V

600V

300V

### Wire Range

2.5mm<sup>2</sup>

22-10 AWG

18-12 AWG

### Current

26A

30A

30A

### Voltage

380V

600V

600V

Ordering Information		No. of Poles	Type	Cat. No.	Length (L) mm (in.)	Std. Pk.	Type	Cat. No.	Length (L) mm (in.)	Std. Pk.
<b>Eurostrip®, Standoff Feet with Wire Protector</b>		2	TSF1.5/2wp	<b>40.102</b>	13.6 ( .53)	100	TSF2.5/2wp	<b>40.302</b>	17.0 ( .67)	100
		3	TSF1.5/3wp	<b>40.103</b>	21.5 ( .85)	100	TSF2.5/3wp	<b>40.303</b>	27.0 (1.06)	100
		4	TSF1.5/4wp	<b>40.104</b>	29.5 (1.16)	100	TSF2.5/4wp	<b>40.304</b>	37.0 (1.46)	100
		5	TSF1.5/5wp	<b>40.105</b>	37.4 (1.47)	100	TSF2.5/5wp	<b>40.305</b>	47.0 (1.85)	100
		6	TSF1.5/6wp	<b>40.106</b>	45.4 (1.79)	50	TSF2.5/6wp	<b>40.306</b>	57.0 (2.24)	50
		7	TSF1.5/7wp	<b>40.107</b>	53.3 (2.10)	50	TSF2.5/7wp	<b>40.307</b>	67.0 (2.64)	50
		8	TSF1.5/8wp	<b>40.108</b>	61.3 (2.41)	50	TSF2.5/8wp	<b>40.308</b>	77.0 (3.03)	50
		9	TSF1.5/9wp	<b>40.109</b>	69.2 (2.72)	50	TSF2.5/9wp	<b>40.309</b>	87.0 (3.43)	50
		10	TSF1.5/10wp	<b>40.110</b>	77.2 (3.04)	50	TSF2.5/10wp	<b>40.310</b>	97.0 (3.82)	50
		11	TSF1.5/11wp	<b>40.111</b>	85.1 (3.35)	50	TSF2.5/11wp	<b>40.311</b>	107.0 (4.21)	50
		12	TSF1.5/12wp	<b>40.112</b>	93.0 (3.66)	50	TSF2.5/12wp	<b>40.312</b>	117.0 (4.61)	50
<b>Eurostrip®, Standoff Feet without Wire Protector<sup>b</sup></b>		2	TSF1.5/2	<b>40.152</b>	13.6 ( .53)	100	TSF2.5/2	<b>40.352</b>	17.0 ( .67)	100
		3	TSF1.5/3	<b>40.153</b>	21.5 ( .85)	100	TSF2.5/3	<b>40.353</b>	27.0 (1.06)	100
		4	TSF1.5/4	<b>40.154</b>	29.5 (1.16)	100	TSF2.5/4	<b>40.354</b>	37.0 (1.46)	100
		5	TSF1.5/5	<b>40.155</b>	37.4 (1.47)	100	TSF2.5/5	<b>40.355</b>	47.0 (1.85)	50
		6	TSF1.5/6	<b>40.156</b>	45.4 (1.79)	50	TSF2.5/6	<b>40.356</b>	57.0 (2.24)	50
		7	TSF1.5/7	<b>40.157</b>	53.3 (2.10)	50	TSF2.5/7	<b>40.357</b>	67.0 (2.64)	50
		8	TSF1.5/8	<b>40.158</b>	61.3 (2.41)	50	TSF2.5/8	<b>40.358</b>	77.0 (3.03)	50
		9	TSF1.5/9	<b>40.159</b>	69.2 (2.72)	50	TSF2.5/9	<b>40.359</b>	87.0 (3.43)	50
		10	TSF1.5/10	<b>40.160</b>	77.2 (3.04)	50	TSF2.5/10	<b>40.360</b>	97.0 (3.82)	50
		11	TSF1.5/11	<b>40.161</b>	85.1 (3.35)	50	TSF2.5/11	<b>40.361</b>	107.0 (4.21)	50
		12	TSF1.5/12	<b>40.162</b>	93.0 (3.66)	50	TSF2.5/12	<b>40.362</b>	117.0 (4.61)	50

### For Accessories, please refer to pages 50, 51

#### Dimensions mm (in.)

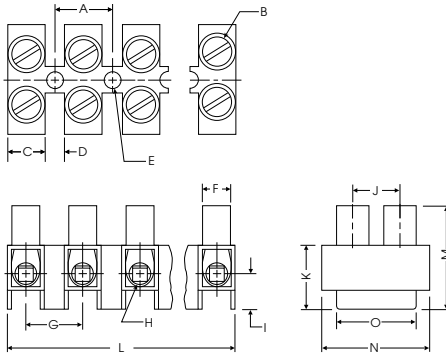
A = 8.0 (.315)	E = Ø2.8 (.110)	J = 7.5 (.296)
B = M2.5 x 4.3	F = Ø5.35 (.211)	K = 10.1 (.398)
C = 5.6 (.221)	G = 8.0 (.315)	M = 17.0 (.670)
D = 2.4 (.095)	H = Ø3.0 (.118)	N = 18.2 (.716)
	I = 6.1 (.240)	O = 12.0 (.472)

#### Dimensions mm (in.)

A = 10.0 (.394)	E = Ø3.5 (.138)	J = 9.5 (.374)
B = M3 x 5.8	F = Ø5.7 (.225)	K = 12.0 (.472)
C = 6.4 (.252)	G = 10.0 (.394)	M = 19.4 (.764)
D = 3.5 (.138)	H = Ø3.6 (.142)	N = 22.3 (.879)
	I = 7.4 (.292)	O = 14.0 (.552)

<sup>a</sup>Clamp screws are zinc chromated steel. Stainless steel or nickel plated brass screws are available, consult Altech for ordering information.

<sup>b</sup>Use for solid wire or wire with a ferrule.



## TSF6

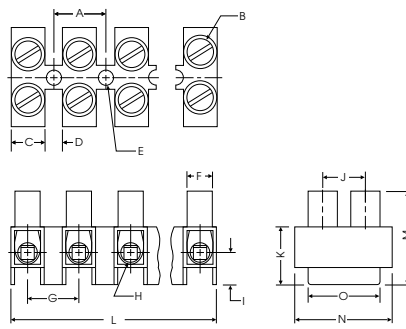
Standoff Feet  
 Pole Spacing 12mm (.472)  
 Mounting Hole Diameter 4.2mm (.165)  
 Stripping Length 7mm (.276)

Wire Range	Current	Voltage
6mm <sup>2</sup>	44A	380V
20-8 AWG	40A	600V
18-10 AWG	40A	600V

Type	Cat. No.	Length (L) mm (in.)	Std. Pk.
TSF6/2wp	40.502	20.0 (.79)	100
TSF6/3wp	40.503	32.0 (1.26)	100
TSF6/4wp	40.504	44.0 (1.73)	100
TSF6/5wp	40.505	56.0 (2.21)	100
TSF6/6wp	40.506	68.0 (2.68)	50
TSF6/7wp	40.507	80.0 (3.15)	50
TSF6/8wp	40.508	92.0 (3.62)	50
TSF6/9wp	40.509	104.0 (4.10)	50
TSF6/10wp	40.510	116.0 (4.57)	25
TSF6/11wp	40.511	128.0 (5.03)	25
TSF6/12wp	40.512	140.0 (5.51)	25
TSF6/2	40.552	20.0 (.79)	100
TSF6/3	40.553	32.0 (1.26)	100
TSF6/4	40.554	44.0 (1.73)	100
TSF6/5	40.555	56.0 (2.21)	100
TSF6/6	40.556	68.0 (2.68)	50
TSF6/7	40.557	80.0 (3.15)	50
TSF6/8	40.558	92.0 (3.62)	50
TSF6/9	40.559	104.0 (4.10)	50
TSF6/10	40.560	116.0 (4.57)	25
TSF6/11	40.561	128.0 (5.03)	25
TSF6/12	40.562	140.0 (5.51)	25

### Dimensions mm (in.)

A = 12.0 (.472)	E = Ø4.4 (.173)	J = 9.6 (.378)
B = M3.5 x 7	F = Ø6.8 (.268)	K = 12.5 (.492)
C = 7.6 (.299)	G = 12.0 (.472)	M = 20.9 (.823)
D = 4.3 (.169)	H = 4.2 (.165)	N = 23.0 (.906)
	I = 8.5 (.335)	O = 15.8 (.622)



## TSF16

Standoff Feet  
 Pole Spacing 15.1mm (.595)  
 Mounting Hole Diameter 4.0mm (.157)  
 Stripping Length 8mm (.315)

Wire Range	Current	Voltage
16mm <sup>2</sup>	82A	660V
14-6 AWG	63A	600V
18-6 AWG	65A	600V

Type	Cat. No.	Length (L) mm (in.)	Std. Pk.
TSF16/2wp	40.702	25.0 (.98)	40
TSF16/3wp	40.703	40.0 (1.58)	40
TSF16/4wp	40.704	55.0 (2.17)	40
TSF16/5wp	40.705	70.5 (2.28)	40
TSF16/6wp	40.706	86.0 (3.39)	20
TSF16/7wp	40.707	101.0 (3.98)	20
TSF16/8wp	40.708	116.0 (4.57)	20
TSF16/9wp	40.709	131.0 (5.16)	10
TSF16/10wp	40.710	146.0 (5.75)	10
TSF16/11wp	40.711	161.0 (6.34)	10
TSF16/12wp	40.712	176.0 (6.93)	10
TSF16/2	40.752	25.0 (.98)	40
TSF16/3	40.753	40.0 (1.58)	40
TSF16/4	40.754	55.0 (2.17)	40
TSF16/5	40.755	70.5 (2.28)	40
TSF16/6	40.756	86.0 (3.39)	20
TSF16/7	40.757	101.0 (3.98)	20
TSF16/8	40.758	116.0 (4.57)	20
TSF16/9	40.759	131.0 (5.16)	10
TSF16/10	40.760	146.0 (5.75)	10
TSF16/11	40.761	161.0 (6.34)	10
TSF16/12	40.762	176.0 (6.93)	10

### Dimensions mm (in.)

A = 15.1 (.595)	E = Ø4.2 (.165)	J = 11.0 (.433)
B = M5 x 8	F = Ø8.0 (.315)	K = 16.5 (.650)
C = 9.6 (.378)	G = 15.1 (.595)	M = 25.8 (1.017)
D = 5.4 (.213)	H = Ø6.0 (.236)	N = 26.3 (1.035)
	I = 10.4 (.410)	O = 15.1 (.595)