

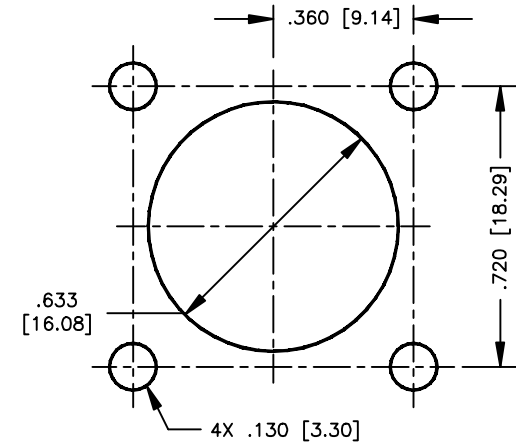
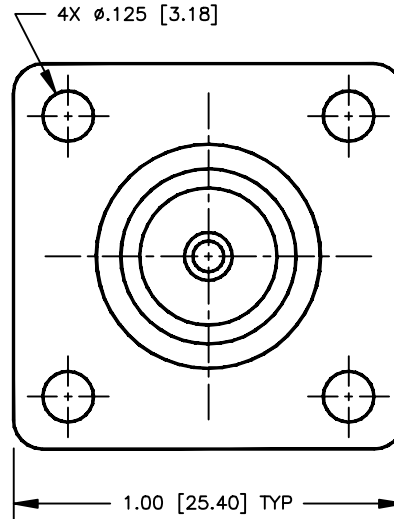
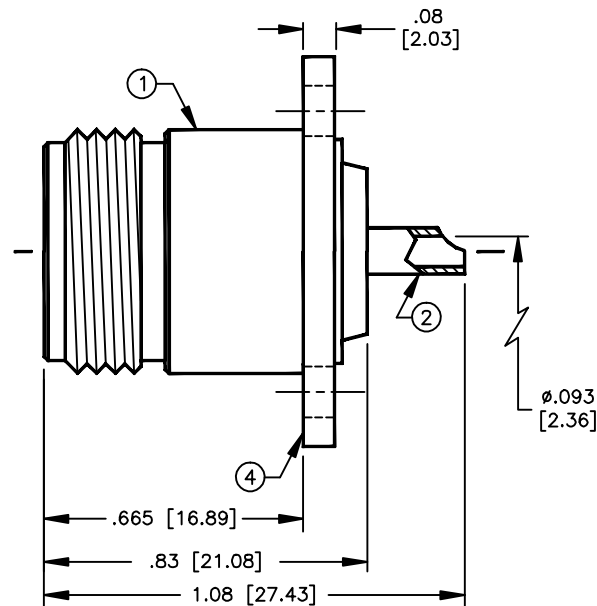
# SPECIFICATION CONTROL DRAWING

THIS DRAWING CONTAINS INFORMATION PROPRIETARY TO RF INDUSTRIES, LTD. ANY UNAUTHORIZED USE OF THIS DRAWING IS EXPRESSLY PROHIBITED. ANY VIOLATION IS PUNISHABLE UNDER U.S. COPYRIGHT LAWS.

| REV | DESCRIPTION  | DWN | DATE    | APPROVED |
|-----|--|-----|---------|----------|
| D   | CHG CABLE CONTACT TO .093 \ CREATE SECTION DRAWING | KMM | 2/23/95 | R. RICE  |
| E   | CHG TO 1 PC DIELECTRIC \ CHG CONTACT AND ADD KNURL | KMM | 8/20/97 | R. RICE  |
| F   | CHANGE PRESS-FIT NOTE                              | CZS | 1/7/99  | R. RICE  |
| G   | CHG TOL ON LENGHTS \ ADD INTERFACE TO ENV DWG      | CZS | 3/22/99 | R. RICE  |

ALL DIMENSIONS ARE REFERENCE ONLY

000000



SUGGESTED MOUNTING CONFIG

## SPECIFICATIONS:

IMPEDANCE: 50 OHMS  
 WORKING VOLTAGE: 1000 VRMS @ SEA LEVEL  
 FREQUENCY RANGE: 0-11 GHz  
 INTERFACE PER MIL-STD-348A, SECTION 304.21

DIMENSIONS ARE IN INCHES AND [MILLIMETERS]

UNLESS OTHERWISE NOTED TOLERANCES ARE:  
 DECIMALS DIAMETER

**RF connectors**  
 DIVISION OF RF INDUSTRIES, LTD.

7610 MIRAMAR RD  
 SAN DIEGO, CA 92126  
 (619)549-6340  
 (619)549-6345 FAX

## RFN-1021

N FEMALE FRONT MOUNT 4 HOLE FLANGE

| ITEM | DESCRIPTION      | QTY | MATERIAL | FINISH | APPROVALS | DATE    |
|------|------------------|-----|----------|--------|-----------|---------|
| 4    | PRESS FIT FLANGE | 1   | BRASS    | SILVER | C. ZUNIGA | 3/22/99 |
| 3    | DIELECTRIC       | 1   | PTFE     | NONE   | CHECKED   |         |
| 2    | CONTACT          | 1   | BRASS    | GOLD   | ORJ DRAWN |         |
| 1    | BODY             | 1   | BRASS    | SILVER | P. BREAUX | 8/27/92 |

| SIZE       | CABLE GROUP | DWG NO.          | REV          |
|------------|-------------|------------------|--------------|
| A          | N/A         | 8087             | G            |
| SCALE: 2:1 |             | CAD FILE 13ARC B | SHEET 1 OF 1 |