



USBF TV

Transversally Sealed Receptacle



SEALED RECEPTACLE In some applications, a transversal sealing for the receptacle is a « must ». This will prevent fluids and dust from going through the receptacle when plug or cap are not mated to the receptacle. The sealed solution (version "S") has a compound at the rear of the receptacle below. In addition, the Sealed USBF TV has been successfully tested in very high vibration corresponding to airplane applications.

Applications

- Embedded Computers
- Data Acquisition and transmission in harsh environment
- Railways
- Battelfield Communication Systems
- Navy Systems

MAIN CHARACTERISTICS

- Sealed against fluids and dusts (IP68)
- Shock, Vibration and Traction resistant
- No cabling operation in field and no tools required
- Improved EMI protection
- Tri Start Thread coupling mechanism (MIL-DTL-38999 series III type) with anti-de-coupling device
- 2 mechanical Coding / Polarization possibilities by the user (receptacle insert rotation)
- USBF TV plug retention in the receptacle: 100 N in the axis
- Mating cycles: 500 to 1500

Data Transmission

USB Specification 2.0
Data Rate: Up to 480 Mb/s for High Speed USB

Environmental Protection

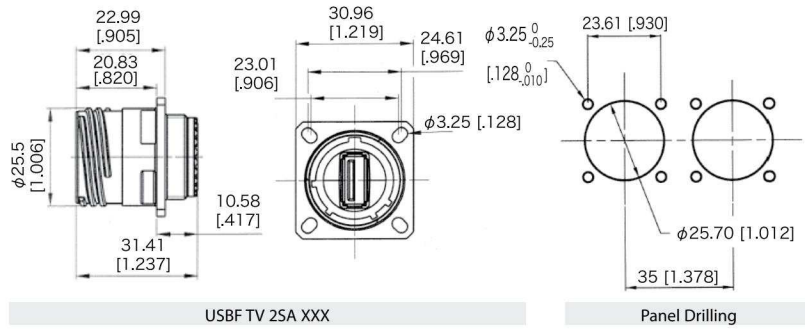
- Sealing (when mated): IP68 (Temporary immersion)
- Salt Spray: 48 h with Nickel plating
> 500 h with Olive Drab Cadmium
1000 h with marine bronze shell
- Fire Retardant / Low Smoke: UL94 V0 and NF F 16 101 & 16 102
- Vibrations: 10 – 500 Hz, 10 g, 3 axes: no discontinuity > 1micro s
- Shocks: IK06: weight of 250 g drop from 40 cm [15.75 in] onto connectors (mated pair)
- Humidity: 21 days, 43°C, 98% humidity
- Temperature Range: - 40°C / +85°C

Part Number Code

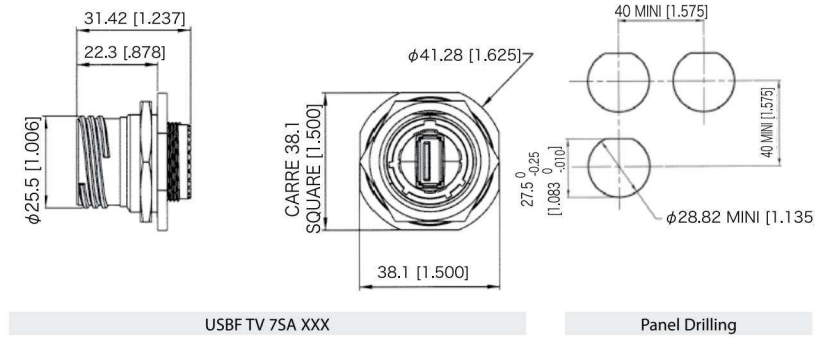
Series USB Field TV	USBF TV	2PES	A	2	N	03	A
Shell Type 2S: Square flange receptacle 2PES: Square flange receptacle + backshell + plastic gland 2PEMS: Square flange receptacle + backshell + metal gland 7S: Jam nut receptacle 7PES: Jam nut receptacle + backshell + plastic gland 7PEMS: Jam nut receptacle + backshell + metal gland							
Coding "A" (Standard) or "B"							
Back Terminations 2: Rugged USB cable (see corresponding datasheet page 42)							
Shells Plating N: Nickel G: Olive drab cadmium plating							
USB cable length 03: 30 cm [11.81 inches] 05: 50 cm [19.68 inches] 10: 1 meter [39.37 inches]							
USB cable end A: Standard USB-A plug OPEN: Open cable (no connector)							

Receptacles

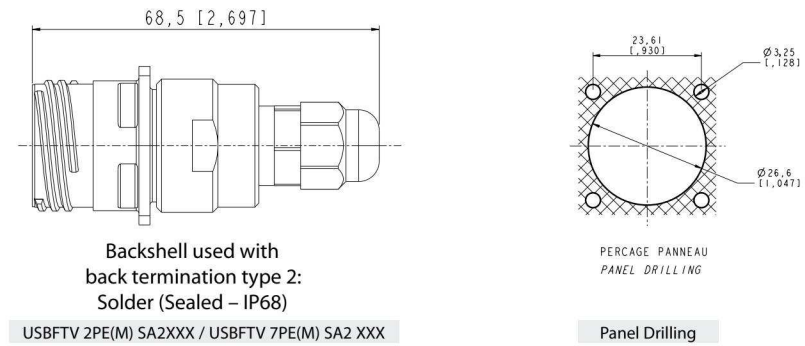
■ Square flange receptacle
4 mounting holes: Shell type 2



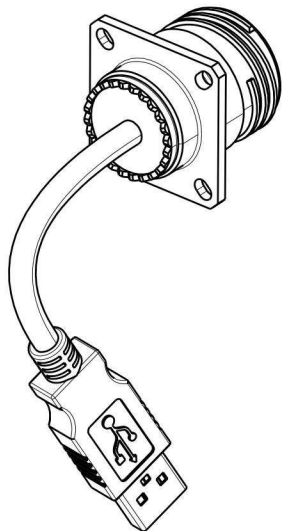
■ Jam nut receptacle
Hexagonal Nut mounting:
Shell type 7



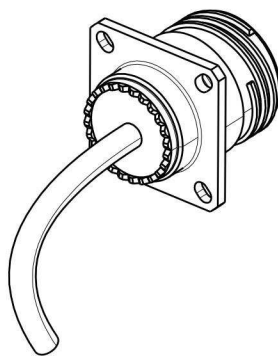
■ Receptacles with backshell:
Shell type 2PE(M) and 7PE(M)



Cordset End



USB Cable end type "A"



USB Cable type "OPEN"