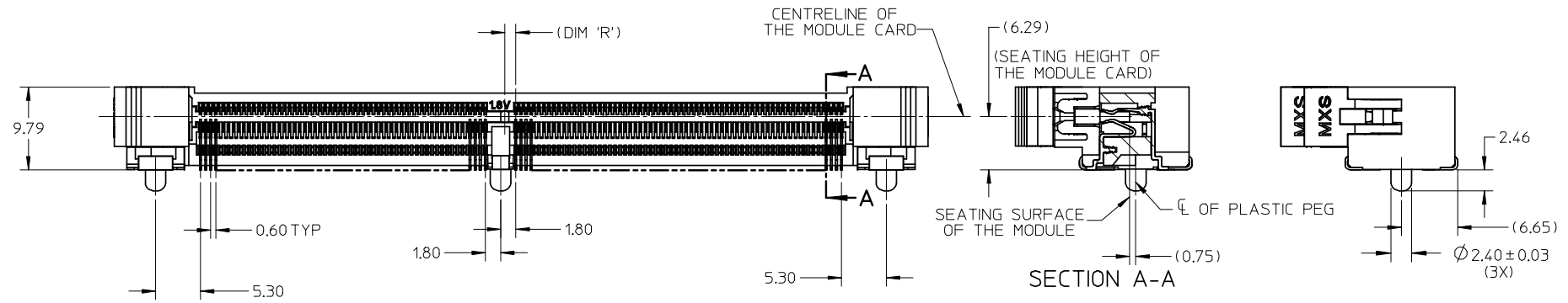


NOTES :

- 1) MATERIAL :
HOUSING : HIGH TEMPERATURE LIQUID CRYSTAL POLYMER, UL94V-0
COLOUR : BLACK
CONTACTS : COPPER ALLOY
LATCHES : HIGH TEMPERATURE NYLON, UL94V-0
COLOUR : NATURAL (OFF-WHITE)
- 2) FINISH :
CONTACT AREA : 0.76 MICROMETER (30 MICROINCH) MIN GOLD OVER
1.25 MICROMETER (50 MICROINCH) MIN NICKEL
SOLDER LEADS : 2.54 MICROMETER (100 MICROINCH) MIN TIN OVER
1.25 MICROMETER (50 MICROINCH) MIN NICKEL
- 3) ACCEPTS 1.0 mm THICK MEMORY MODULE PER JEDEC MO-244
FOR 244 CKTS AND MO-258 FOR 200 CKTS.
- 4) PRODUCT SPECIFICATION : PS-87918-001
- 5) PRODUCT SHALL BE PACKED IN TRAY.

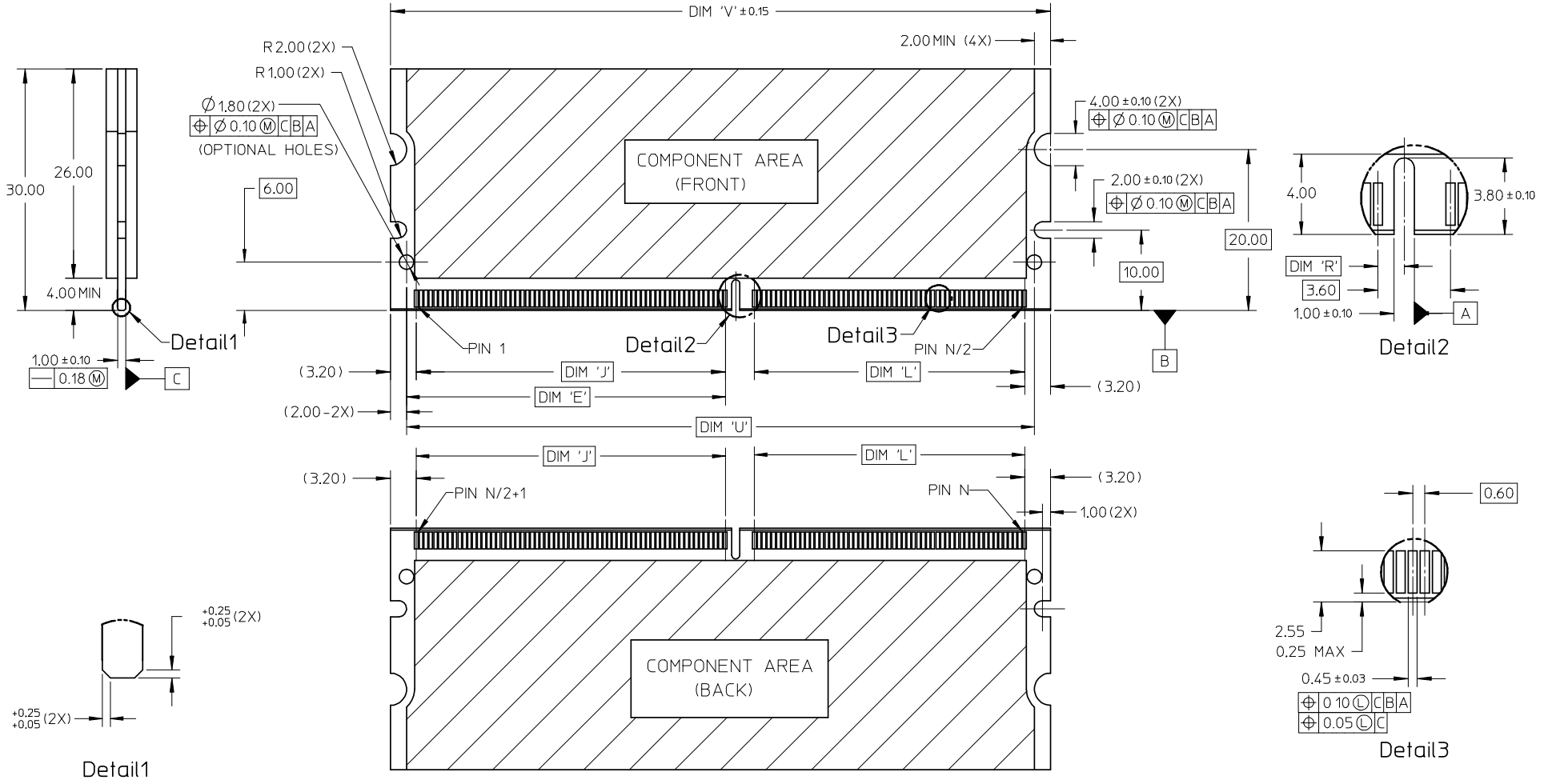
- 6) DATE CODE SHALL BE MARKED LEGIBLY AS SHOWN :YYDDD
7) PART NUMBER SHALL BE MARKED LEGIBLY AS SHOWN.
87918-XXXX(REFER TO TABLE)



ADD DDR3 OPTION IEC NO: S2008-1057 DRWN:CMTEO CHKD:CGTAN APPR:SHLENI	2008/06/20 2008/06/20 2008/06/20	QUALITY SYMBOLS ▽=0 ◻=0	GENERAL TOLERANCES (UNLESS SPECIFIED)		DIMENSION STYLE	SCALE	DESIGN UNITS	THIRD ANGLE PROJECTION	
					MM ONLY	NTS	METRIC		
REV B2	DESCRIPTION ADD DDR3 OPTION	4 PLACES	± ---	± ---	DRAWN BY	DATE	TITLE		
		3 PLACES	± ---	± ---	EDMUND	2004/08/17	MINI DIMM, 0.60MM PITCH		
		2 PLACES	± 0.13	± ---	CHECKED BY	DATE	244/200 CKTS		
		1 PLACE	± 0.25	± ---	SRAMESH	2005/01/25	STANDARD R/A		
		ANGULAR ± 1 °		APPROVED BY	DATE	MOLEX INCORPORATED			
		DRAFT WHERE APPLICABLE MUST REMAIN WITHIN DIMENSIONS		GGLLEE	2005/01/25	DOCUMENT NO. SD-87918-001			
				MATERIAL NO.	SEE TABLE		SHEET NO. 1 OF 4		
				SIZE	THIS DRAWING CONTAINS INFORMATION THAT IS PROPRIETARY TO MOLEX INCORPORATED AND SHOULD NOT BE USED WITHOUT WRITTEN PERMISSION				

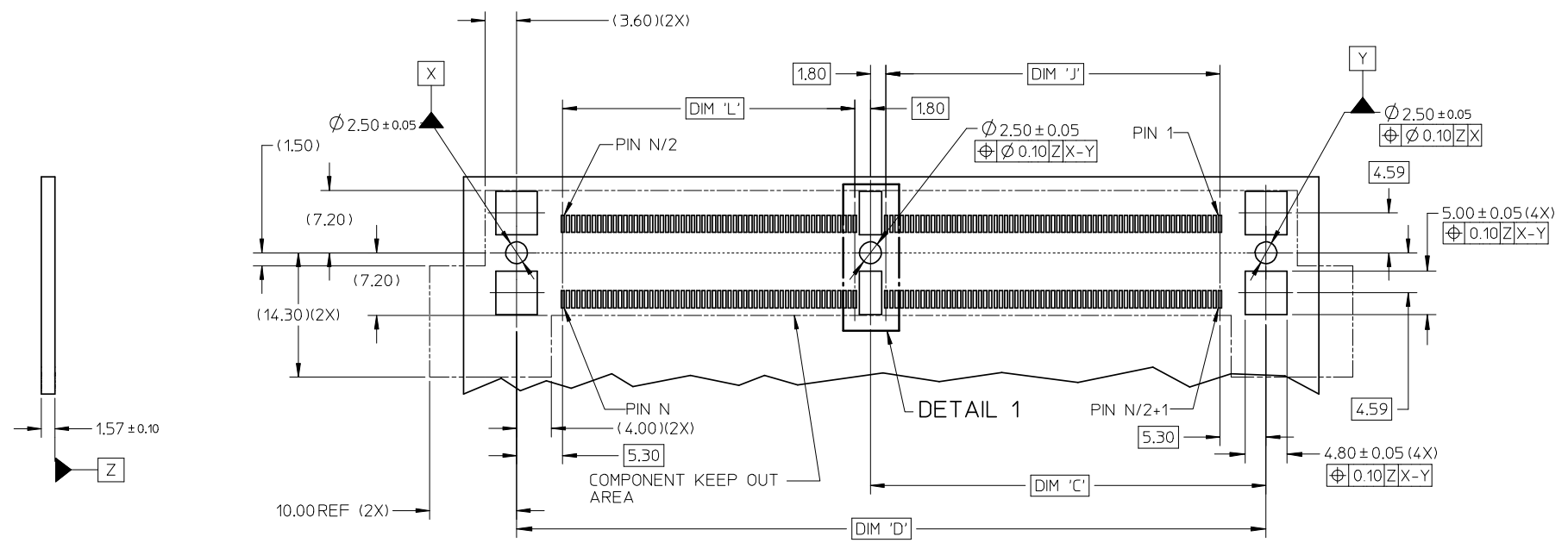
10 9 8 7 6 5 4 3 2 1

F
E
D
C
B
A

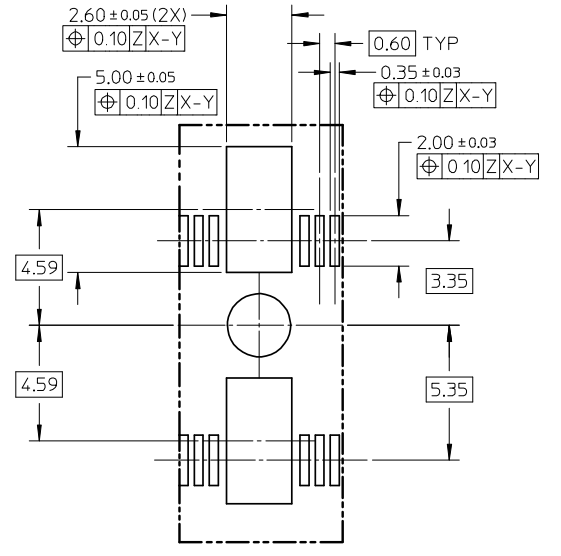


9 8 7 6 5 4 3 2 1

ADD DDR3 OPTION EC NO: S2008-1057 DRWN:CMTEO CHKD:CGTAN APPR:SHLENI	2008/06/20 2008/06/20 2008/06/23	QUALITY SYMBOLS ▽=0 ◻=0	GENERAL TOLERANCES (UNLESS SPECIFIED)	DIMENSION STYLE MM ONLY	SCALE NTS	DESIGN UNITS METRIC	THIRD ANGLE PROJECTION																																												
	B2	DESCRIPTION	<table border="1"> <thead> <tr> <th></th> <th>mm</th> <th>INCH</th> </tr> </thead> <tbody> <tr> <td>4 PLACES</td> <td>± ---</td> <td>± ---</td> </tr> <tr> <td>3 PLACES</td> <td>± ---</td> <td>± ---</td> </tr> <tr> <td>2 PLACES</td> <td>± 0.13</td> <td>± ---</td> </tr> <tr> <td>1 PLACE</td> <td>± 0.25</td> <td>± ---</td> </tr> <tr> <td colspan="3">ANGULAR ± 1°</td> </tr> </tbody> </table>		mm	INCH	4 PLACES	± ---	± ---	3 PLACES	± ---	± ---	2 PLACES	± 0.13	± ---	1 PLACE	± 0.25	± ---	ANGULAR ± 1°			<table border="1"> <thead> <tr> <th>DRAWN BY</th> <th>DATE</th> <th>TITLE</th> </tr> </thead> <tbody> <tr> <td>EDMUND</td> <td>2004/08/17</td> <td rowspan="2"> MINI DIMM, 0.60MM PITCH 244/200 CKTS STANDARD R/A </td> </tr> <tr> <td>CHECKED BY</td> <td>DATE</td> </tr> <tr> <td>SRRAMESH</td> <td>2005/01/25</td> <td rowspan="2"> MOLEX INCORPORATED </td> </tr> <tr> <td>APPROVED BY</td> <td>DATE</td> </tr> <tr> <td>GGLEE</td> <td>2005/01/25</td> <td> MOLEX INCORPORATED DOCUMENT NO. </td> </tr> <tr> <td colspan="3"> MATERIAL NO. </td> <td> SD-87918-001 </td> </tr> <tr> <td colspan="3"> DRAFT WHERE APPLICABLE MUST REMAIN WITHIN DIMENSIONS </td> <td> SEE TABLE </td> </tr> <tr> <td colspan="3"> SIZE A3 </td> <td> THIS DRAWING CONTAINS INFORMATION THAT IS PROPRIETARY TO MOLEX INCORPORATED AND SHOULD NOT BE USED WITHOUT WRITTEN PERMISSION </td> </tr> </tbody> </table>	DRAWN BY	DATE	TITLE	EDMUND	2004/08/17	MINI DIMM, 0.60MM PITCH 244/200 CKTS STANDARD R/A	CHECKED BY	DATE	SRRAMESH	2005/01/25	MOLEX INCORPORATED	APPROVED BY	DATE	GGLEE	2005/01/25	MOLEX INCORPORATED DOCUMENT NO.	MATERIAL NO.			SD-87918-001	DRAFT WHERE APPLICABLE MUST REMAIN WITHIN DIMENSIONS			SEE TABLE	SIZE A3			THIS DRAWING CONTAINS INFORMATION THAT IS PROPRIETARY TO MOLEX INCORPORATED AND SHOULD NOT BE USED WITHOUT WRITTEN PERMISSION	SHEET NO. 2 OF 4
		mm	INCH																																																
	4 PLACES	± ---	± ---																																																
3 PLACES	± ---	± ---																																																	
2 PLACES	± 0.13	± ---																																																	
1 PLACE	± 0.25	± ---																																																	
ANGULAR ± 1°																																																			
DRAWN BY	DATE	TITLE																																																	
EDMUND	2004/08/17	MINI DIMM, 0.60MM PITCH 244/200 CKTS STANDARD R/A																																																	
CHECKED BY	DATE																																																		
SRRAMESH	2005/01/25	MOLEX INCORPORATED																																																	
APPROVED BY	DATE																																																		
GGLEE	2005/01/25	MOLEX INCORPORATED DOCUMENT NO.																																																	
MATERIAL NO.			SD-87918-001																																																
DRAFT WHERE APPLICABLE MUST REMAIN WITHIN DIMENSIONS			SEE TABLE																																																
SIZE A3			THIS DRAWING CONTAINS INFORMATION THAT IS PROPRIETARY TO MOLEX INCORPORATED AND SHOULD NOT BE USED WITHOUT WRITTEN PERMISSION																																																



RECOMMENDED PCB LAYOUT

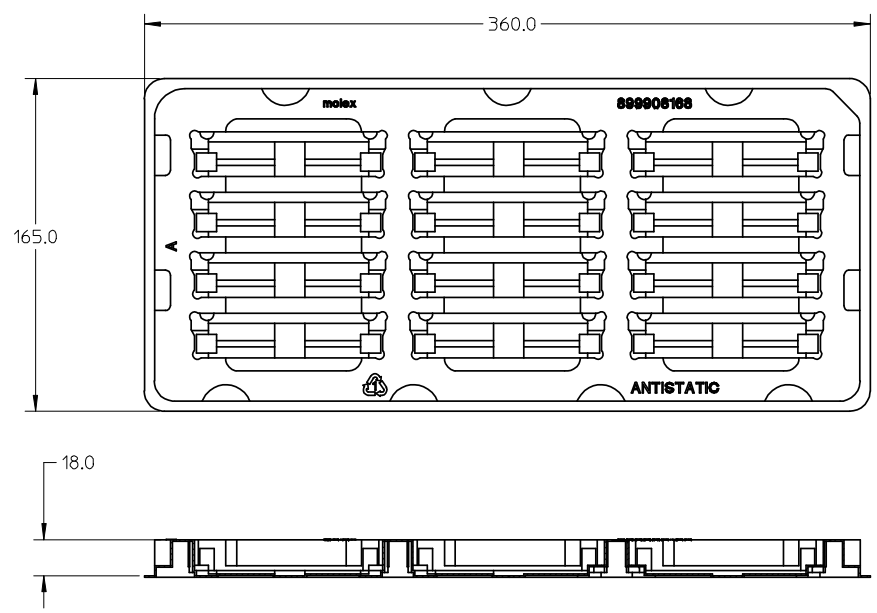


DETAIL 1

ADD DDR3 OPTION EC NO: S2008-1057 DRWN:CMTEO 2008/06/20 CHKD:CGTAN 2008/06/20 APPR:SHLENI 2008/06/23	QUALITY SYMBOLS	GENERAL TOLERANCES (UNLESS SPECIFIED)	DIMENSION STYLE	SCALE	DESIGN UNITS	THIRD ANGLE PROJECTION
	$\nabla=0$ $\sphericalangle=0$	mm INCH 4 PLACES \pm --- \pm --- 3 PLACES \pm --- \pm --- 2 PLACES ± 0.13 \pm --- 1 PLACE ± 0.25 \pm --- ANGULAR $\pm 1^\circ$	MM ONLY	NTS	METRIC	
			DRAWN BY	DATE	TITLE	
			EDMUND	2004/08/17	MINI DIMM, 0.60MM PITCH 244/200 CKTS STANDARD R/A	
			CHECKED BY	DATE		
			SRRAMESH	2005/01/25		
			APPROVED BY	DATE		
			GGLEE	2005/01/25	MOLEX INCORPORATED	
			MATERIAL NO.	DOCUMENT NO.	SHEET NO.	
			SEE TABLE	SD-87918-001	3 OF 4	
			SIZE	THIS DRAWING CONTAINS INFORMATION THAT IS PROPRIETARY TO MOLEX INCORPORATED AND SHOULD NOT BE USED WITHOUT WRITTEN PERMISSION		
			A3			

10 9 8 7 6 5 4 3 2 1

CKT_SIZE 'N'	PART NUMBER	MODULE CARD	VOLTAGE KEY	DIM 'R'	DIM 'E'	DIM 'J'	DIM 'L'	DIM 'A'	DIM 'S'	DIM 'T'	DIM 'U'	DIM 'V'	DIM 'C'	DIM 'D'	DIM 'B'
244	87918-0001	DDR2	1.8 V	1.30	39.60	38.40	33.60	93.0	96.0	106.2	78.00	82.00	45.50	86.20	75.60
	87918-0301	DDR3	1.5 V	2.30											
200	87918-0201	DDR2	1.8 V	1.30	24.60	23.40	35.40	79.8	82.8	93.0	64.80	68.80	30.50	73.00	62.40
	87918-0202	DDR	2.5 V	2.30											



VIEW OF PACKAGING TRAY

NOTES:
1. QTY OF CAVITY: 3 X 4 = 12 PCS

ADD DDR3 OPTION EC NO: S2008-1057 DRWN:CMTEO 2008/06/20 CHKD:CGTAN 2008/06/20 APPR:SHLENI 2008/06/23	DESCRIPTION REV	QUALITY SYMBOLS	GENERAL TOLERANCES (UNLESS SPECIFIED)	DIMENSION STYLE	SCALE	DESIGN UNITS	THIRD ANGLE PROJECTION	
		$\nabla=0$ $\square=0$	mm INCH 4 PLACES ± --- ± --- 3 PLACES ± --- ± --- 2 PLACES ± 0.13 ± --- 1 PLACE ± 0.25 ± --- ANGULAR ± 1 °	MM ONLY	NTS	METRIC		
			DRAFT WHERE APPLICABLE MUST REMAIN WITHIN DIMENSIONS	DRAWN BY: EDMUND DATE: 2004/08/17 CHECKED BY: SRRAMESH DATE: 2005/01/25 APPROVED BY: GGLEE DATE: 2005/01/25	TITLE: MINI DIMM, 0.60MM PITCH 244/200 CKTS STANDARD R/A		MOLEX INCORPORATED	
		B2		SEE TABLE	MATERIAL NO. DOCUMENT NO. SD-87918-001		SHEET NO. 4 OF 4	

9 8 7 6 5 4 3 2 1