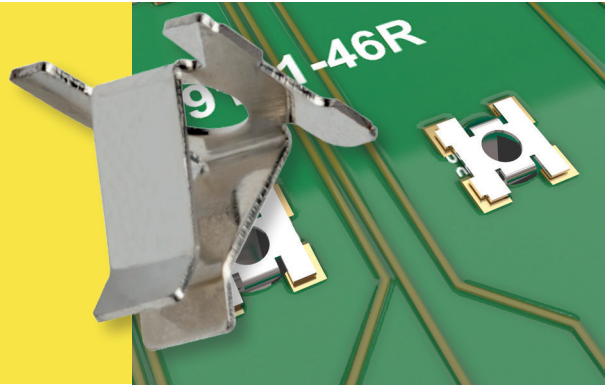


# PC Board Sockets

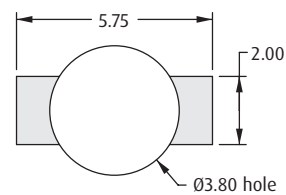
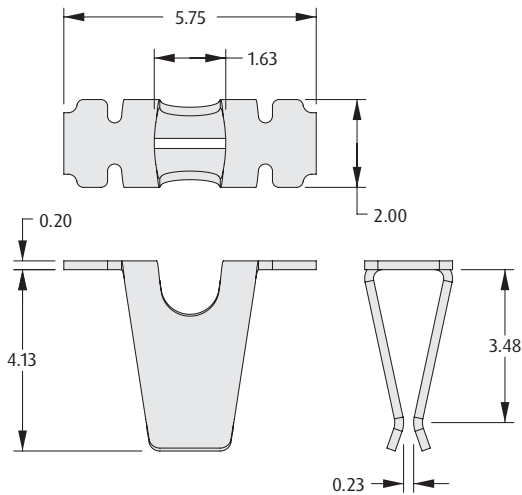
SOCKETS

## Surface Mount, Low Profile

- Accepts pins between 0.8mm and 1.8mm diameter.
- SMT product is pick and place-able using standard assembly machines.
- Rated to 5 Amps and 9 Amps electrical current.
- Greatly reduces process costs by removing the need for secondary operations.
- Reduced component costs.

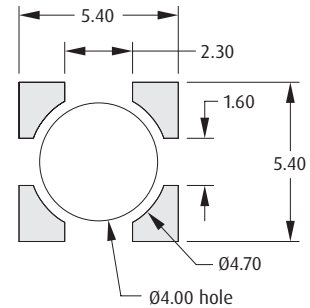
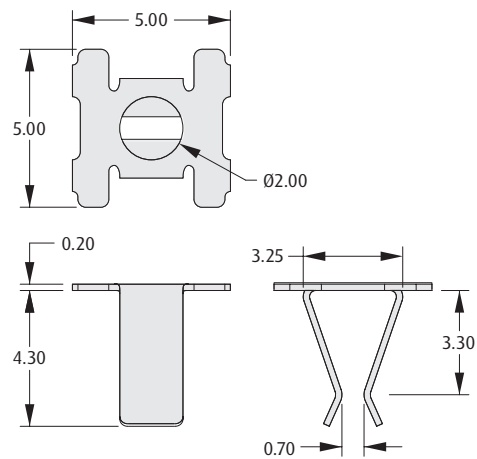


### Ø0.8mm TO Ø1.5mm MATING PIN



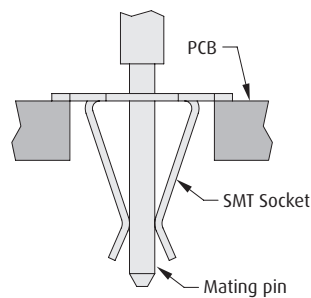
Recommended PC Board Pattern

### Ø1.1mm TO Ø1.8mm MATING PIN



Recommended PC Board Pattern

#### Orientation of SMT Socket in PCB



### HOW TO ORDER

**S9XX1 - 46 R**

SERIES CODE	
S9091	Ø0.8 to Ø1.5mm Mating pin
S9101	Ø1.1 to Ø1.8mm Mating pin

PACKAGING	
R	Tape & Reeled

FINISH	
46	Tin

All dimensions in mm.