

Aluminum Capacitors Axial Miniature, Long-Life

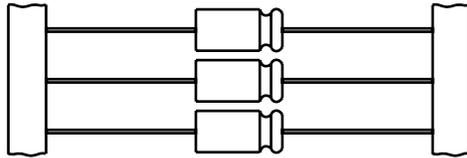


Fig.1 Component outlines



FEATURES

- Polarized aluminum electrolytic capacitors, non-solid electrolyte
- Axial leads, cylindrical aluminum case, insulated with a blue sleeve (case \varnothing 6.3 x 12.7 and 7.7 x 12.7 mm are moulded with flame retardant plastic material)
- Mounting ring version not available in insulated form
- Taped versions up to case \varnothing 15 x 30 mm available for automatic insertion
- Charge and discharge proof
- Long useful life: 2000 to 10 000 hours at 105 °C, high reliability
- High ripple current capability
- Miniaturized, high CV-product per unit volume
- Lead (Pb)-free versions are RoHS compliant


**RoHS
COMPLIANT**

APPLICATIONS

- Industrial, automotive, EDP and telecommunication
- Smoothing, filtering, buffering in SMPS; coupling, decoupling, timing
- Portable and mobile equipment (small size, low mass)
- Stand-by applications
- Low mounting height boards, vibration and shock resistant

MARKING

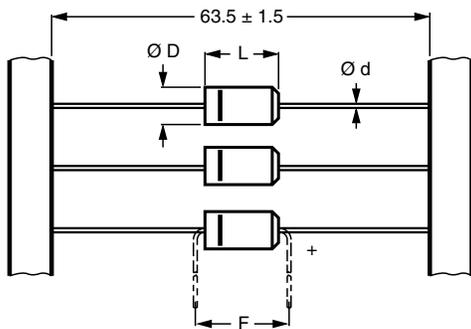
The capacitors are marked (where possible) with the following information:

- Rated capacitance (in μF)
- Tolerance on rated capacitance, code letter in accordance with IEC 60062 (M for $\pm 20\%$)
- Rated voltage (in V)
- Upper category temperature (105 °C)
- Date code, in accordance with IEC 60062
- Code for factory of origin
- Name of manufacturer
- Band to indicate the negative terminal
- '+' sign to identify the positive terminal (not for case sizes $L < 18$ mm)
- Series number (138)

| QUICK REFERENCE DATA | | |
|--|---------------------------------------|---------------------------------------|
| DESCRIPTION | VALUE | |
| Nominal case sizes (\varnothing D x L in mm) | 6.3 x 12.7 to 10 x 25 | 10 x 30 to 21 x 38 |
| Rated capacitance range, C_R | 1.0 to 15 000 μF | |
| Tolerance on C_R | $\pm 20\%$ | |
| Rated voltage range, U_R | 6.3 to 100 V | |
| Category temperature range | - 40 to + 105 °C | |
| Endurance test at 105 °C | 1000 hours | 5000 hours |
| Useful life at 105 °C | 2000 hours | 10 000 hours |
| Useful life at 40 °C, I_R applied | 1.3 x I_R applied: 200 000 hours | 1.8 x I_R applied: 500 000 hours |
| Shelf life at 0 V, 105 °C | 500 hours | 500 hours |
| Based on sectional specification | IEC 60384-4/EN130 300 | |
| Climatic category IEC 60068 | 40/105/56 | |

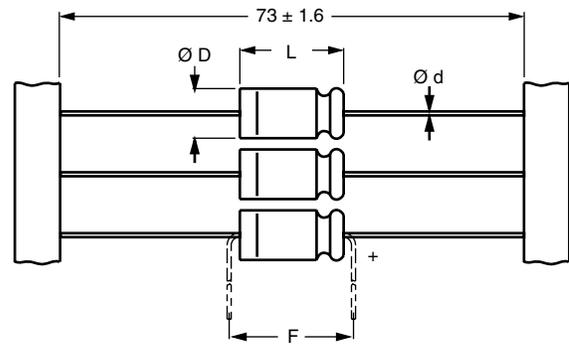
| SELECTION CHART FOR C_R , U_R AND RELEVANT NOMINAL CASE SIZES ($\varnothing D \times L$ in mm) | | | | | | | | |
|---|------------|------------|------------|------------|------------|------------|------------|------------|
| C_R (μF) | U_R (V) | | | | | | | |
| | 6.3 | 10 | 16 | 25 | 40 | 50 | 63 | 100 |
| 1.0 | - | - | - | - | - | - | - | 6.3 x 12.7 |
| 2.2 | - | - | - | - | - | - | - | 6.3 x 12.7 |
| 4.7 | - | - | - | - | - | - | 6.3 x 12.7 | 7.7 x 12.7 |
| 10 | - | - | - | 6.3 x 12.7 | - | 6.3 x 12.7 | 7.7 x 12.7 | 6.5 x 18 |
| 22 | - | - | 6.3 x 12.7 | 6.3 x 12.7 | - | 7.7 x 12.7 | 6.5 x 18 | 8 x 18 |
| 33 | - | - | - | 6.3 x 12.7 | 7.7 x 12.7 | - | - | - |
| 47 | - | - | 6.3 x 12.7 | 7.7 x 12.7 | 6.5 x 18 | - | 8 x 18 | 10 x 25 |
| 68 | - | - | - | - | - | - | - | 10 x 30 |
| 100 | 6.3 x 12.7 | - | 7.7 x 12.7 | 6.5 x 18 | 8 x 18 | 10 x 18 | 10 x 25 | 12.5 x 30 |
| 150 | - | 7.7 x 12.7 | - | - | - | - | 10 x 30 | 15 x 30 |
| 220 | 7.7 x 12.7 | 6.5 x 18 | 8 x 18 | 10 x 18 | 10 x 25 | - | 12.5 x 30 | 15 x 30 |
| 330 | - | - | - | - | 10 x 30 | - | 12.5 x 30 | 18 x 30 |
| 470 | 6.5 x 18 | 8 x 18 | 10 x 18 | 10 x 25 | 12.5 x 30 | - | 15 x 30 | 18 x 38 |
| 680 | - | - | - | 10 x 30 | 12.5 x 30 | - | 18 x 30 | 21 x 38 |
| 1000 | 10 x 18 | 10 x 25 | 10 x 30 | 12.5 x 30 | 15 x 30 | - | 18 x 38 | - |
| 1500 | - | 10 x 30 | 12.5 x 30 | 15 x 30 | 18 x 30 | - | 21 x 38 | - |
| 2200 | 10 x 25 | 12.5 x 30 | 15 x 30 | 18 x 30 | 18 x 38 | - | - | - |
| 3300 | - | 15 x 30 | 18 x 30 | 18 x 38 | 21 x 38 | - | - | - |
| 4700 | - | 18 x 30 | 18 x 30 | 18 x 38 | - | - | - | - |
| 6800 | - | 18 x 38 | 18 x 38 | 21 x 38 | - | - | - | - |
| 10 000 | - | 18 x 38 | 21 x 38 | - | - | - | - | - |
| 15 000 | - | 21 x 38 | - | - | - | - | - | - |

DIMENSIONS in millimeters AND AVAILABLE FORMS



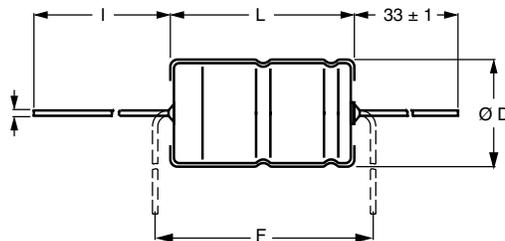
Form BR: Taped on reel
Form BA: Taped in box (ammopack)
 case $\varnothing D \times L = 6.3 \times 12.7$ to 7.7×12.7 mm

Fig.2 Forms BA and BR



Form BR: Taped on reel
 case $\varnothing D \times L = 6.5 \times 18$ to 15×30 mm
Form BA: Taped in box (ammopack)
 case $\varnothing D \times L = 6.5 \times 18$ to 10×25 mm

Fig.3 Forms BA and BR



Form AA: Axial in box
 case $\varnothing D \times L = 10 \times 30$ to 21×38 mm

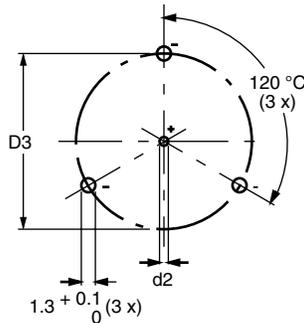
Fig.4 Form AA

Table 1

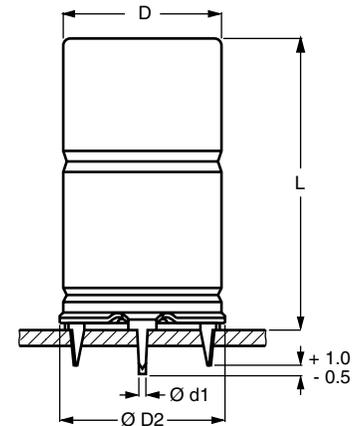
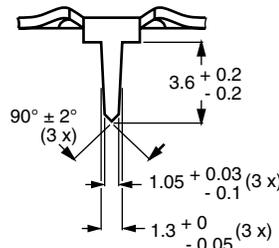
| AXIAL; DIMENSIONS in millimeters, MASS AND PACKAGING QUANTITIES | | | | | | | | | | |
|---|-----------|----------------------------|--------|---------------------|-------------------|-------------------|----------|----------------------|---------|---------|
| NOMINAL CASE SIZE Ø D x L (mm) | CASE CODE | AXIAL: FORM AA, BA, and BR | | | | | MASS (g) | PACKAGING QUANTITIES | | |
| | | Ø d | l | Ø D _{max.} | L _{max.} | F _{min.} | | FORM AA | FORM BA | FORM BR |
| 6.3 x 12.7 | (2) | 0.6 | - | 6.5 | 12.9 | 17.5 | ≈ 1.1 | - | 1000 | 1000 |
| 7.7 x 12.7 | (3) | 0.6 | - | 7.9 | 12.9 | 17.5 | ≈ 1.3 | - | 500 | 500 |
| 6.5 x 18 | 4 | 0.8 | - | 6.9 | 18.5 | 25 | ≈ 1.3 | - | 1000 | 1000 |
| 8 x 18 | 5 | 0.8 | - | 8.5 | 18.5 | 25 | ≈ 1.7 | - | 500 | 500 |
| 10 x 18 | 6 | 0.8 | - | 10.5 | 18.5 | 25 | ≈ 2.5 | - | 500 | 500 |
| 10 x 25 | 7 | 0.8 | - | 10.5 | 25.5 | 30 | ≈ 3.3 | - | 500 | 500 |
| 10 x 30 | 00 | 0.8 | 55 ± 1 | 10.5 | 30.5 | 35 | ≈ 4.8 | 340 | - | 500 |
| 12.5 x 30 | 01 | 0.8 | 55 ± 1 | 13.0 | 30.5 | 35 | ≈ 7.4 | 260 | - | 400 |
| 15 x 30 | 02 | 0.8 | 55 ± 1 | 15.5 | 30.5 | 35 | ≈ 11.7 | 200 | - | 250 |
| 18 x 30 | 03 | 0.8 | 55 ± 1 | 18.5 | 30.5 | 35 | ≈ 12.9 | 120 | - | - |
| 18 x 38 | 04 | 0.8 | 34 ± 1 | 18.5 | 39.5 | 44 | ≈ 19.0 | 125 | - | - |
| 21 x 38 | 05 | 0.8 | 34 ± 1 | 21.5 | 39.5 | 44 | ≈ 24.0 | 100 | - | - |

Note

Detailed tape dimensions see section 'PACKAGING'.



Mounting holes



Case Ø D x L = 15 x 30 to 21 x 38 mm

Case not insulated (insulation on request)

Especially for applications with severe shocks and vibrations

 Fig.5 Mounting hole diagram and outline; **Form MR:** With mounting ring and pins

Table 2

| MOUNTING RING; DIMENSIONS in millimeters, MASS AND PACKAGING QUANTITIES | | | | | | | | | |
|---|-----------|------------------------|-----------|-------------------|----------------------|------------|-------------------|----------|----------------------|
| NOMINAL CASE SIZE Ø D x L | CASE CODE | MOUNTING RING: FORM MR | | | | | | MASS (g) | PACKAGING QUANTITIES |
| | | Ø d1 | Ø d2 | D _{max.} | Ø D2 _{max.} | D3 | L _{max.} | | |
| 15 x 30 | 02 | 0.8 | 1.0 + 0.4 | 15.5 | 17.5 | 16.5 ± 0.2 | 33 | ≈ 11.7 | 200 |
| 18 x 30 | 03 | 0.8 | 1.0 + 0.4 | 18.5 | 19.5 | 18.5 ± 0.2 | 33 | ≈ 12.9 | 240 |
| 18 x 38 | 04 | 0.8 | 1.0 + 0.4 | 18.5 | 19.5 | 18.5 ± 0.2 | 42 | ≈ 19.0 | 100 |
| 21 x 38 | 05 | 0.8 | 1.0 + 0.4 | 21.5 | 22.5 | 21.5 ± 0.2 | 42 | ≈ 24.0 | 100 |

| ELECTRICAL DATA | |
|-----------------|---|
| SYMBOL | DESCRIPTION |
| C_R | rated capacitance at 100 Hz, tolerance $\pm 20\%$ |
| I_R | rated RMS ripple current at 100 Hz, 105 °C |
| I_{L5} | max. leakage current after 5 minutes at U_R |
| $\tan \delta$ | max. dissipation factor at 100 Hz |
| ESR | equivalent series resistance at 100 Hz (calculated from $\tan \delta_{max}$ and C_R) |
| Z | max. impedance at 10 kHz or 100 kHz |

Note

Unless otherwise specified, all electrical values in Table 3 apply at $T_{amb} = 20\text{ °C}$, $P = 86$ to 106 kPa , $RH = 45$ to 75% .

Table 3

| ELECTRICAL DATA AND ORDERING INFORMATION | | | | | | | | | | | | | |
|--|--------------------------------------|---|-----------------------------------|--|-------------------------|-------------------------------|-----------------------------|------------------------------|----------------------------|-----------------------------|----------------------------|-----------------------------|--|
| U_R (V) | C_R 100 Hz (μF) | NOMINAL CASE SIZE $\varnothing D \times L$ (mm) | I_R 100 Hz 105 °C (mA) | I_{L5} 5 min (μA) | $\tan \delta$ 100 Hz | ESR 100 Hz (Ω) | Z 10 kHz (Ω) | Z 100 kHz (Ω) | ORDERING CODE MAL2138..... | | | | |
| | | | | | | | | | IN BOX FORM AA | TAPED ON REEL FORM BR | TAPED IN BOX FORM BA | MOUNTING RING FORM MR | |
| 6.3 | 100 | 6.3 x 12.7 | 99 | 5.3 | 0.24 | 3.8 | 3.0 | 1.8 | - | 23101E3 | 33101E3 | - | |
| | 220 | 7.7 x 12.7 | 160 | 6.8 | 0.24 | 1.7 | 1.4 | 0.95 | - | 23221E3 | 33221E3 | - | |
| | 470 | 6.5 x 18 | 250 | 9.9 | 0.24 | 0.81 | 0.64 | 0.5 | - | 23471E3 | 33471E3 | - | |
| | 1000 | 10 x 18 | 430 | 17 | 0.24 | 0.38 | 0.30 | 0.24 | - | 23102E3 | 33102E3 | - | |
| | 2200 | 10 x 25 | 640 | 32 | 0.29 | 0.21 | 0.18 | 0.15 | - | 23222E3 | 33222E3 | - | |
| 10 | 150 | 7.7 x 12.7 | 140 | 7.0 | 0.2 | 2.1 | 1.3 | 0.95 | - | 24151E3 | 34151E3 | - | |
| | 220 | 6.5 x 18 | 190 | 8.4 | 0.2 | 1.4 | 0.91 | 0.5 | - | 24221E3 | 34221E3 | - | |
| | 470 | 8 x 18 | 300 | 13 | 0.2 | 0.68 | 0.43 | 0.35 | - | 24471E3 | 34471E3 | - | |
| | 1000 | 10 x 25 | 520 | 24 | 0.2 | 0.32 | 0.20 | 0.16 | - | 24102E3 | 34102E3 | - | |
| | 1500 | 10 x 30 | 670 | 34 | 0.28 | 0.32 | 0.26 | 0.26 | 14152E3 | 24152E3 | - | - | |
| | 2200 | 12.5 x 30 | 890 | 48 | 0.29 | 0.22 | 0.19 | 0.19 | 14222E3 | 24222E3 | - | - | |
| | 3300 | 15 x 30 | 1140 | 70 | 0.30 | 0.16 | 0.13 | 0.15 | 14332E3 | 24332E3 | - | 44332E3 | |
| | 4700 | 18 x 30 | 1450 | 98 | 0.33 | 0.12 | 0.11 | 0.13 | 14472E3 | - | - | 44472E3 | |
| | 6800 | 18 x 38 | 1880 | 140 | 0.34 | 0.085 | 0.074 | 0.11 | 14682E3 | - | - | 44682E3 | |
| | 10 000 | 18 x 38 | 1980 | 200 | 0.41 | 0.070 | 0.062 | 0.10 | 14103E3 | - | - | 44103E3 | |
| 15 000 | 21 x 38 | 2200 | 300 | 0.55 | 0.063 | 0.058 | 0.099 | 14153E3 | - | - | 44153E3 | | |
| 16 | 22 | 6.3 x 12.7 | 58 | 4.7 | 0.12 | 8.7 | 7.3 | 2.7 | - | 25229E3 | 35229E3 | - | |
| | 47 | 6.3 x 12.7 | 83 | 5.5 | 0.16 | 5.4 | 3.4 | 1.9 | - | 25479E3 | 35479E3 | - | |
| | 100 | 7.7 x 12.7 | 130 | 7.2 | 0.16 | 2.5 | 1.6 | 1.0 | - | 25101E3 | 35101E3 | - | |
| | 220 | 8 x 18 | 230 | 11 | 0.16 | 1.2 | 0.73 | 0.35 | - | 25221E3 | 35221E3 | - | |
| | 470 | 10 x 18 | 360 | 19 | 0.16 | 0.54 | 0.34 | 0.25 | - | 25471E3 | 35471E3 | - | |
| | 1000 | 10 x 30 | 630 | 36 | 0.20 | 0.34 | 0.27 | 0.26 | 15102E3 | 25102E3 | - | - | |
| | 1500 | 12.5 x 30 | 860 | 52 | 0.20 | 0.23 | 0.19 | 0.19 | 15152E3 | 25152E3 | - | - | |
| | 2200 | 15 x 30 | 1090 | 74 | 0.21 | 0.17 | 0.14 | 0.15 | 15222E3 | 25222E3 | - | 45222E3 | |
| | 3300 | 18 x 30 | 1420 | 110 | 0.24 | 0.12 | 0.10 | 0.13 | 15332E3 | - | - | 45332E3 | |
| | 4700 | 18 x 30 | 1480 | 150 | 0.28 | 0.10 | 0.090 | 0.12 | 15472E3 | - | - | 45472E3 | |
| | 6800 | 18 x 38 | 1930 | 220 | 0.28 | 0.072 | 0.062 | 0.10 | 15682E3 | - | - | 45682E3 | |
| | 10 000 | 21 x 38 | 2100 | 320 | 0.38 | 0.065 | 0.057 | 0.098 | 15103E3 | - | - | 45103E3 | |
| 25 | 10 | 6.3 x 12.7 | 46 | 4.5 | 0.09 | 14 | 12 | 2.8 | - | 26109E3 | 36109E3 | - | |
| | 22 | 6.3 x 12.7 | 61 | 5.1 | 0.14 | 10 | 5.5 | 2.5 | - | 26229E3 | 36229E3 | - | |
| | 33 | 6.3 x 12.7 | 74 | 5.7 | 0.14 | 6.8 | 3.6 | 1.9 | - | 26339E3 | 36339E3 | - | |
| | 47 | 7.7 x 12.7 | 96 | 6.4 | 0.14 | 4.7 | 2.6 | 1.0 | - | 26479E3 | 36479E3 | - | |

ORDERING EXAMPLE

Electrolytic capacitor 138 series

470 $\mu\text{F}/10\text{ V}$; $\pm 20\%$

Nominal case size: $\varnothing 8 \times 18\text{ mm}$; Form BA

Ordering code: MAL213834471E3

Former 12 NC: 2222 138 34471



Aluminum Capacitors
Axial Miniature, Long-Life

Vishay BCcomponents

| ELECTRICAL DATA AND ORDERING INFORMATION | | | | | | | | | | | | | |
|--|----------------------------------|--|--|----------------------------------|-----------------|----------------------|--------------------|---------------------|----------------------------|-----------------------------|----------------------------|-----------------------------|--|
| U _R (V) | C _R 100 HZ (μF) | NOMINAL CASE SIZE Ø D x L (mm) | I _R 100 Hz 105 °C (mA) | I _{L5} 5 min (μA) | tan δ 100 Hz | ESR 100 Hz (Ω) | Z 10 kHz (Ω) | Z 100 kHz (Ω) | ORDERING CODE MAL2138..... | | | | |
| | | | | | | | | | IN BOX FORM AA | TAPED ON REEL FORM BR | TAPED IN BOX FORM BA | MOUNTING RING FORM MR | |
| 25 | 100 | 6.5 x 18 | 160 | 9.0 | 0.13 | 2.1 | 1.2 | 0.55 | - | 26101E3 | 36101E3 | - | |
| | 220 | 10 x 18 | 270 | 15 | 0.13 | 0.94 | 0.55 | 0.27 | - | 26221E3 | 36221E3 | - | |
| | 470 | 10 x 25 | 440 | 28 | 0.13 | 0.44 | 0.26 | 0.17 | - | 26471E3 | 36471E3 | - | |
| | 680 | 10 x 30 | 580 | 38 | 0.14 | 0.36 | 0.26 | 0.25 | 16681E3 | 26681E3 | - | - | |
| | 1000 | 12.5 x 30 | 790 | 54 | 0.15 | 0.25 | 0.18 | 0.19 | 16102E3 | 26102E3 | - | - | |
| | 1500 | 15 x 30 | 1020 | 79 | 0.15 | 0.17 | 0.13 | 0.15 | 16152E3 | 26152E3 | - | 46152E3 | |
| | 2200 | 18 x 30 | 1320 | 110 | 0.17 | 0.13 | 0.10 | 0.13 | 16222E3 | - | - | 46222E3 | |
| | 3300 | 18 x 38 | 1720 | 170 | 0.17 | 0.090 | 0.071 | 0.11 | 16332E3 | - | - | 46332E3 | |
| | 4700 | 18 x 38 | 1840 | 240 | 0.21 | 0.076 | 0.063 | 0.10 | 16472E3 | - | - | 46472E3 | |
| 6800 | 21 x 38 | 2100 | 340 | 0.27 | 0.068 | 0.058 | 0.099 | 16682E3 | - | - | 46682E3 | | |
| 40 | 33 | 7.7 x 12.7 | 91 | 6.6 | 0.11 | 5.3 | 2.7 | 1.0 | - | 27339E3 | 37339E3 | - | |
| | 47 | 6.5 x 18 | 120 | 7.8 | 0.10 | 3.4 | 1.9 | 0.65 | - | 27479E3 | 37479E3 | - | |
| | 100 | 8 x 18 | 180 | 12 | 0.10 | 1.6 | 0.9 | 0.40 | - | 27101E3 | 37101E3 | - | |
| | 220 | 10 x 25 | 350 | 22 | 0.10 | 0.72 | 0.41 | 0.20 | - | 27221E3 | 37221E3 | - | |
| | 330 | 10 x 30 | 490 | 30 | 0.09 | 0.47 | 0.32 | 0.30 | 17331E3 | 27331E3 | - | - | |
| | 470 | 12.5 x 30 | 650 | 42 | 0.09 | 0.34 | 0.23 | 0.22 | 17471E3 | 27471E3 | - | - | |
| | 680 | 12.5 x 30 | 750 | 58 | 0.10 | 0.25 | 0.18 | 0.18 | 17681E3 | 27681E3 | - | - | |
| | 1000 | 15 x 30 | 970 | 84 | 0.10 | 0.17 | 0.12 | 0.14 | 17102E3 | 27102E3 | - | 47102E3 | |
| | 1500 | 18 x 30 | 1250 | 120 | 0.12 | 0.13 | 0.098 | 0.12 | 17152E3 | - | - | 47152E3 | |
| | 2200 | 18 x 38 | 1640 | 180 | 0.12 | 0.093 | 0.069 | 0.10 | 17222E3 | - | - | 47222E3 | |
| 3300 | 21 x 38 | 1810 | 270 | 0.15 | 0.079 | 0.061 | 0.10 | 17332E3 | - | - | 47332E3 | | |
| 50 | 10 | 6.3 x 12.7 | 51 | 5.0 | 0.09 | 14 | 7 | 2.7 | - | 21109E3 | 31109E3 | - | |
| | 22 | 7.7 x 12.7 | 82 | 6.2 | 0.09 | 6.5 | 3.2 | 1.1 | - | 21229E3 | 31229E3 | - | |
| | 100 | 10 x 18 | 230 | 14 | 0.08 | 1.3 | 0.7 | 0.30 | - | 21101E3 | 31101E3 | - | |
| 63 | 4.7 | 6.3 x 12.7 | 35 | 4.6 | 0.09 | 30 | 17 | 5 | - | 28478E3 | 38478E3 | - | |
| | 10 | 7.7 x 12.7 | 59 | 5.3 | 0.08 | 13 | 8 | 1.8 | - | 28109E3 | 38109E3 | - | |
| | 22 | 6.5 x 18 | 100 | 6.8 | 0.07 | 5.1 | 3.6 | 0.85 | - | 28229E3 | 38229E3 | - | |
| | 47 | 8 x 18 | 150 | 9.9 | 0.07 | 2.4 | 1.7 | 0.50 | - | 28479E3 | 38479E3 | - | |
| | 100 | 10 x 25 | 280 | 17 | 0.07 | 1.1 | 0.8 | 0.27 | - | 28101E3 | 38101E3 | - | |
| | 150 | 10 x 30 | 410 | 23 | 0.11 | 0.73 | 0.44 | 0.40 | 18151E3 | 28151E3 | - | - | |
| | 220 | 12.5 x 30 | 560 | 32 | 0.11 | 0.50 | 0.31 | 0.29 | 18221E3 | 28221E3 | - | - | |
| | 330 | 12.5 x 30 | 660 | 46 | 0.12 | 0.37 | 0.23 | 0.22 | 18331E3 | 28331E3 | - | - | |
| | 470 | 15 x 30 | 860 | 63 | 0.12 | 0.26 | 0.16 | 0.16 | 18471E3 | 28471E3 | - | 48471E3 | |
| | 680 | 18 x 30 | 1130 | 90 | 0.12 | 0.19 | 0.12 | 0.14 | 18681E3 | - | - | 48681E3 | |
| 1000 | 18 x 38 | 1460 | 130 | 0.12 | 0.13 | 0.086 | 0.11 | 18102E3 | - | - | 48102E3 | | |
| 1500 | 21 x 38 | 1680 | 190 | 0.13 | 0.10 | 0.072 | 0.11 | 18152E3 | - | - | 48152E3 | | |
| 100 | 1.0 | 6.3 x 12.7 | 16 | 4.2 | 0.09 | 140 | 55 | 10 | - | 29108E3 | 39108E3 | - | |
| | 2.2 | 6.3 x 12.7 | 24 | 4.4 | 0.09 | 65 | 25 | 8 | - | 29228E3 | 39228E3 | - | |
| | 4.7 | 7.7 x 12.7 | 40 | 4.9 | 0.08 | 27 | 17 | 5 | - | 29478E3 | 39478E3 | - | |
| | 10 | 6.5 x 18 | 67 | 6.0 | 0.07 | 11 | 8 | 2.4 | - | 29109E3 | 39109E3 | - | |
| | 22 | 8 x 18 | 100 | 8.4 | 0.07 | 5.1 | 3.6 | 1.4 | - | 29229E3 | 39229E3 | - | |
| | 47 | 10 x 25 | 190 | 13 | 0.07 | 2.4 | 1.7 | 0.67 | - | 29479E3 | 39479E3 | - | |
| | 68 | 10 x 30 | 300 | 18 | 0.07 | 1.7 | 1.1 | 0.97 | 19689E3 | 29689E3 | - | - | |
| | 100 | 12.5 x 30 | 410 | 24 | 0.07 | 1.1 | 0.77 | 0.67 | 19101E3 | 29101E3 | - | - | |
| | 150 | 15 x 30 | 550 | 34 | 0.07 | 0.78 | 0.52 | 0.46 | 19151E3 | 29151E3 | - | 49151E3 | |
| | 220 | 15 x 30 | 650 | 48 | 0.07 | 0.54 | 0.37 | 0.33 | 19221E3 | 29221E3 | - | 49221E3 | |
| | 330 | 18 x 30 | 880 | 70 | 0.08 | 0.38 | 0.27 | 0.24 | 19331E3 | - | - | 49331E3 | |
| | 470 | 18 x 38 | 1130 | 98 | 0.08 | 0.27 | 0.19 | 0.17 | 19471E3 | - | - | 49471E3 | |
| 680 | 21 x 38 | 1330 | 140 | 0.09 | 0.21 | 0.14 | 0.14 | 19681E3 | - | - | 49681E3 | | |



| ADDITIONAL ELECTRICAL DATA | | | |
|------------------------------------|---|---|---------------|
| PARAMETER | CONDITIONS | VALUE | |
| | | AXIAL | MOUNTING RING |
| Voltage | | | |
| Surge voltage | | $U_s \leq 1.15 \times U_R$ | |
| Reverse voltage | | $U_{rev} \leq 1 \text{ V}$ | |
| Current | | | |
| Leakage current | After 1 minute at U_R : case $\varnothing D \times L = 6.3 \times 12.7$ and 7.7×12.7 mm case $\varnothing D \times L = 6.5 \times 18$ to 21×38 mm | $I_{L1} \leq 0.02 C_R \times U_R + 3 \mu\text{A}$ $I_{L1} \leq 0.006 C_R \times U_R + 4 \mu\text{A}$ | |
| | After 5 minutes at U_R | $I_{L5} \leq 0.002 C_R \times U_R + 4 \mu\text{A}$ | |
| Inductance | | | |
| Equivalent series inductance (ESL) | Case $\varnothing D \times L$ mm: | | |
| | 6.3 x 12.7 | typ. 20 nH | - |
| | 7.7 x 12.7 | typ. 30 nH | - |
| | 6.5 x 18 | typ. 15 nH | - |
| | 8 x 18 | typ. 35 nH | - |
| | 10 x 18 | typ. 69 nH | - |
| | 10 x 25 | typ. 38 nH | - |
| | 10 x 30 | typ. 38 nH | - |
| | 12.5 x 30 | typ. 46 nH | - |
| | 15 x 30 | typ. 48 nH | typ. 39 nH |
| | 18 x 30 | typ. 50 nH | typ. 39 nH |
| | 18 x 38 | typ. 54 nH | typ. 39 nH |
| 21 x 38 | typ. 59 nH | typ. 39 nH | |

CAPACITANCE (C)

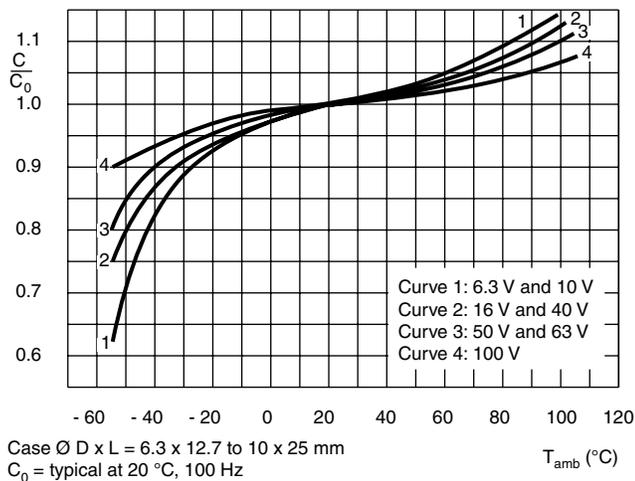


Fig.6 Typical multiplier of capacitance as a function of ambient temperature

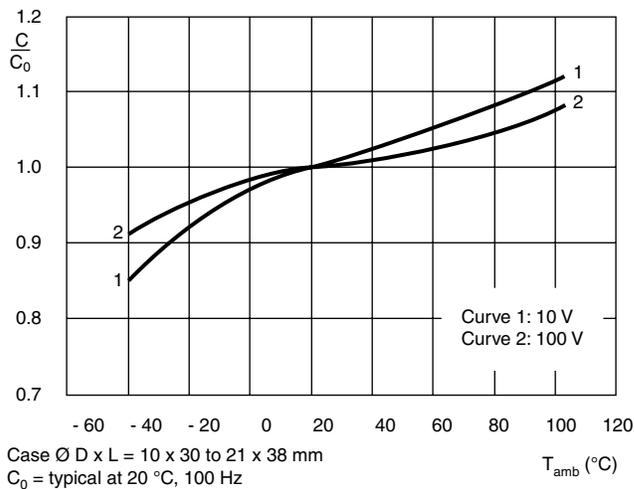


Fig.7 Typical multiplier of capacitance as a function of ambient temperature

EQUIVALENT SERIES RESISTANCE (ESR)

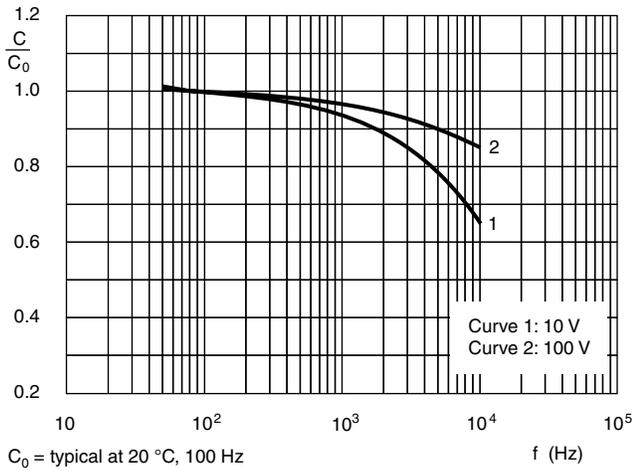


Fig.8 Typical multiplier of capacitance as a function of frequency

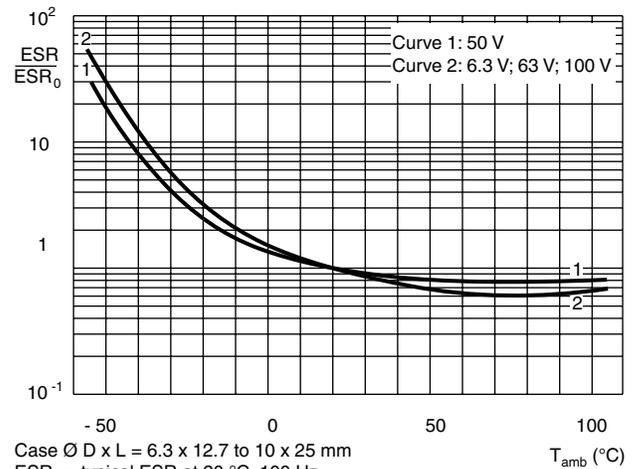


Fig.9 Typical multiplier of ESR as a function of ambient temperature

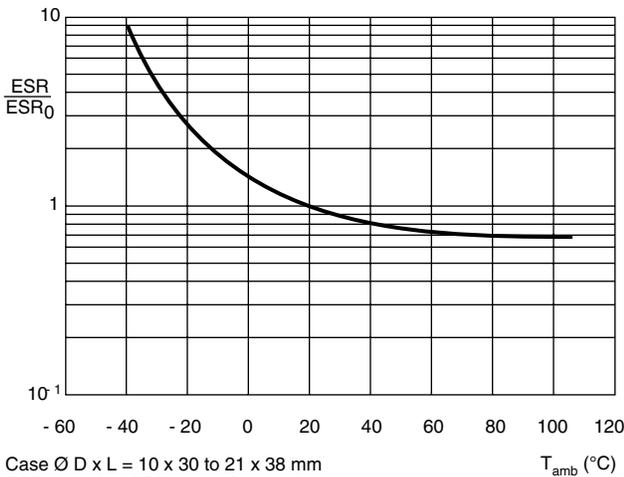


Fig.10 Typical multiplier of ESR as a function of ambient temperature

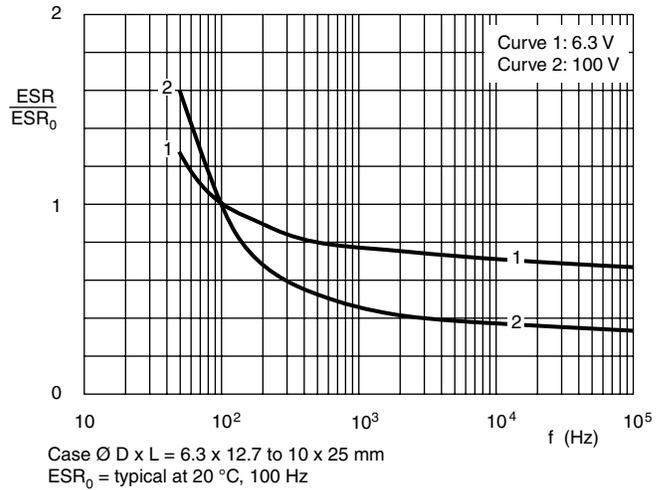


Fig.11 Typical multiplier ESR as a function of frequency

EQUIVALENT SERIES RESISTANCE (ESR)

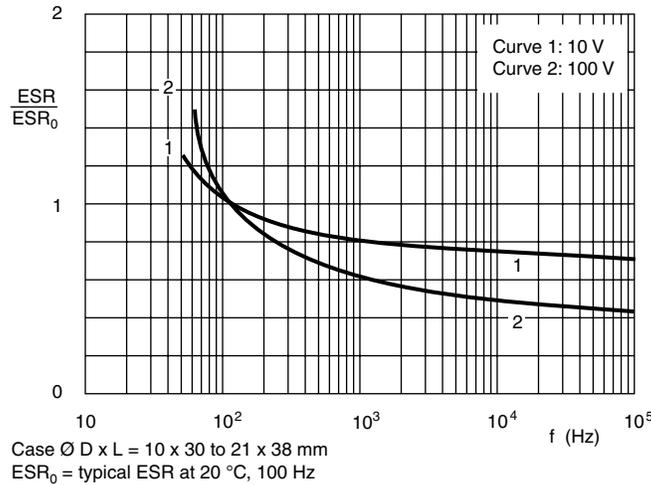


Fig.12 Typical multiplier ESR as a function of frequency

IMPEDANCE (Z)

Table 4

| IMPEDANCE VS. CAPACITANCE VALUES (case $\varnothing D \times L = 6.3 \times 12.7$ to 10×25 mm) | | | | | | | | |
|--|---|--------|--------|--------|--------|-------|--------|--------|
| T_{amb} | Z x C_R ($\Omega \times \mu F$) AT 10 kHz | | | | | | | |
| | 6.3 V | 10 V | 16 V | 25 V | 40 V | 50 V | 63 V | 100 V |
| + 20 °C | ≤ 300 | ≤ 200 | ≤ 160 | ≤ 120 | ≤ 90 | ≤ 70 | ≤ 80 | ≤ 80 |
| - 25 °C | ≤ 2000 | ≤ 1200 | ≤ 750 | ≤ 560 | ≤ 450 | ≤ 300 | ≤ 550 | ≤ 550 |
| - 40 °C | ≤ 5500 | ≤ 3200 | ≤ 2000 | ≤ 1500 | ≤ 1200 | ≤ 900 | ≤ 1500 | ≤ 1500 |

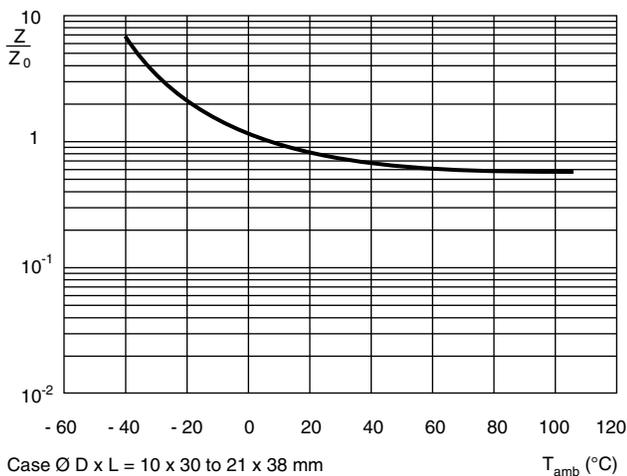


Fig.13 Typical multiplier of ESR as a function of ambient temperature at 10 kHz

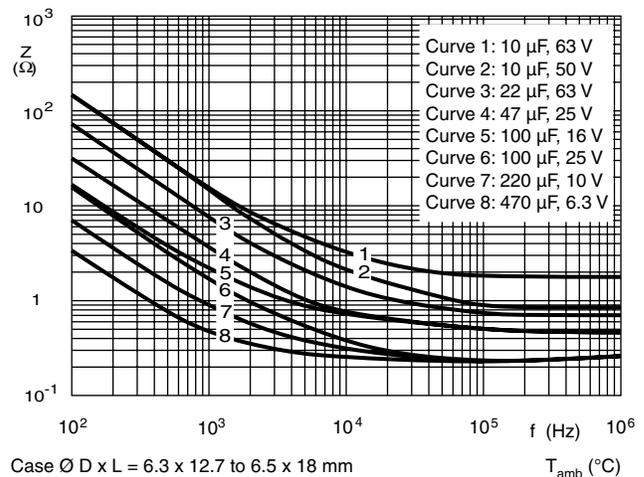


Fig.14 Typical impedance as a function of frequency

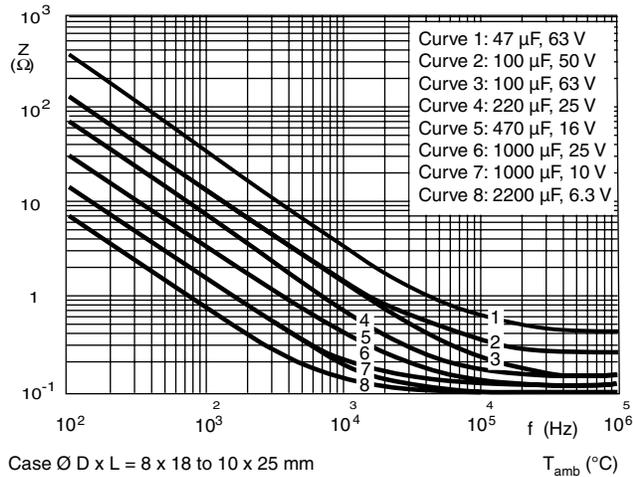


Fig.15 Typical impedance as a function of frequency

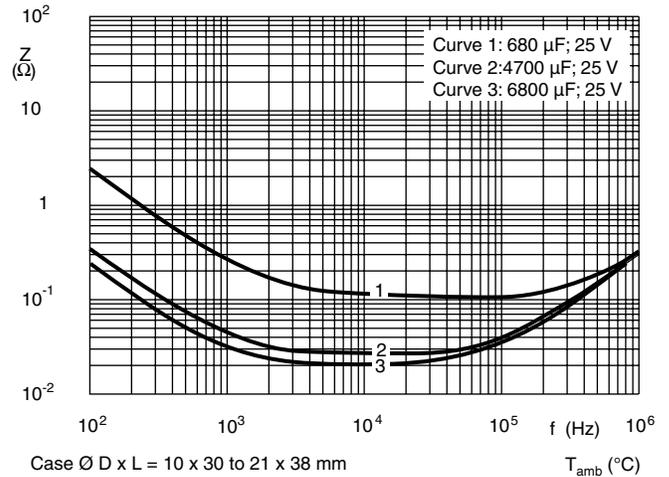


Fig.16 Typical impedance as a function of frequency

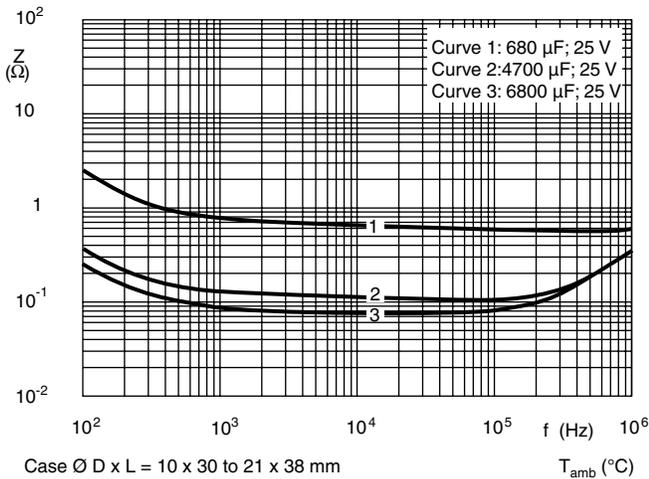


Fig.17 Typical impedance as a function of frequency

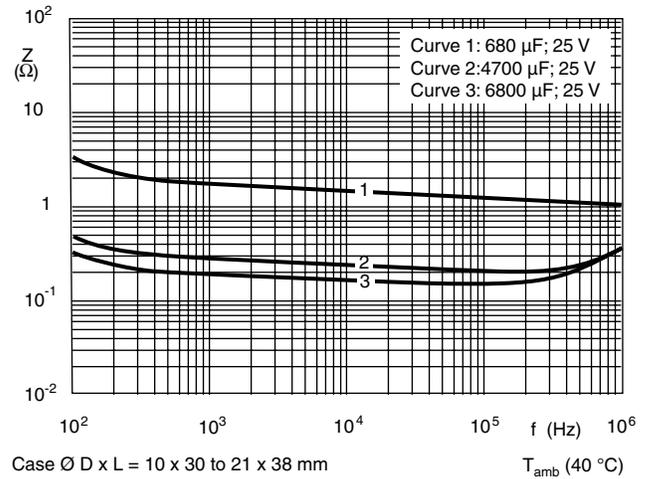
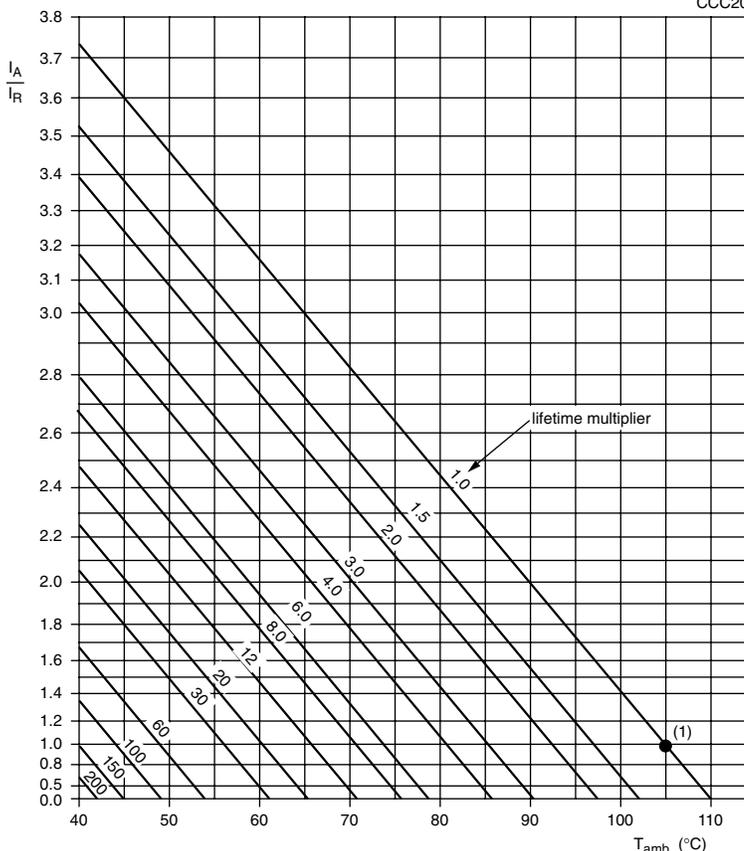


Fig.18 Typical impedance as a function of frequency



RIPPLE CURRENT AND USEFUL LIFE

CCC206



I_A = actual ripple current at 100 Hz

I_R = rated ripple current at 100 Hz, 105 °C

(1) Useful life at 105 °C and I_R applied:
 case Ø D x L = 6.3 x 12.7 to 10 x 25 mm: 2000 hours
 case Ø D x L = 10 x 30 to 21 x 38 mm: 10 000 hours

Fig.19 Multiplier of useful life as a function of ambient temperature and ripple current load

Table 5

| MULTIPLIER OF RIPPLE CURRENT (I_R) AS A FUNCTION OF FREQUENCY | | | |
|---|--|---|--|
| FREQUENCY (Hz) | I_R MULTIPLIER | | |
| | $U_R = 6.3$ to 10 V | $U_R = 16$ to 25 V | $U_R = 40$ to 100 V |
| 50 | 0.95 | 0.90 | 0.85 |
| 100 | 1.00 | 1.00 | 1.00 |
| 300 | 1.07 | 1.12 | 1.20 |
| 1000 | 1.12 | 1.20 | 1.30 |
| 3000 | 1.15 | 1.25 | 1.35 |
| ≥ 10 000 | 1.20 | 1.30 | 1.40 |



Table 6

| TEST PROCEDURES AND REQUIREMENTS | | | |
|--|---|---|--|
| TEST | | PROCEDURE (quick reference) | REQUIREMENTS |
| NAME OF TEST | REFERENCE | | |
| Endurance | IEC 60384-4/ EN130300 subclause 4.13 | $T_{amb} = 105\text{ }^{\circ}\text{C}$; U_R applied; case $\varnothing D \times L$: 6.3 x 12.7 to 10 x 25 mm: 1000 hours; 10 x 30 to 21 x 38 mm: 5000 hours | $U_R \leq 6.3\text{ V}$; $\Delta C/C$: + 15/- 30 % $U_R > 6.3\text{ V}$; $\Delta C/C$: $\pm 15\%$ $\tan \delta \leq 1.3 \times \text{spec. limit}$ $Z \leq 2 \times \text{spec. limit}$ $I_{L5} \leq \text{spec. limit}$ |
| Useful life | CECC 30301 subclause 1.8.1 | $T_{amb} = 105\text{ }^{\circ}\text{C}$; U_R and I_R applied; case $\varnothing D \times L$: 6.3 x 12.7 to 10 x 25 mm: 2000 hours; 10 x 30 to 21 x 38 mm: 10 000 hours | $U_R \leq 6.3\text{ V}$; $\Delta C/C$: + 45/- 50 % $U_R > 6.3\text{ V}$; $\Delta C/C$: $\pm 45\%$ $\tan \delta \leq 3 \times \text{spec. limit}$ $Z \leq 3 \times \text{spec. limit}$ $I_{L5} \leq \text{spec. limit}$ no short or open circuit total failure percentage: $\leq 1\%$ |
| Shelf life (storage at high temperature) | IEC 60384-4/ EN130300, subclause 4.17 | $T_{amb} = 105\text{ }^{\circ}\text{C}$; no voltage applied; 500 hours after test: U_R to be applied for 30 minutes, 24 to 48 hours before measurement | $\Delta C/C$, $\tan \delta$, Z : for requirements see 'Endurance test' above $I_{L5} \leq 2 \times \text{spec. limit}$ |



Disclaimer

All product specifications and data are subject to change without notice.

Vishay Intertechnology, Inc., its affiliates, agents, and employees, and all persons acting on its or their behalf (collectively, "Vishay"), disclaim any and all liability for any errors, inaccuracies or incompleteness contained herein or in any other disclosure relating to any product.

Vishay disclaims any and all liability arising out of the use or application of any product described herein or of any information provided herein to the maximum extent permitted by law. The product specifications do not expand or otherwise modify Vishay's terms and conditions of purchase, including but not limited to the warranty expressed therein, which apply to these products.

No license, express or implied, by estoppel or otherwise, to any intellectual property rights is granted by this document or by any conduct of Vishay.

The products shown herein are not designed for use in medical, life-saving, or life-sustaining applications unless otherwise expressly indicated. Customers using or selling Vishay products not expressly indicated for use in such applications do so entirely at their own risk and agree to fully indemnify Vishay for any damages arising or resulting from such use or sale. Please contact authorized Vishay personnel to obtain written terms and conditions regarding products designed for such applications.

Product names and markings noted herein may be trademarks of their respective owners.