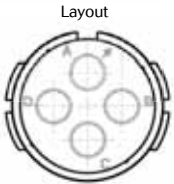


UTS Series

183G1



Specifications

Contact type	Connector type	Backshell	Part number	
			Male insert	Female insert
Crimp contacts supplied separately see page 11	NPT threaded receptacle	Without (Fig.1)	UTS7183G1PNPT	UTS7183G1SNPT ☺
	Plug	Without (Fig.2)	UTS6183G1P	UTS6183G1S
	Plug	Cable gland (Fig.3)	UTS6JC183G1P ☺	UTS6JC183G1S

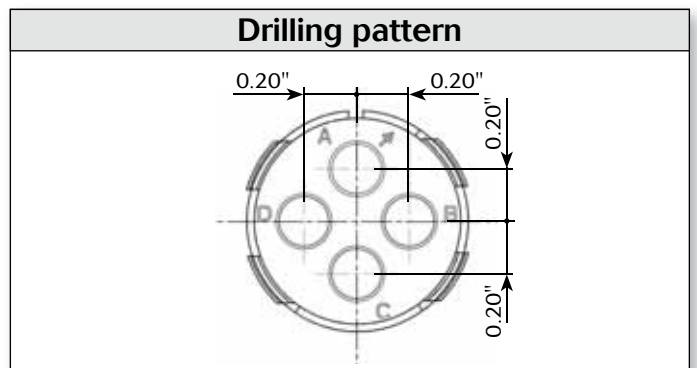
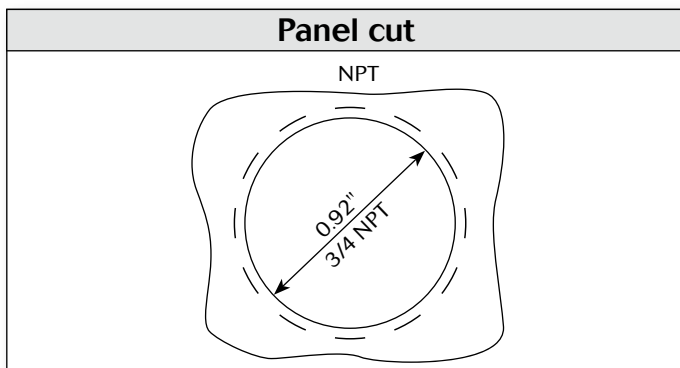
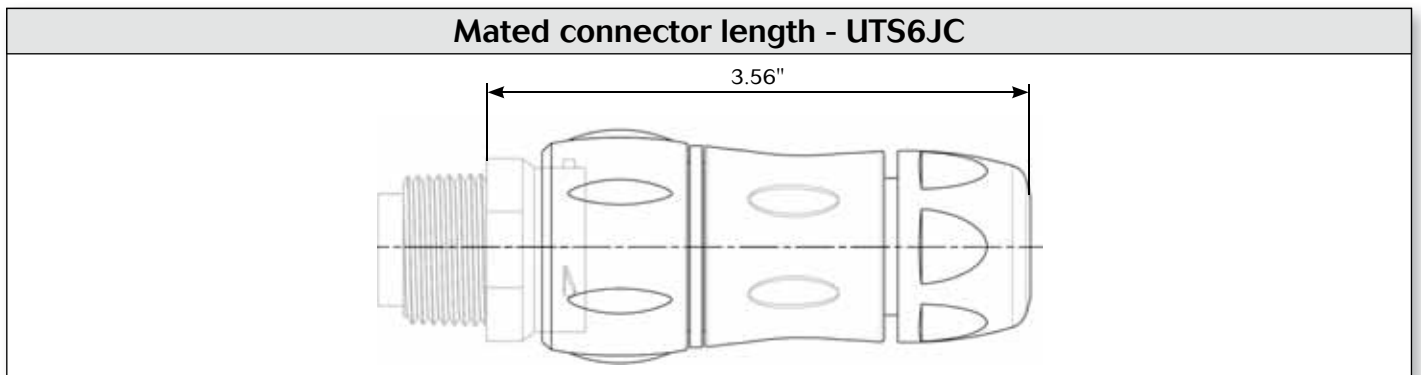
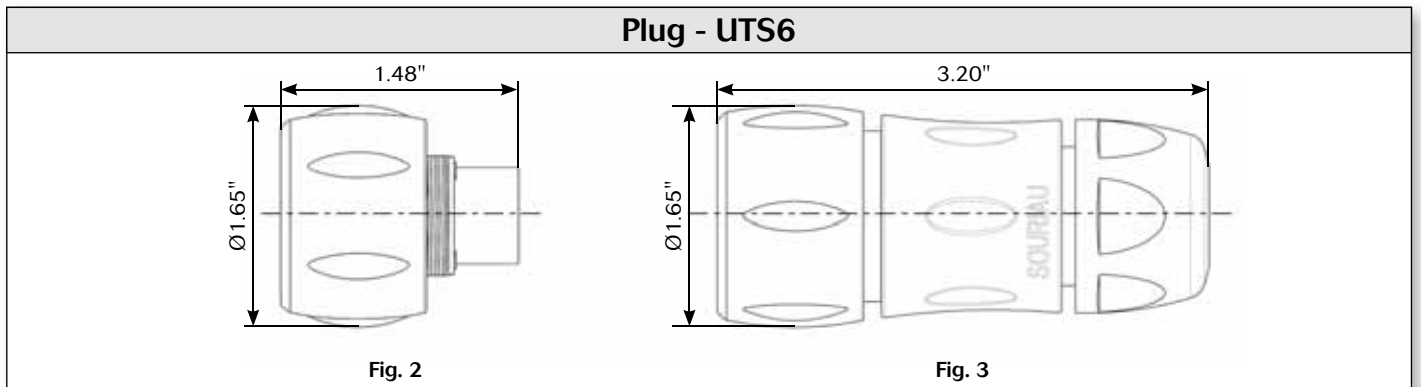
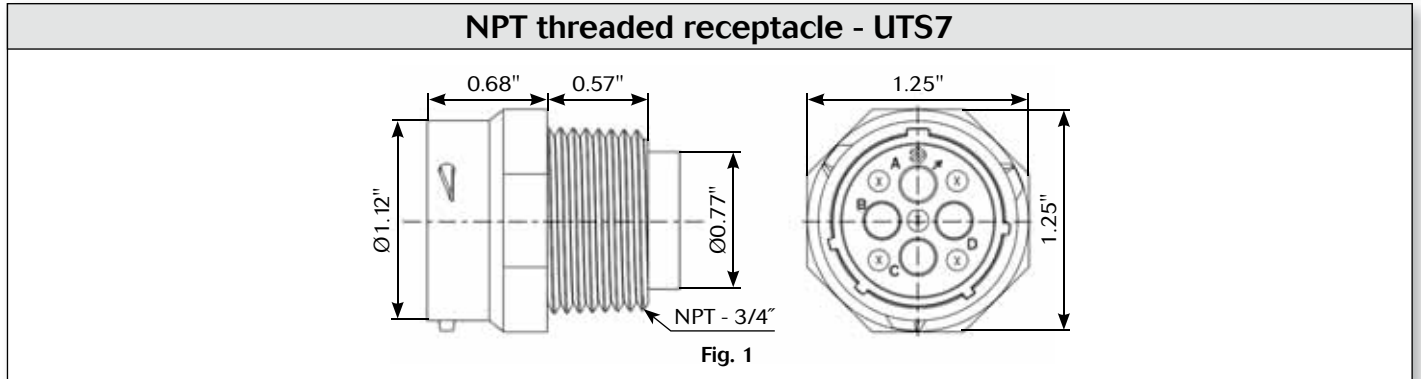
48h sample service ☺

UTS Series

183G1

3 + ground
44A/600V
per UL 1977

Dimensions



Note: All dimensions in inches unless otherwise noted.