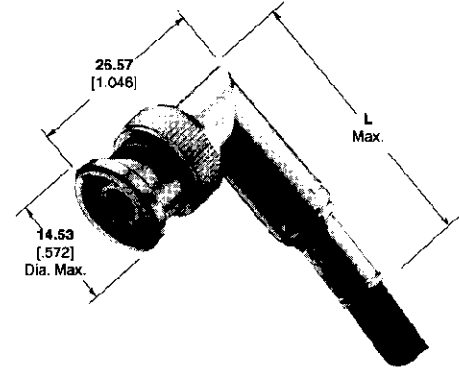
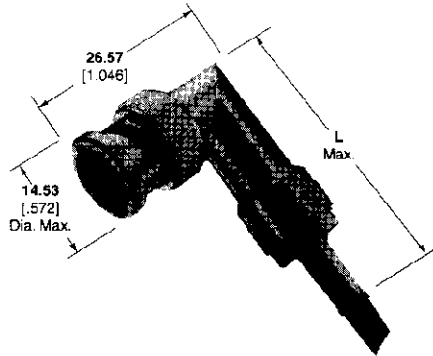


**BNC Connectors, 50 Ohm for T3/E3 Applications** (Continued)

**Right Angle Plugs, Crimp**

**Single Crimp**

**Dual Crimp**



Connector Cable Range Selection Code	RG/U Cable	Termination Type	Center Contact Plating	Body Plating	Dielectric	Style	M39012/ Military No. and/or Comments	Part No.	Dim. L	CERTI-CRIMP Hand Tool with Integral Die	Interchangeable Dies for PRO-CRIMPER Hand Tool 354940-1 or PRO-CRIMPER Adapter 679304-1	Interchangeable Dies for Hand Tool 69710-1 & 626 Pneu. Head 318161-1
B	174, 188, 186A, 316	Hex Crimp	Gold	Nickel	Polymethyl-pentene	Commercial	—	<b>413959-3</b>	<b>39.45</b> 1.553	—	58436-3	—
		Single Crimp	Gold	Silver	TEFLON	Mil Type	—	<b>331178</b>	<b>44.45</b> 1.750	69245-1	—	69422
B1	179, 179A, 179B, 161, 187, 187A, Belden 9221	Hex Crimp	Gold	Nickel	Polymethyl-pentene	Commercial	—	<b>413959-4</b>	<b>39.45</b> 1.553	—	58436-3	—
		Single Crimp	Gold	Silver	TEFLON	Mil Type	—	<b>331179</b>	<b>44.45</b> 1.750	69245-1	—	69408
B3	RD 3*6, 188	Dual Crimp	Gold	Nickel	TEFLON	Mil Type	—	<b>1-225974-1</b>	<b>37.29</b> 1.468	220009-1	—	220026-1
C1	180, 180A, 180B, 195, 195A	Hex Crimp	Gold	Nickel	Polymethyl-pentene	Commercial	—	<b>413959-5</b>	<b>39.45</b> 1.553	—	58436-3	—
C2	Belden 9907, 89907, 8219, Comm/Scope 2104, 3104	Hex Crimp	Gold	Nickel	Polymethyl-pentene	Commercial	—	<b>413959-6</b>	<b>39.45</b> 1.553	—	58433-2 <sup>2</sup> 58436-1 <sup>1</sup>	—
		Hex Crimp	Gold	Nickel	Polymethyl-pentene	Commercial	—	<b>413959-1</b>	<b>39.45</b> 1.553	—	58436-1	—
D	58, 58A, 58B, 58C	Dual Crimp	Gold	Silver	TEFLON	Mil Type	—	<b>225973-1</b>	<b>37.29</b> 1.468	69478-1	220189-3	69726 or 69727
		Dual Crimp	Gold	Nickel	TEFLON	Mil Type	—	<b>225974-1</b>	<b>37.29</b> 1.468	69478-1	220189-3	69726 or 69727
		Single Crimp	Gold	Silver	TEFLON	Mil Type	—	<b>331175</b>	<b>44.45</b> 1.750	69140-1	—	69223-1
F	55, 55A, 55B, 223	Dual Crimp	Gold	Nickel	TEFLON	Mil Type	—	<b>225974-2</b>	<b>37.29</b> 1.468	69478-1	220189-3	69727
		Single Crimp	Gold	Silver	TEFLON	Mil Type	—	<b>331182</b>	<b>44.45</b> 1.750	69140-2 or 69331-1	—	69424-1 or 69429-1
E1	142, 142A, 142B, 40C	Single Crimp	Gold	Silver	TEFLON	Mil Type	—	<b>331182</b>	<b>44.45</b> 1.750	69140-2 or 69331-1	—	69424-1 or 69429-1
		Dual Crimp	Gold	Silver	TEFLON	Mil Type	—	<b>225973-4</b>	<b>37.29</b> 1.468	69478-1	220189-3	69726-1 or 69727
G	124, 140, 210, 62, 62A, 62B, 59, 59A, 69B, Belden 9291, 9239, 9269	Hex Crimp	Gold	Nickel	Polymethyl-pentene	Commercial	—	<b>413959-2</b>	<b>39.45</b> 1.553	—	58433-2 <sup>2</sup> 58436-1 <sup>1</sup>	—
		Dual Crimp	Gold	Nickel	TEFLON	Mil Type	—	<b>225974-5</b>	<b>37.29</b> 1.468	69477-1	56537-1	69669-1
		Single Crimp	Gold	Silver	TEFLON	Mil Type	—	<b>331176</b>	<b>44.45</b> 1.750	69141-1	—	69224-1
K2	Belden 8261, 9141, 9231, Western Electric 724, 72B, 3049	Single Crimp	Gold	Silver	TEFLON	Mil Type	—	<b>50635</b>	<b>44.45</b> 1.750	69652	—	220000

<sup>1</sup>Die Set Only.  
<sup>2</sup>Hand Tool with Die Set.

Input/Output

Serial Applications