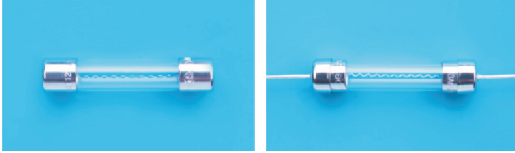


3AGD0808



Electrical Characteristics (UL/CSA STD. 248-14)

Testing current	Blow Time	
	Minimum	Maximum
100%	4 Hrs.	N/A
135%	N/A	1 Hr
200%	N/A	5 sec

Approvals



Safety Agency Approvals	Type	Amp range/Volt @ I.R. ability
UL _{US} Listed File No. E20624	3AG / 3AP	100mA - 10A / 250V AC@ 200A
SP Certified File No. LR39772		100mA - 15A / 125V AC@ 10,000A
PS E File No. JET1037-31003-1001, JET1037-31003-1003	3AG / 3AP	1A - 5A / 125V AC@ 500A
File No. JET1037-31003-1002	3AG	>5A - 15A / 125V AC@ 300A

RoHS 6 Compliant Product

Operating Temperature

-55°C to +125°C

Physical Specification

Materials

Glass body / Nickel Plated Brass Caps

Lead wire:

- Matte Tin Plated Copper,
- Diameter 0.032", 7A and less
- Diameter 0.040", 8A and above

Marking

On fuse:

"bel", "3AG", "Current Rating", "Voltage Rating",
"Appropriate Safety Logos", "✓" (RoHS 6 compliant)

On label:

"bel", "3AG" or "3AP", "Current Rating", "Voltage Rating",
"Interrupting Rating", "Appropriate Safety Logos"
and "PS E", "e" (China RoHS compliant)

Voltage on fuse:

250V for 100mA to 10A; 125V for 12A and above

Packaging

1. In bulk:

3AG - 1,000 pcs per box; 3AP - 500 pcs per box

2. On Axial Tape & Reel:

1,000 pcs per reel

3. Tape & Reel specification:

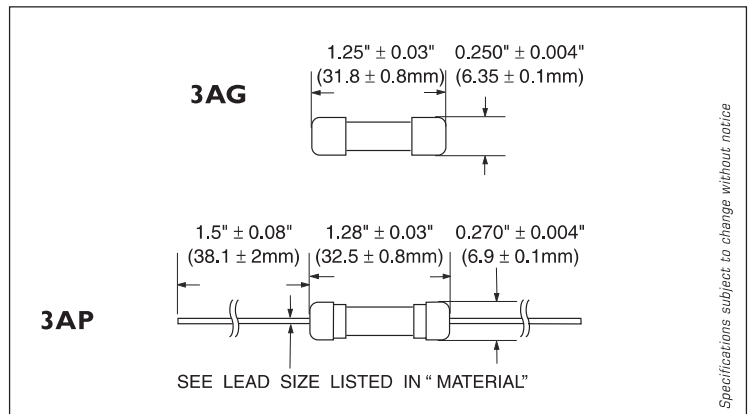
per EIA-296-E & IEC 286-1

@ 10mm Pitch and 73mm inside Tape Spacing

Catalog Number	Ampere Rating	Typical Cold Resistance (ohm)	Volt-drop @100% I _n (Volt) max.	Melting I ² T < 10 mSec (A ² Sec)	Melting I ² T @10 I _n (A ² Sec)	Maximum Power Dissipation (W)
3AG (3AP) 100-R	100mA	12.5	4.5	0.002	0.002	0.59
3AG (3AP) 125-R	125mA	12.0	4.5	0.004	0.003	0.80
3AG (3AP) 160-R	160mA	8.3	4.2	0.008	0.006	0.94
3AG (3AP) 200-R	200mA	4.6	3.9	0.014	0.010	1.10
3AG (3AP) 250-R	250mA	3.5	3.6	0.025	0.019	1.29
3AG (3AP) 300-R	300mA	2.7	3.4	0.044	0.034	1.51
3AG (3AP) 375-R	375mA	2.0	3.2	0.071	0.055	1.64
3AG (3AP) 400-R	400mA	1.6	3.1	0.080	0.080	1.71
3AG (3AP) 500-R	500mA	1.28	2.9	0.14	0.11	1.88
3AG (3AP) 750-R	750mA	0.68	2.3	0.19	0.17	2.15
3AG (3AP) 1-R	1A	0.16	0.27	1.4	1.4	0.37
3AG (3AP) 1.25-R	1.25A	0.11	0.24	2.4	2.5	0.44
3AG (3AP) 1.6-R	1.6A	0.08	0.22	4.2	4.4	0.51
3AG (3AP) 2-R	2A	0.063	0.20	7.2	7.6	0.59
3AG (3AP) 2.5-R	2.5A	0.047	0.18	12	13	0.70
3AG (3AP) 3-R	3A	0.035	0.170	21	23	0.83
3AG (3AP) 3.5-R	3.5A	0.030	0.157	28	31	0.91
3AG (3AP) 4-R	4A	0.026	0.154	36	40	1.0
3AG (3AP) 5-R	5A	0.020	0.146	63	70	1.2
3AG (3AP) 6-R	6A	0.015	0.139	107	123	1.4
3AG (3AP) 7-R	7A	0.013	0.135	141	162	1.6
3AG (3AP) 8-R	8A	0.011	0.132	184	214	1.7
3AG (3AP) 10-R	10A	0.009	0.125	316	372	2.0
3AG (3AP) 12-R	12A	0.007	0.120	501	597	2.4
3AG (3AP) 15-R	15A	0.006	0.114	845	1023	2.8

Consult manufacturer for other ratings

Mechanical Dimensions



Specifications subject to change without notice

ORDERING INFORMATION SEE LAST 2 PAGES

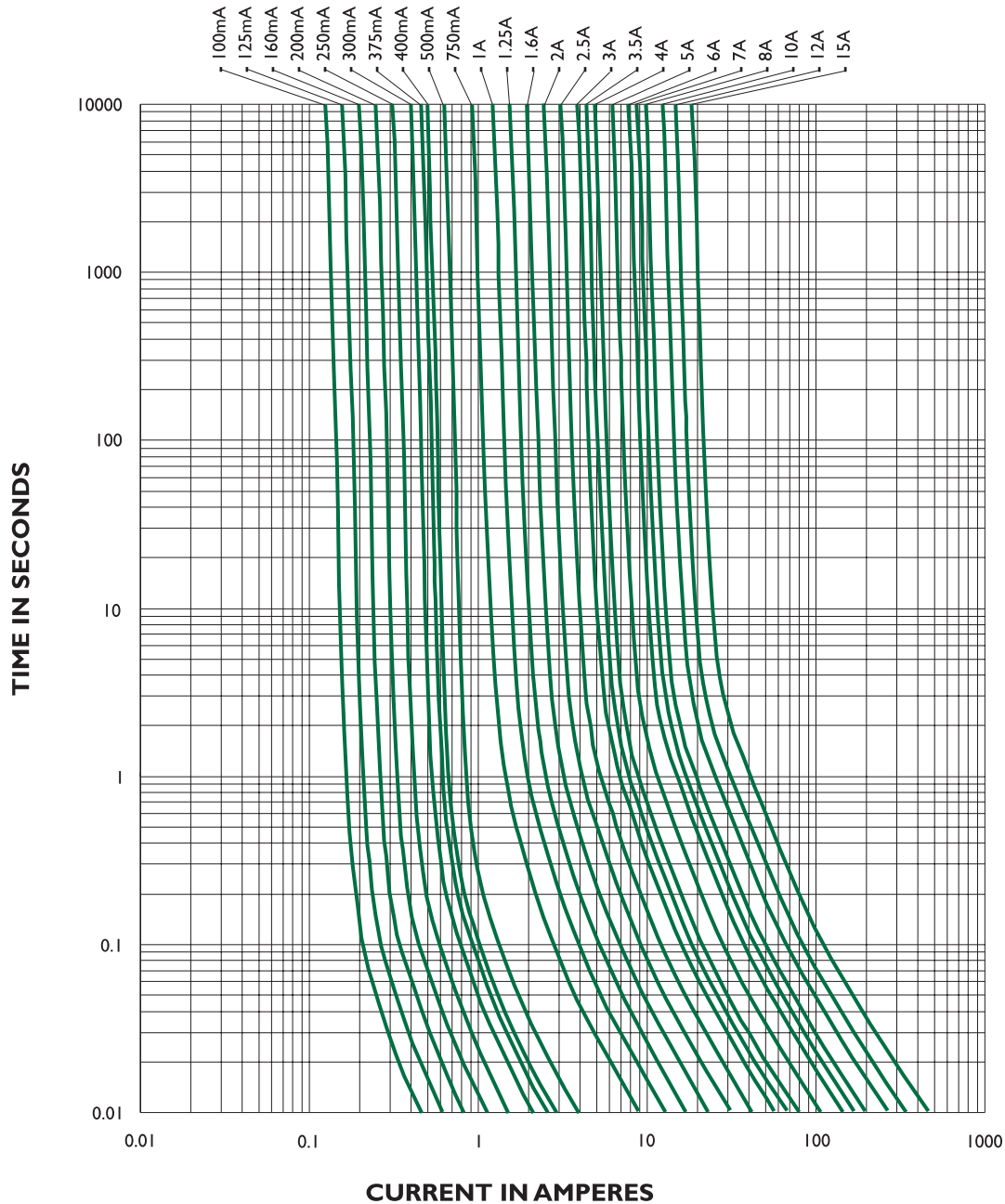
Type 3AG / 3AP
Fast Blow Fuse Series

1/4 x 1 1/4 inch Glass Tube
RoHS 6 Compliant



3AGC0808

3AG / 3AP - TIME CURRENT CHARACTERISTIC CURVE



Specifications subject to change without notice

NOTE - see important information under "User Guide" on P.08

Corporate Office

Bel Fuse Inc.
206 Van Vorst Street, Jersey City, NJ 07302
Tel: 201-432-0463
Fax: 201-432-9542
E-Mail: belfuse@belfuse.com
Website: www.belfuse.com

Far East Office

Bel Fuse Ltd.
8F/8 Luk Hop Street,
San Po Kong
Kowloon, Hong Kong
Tel: 852-2328-5515
Fax: 852-2352-3706

European Office

Bel Fuse Europe Ltd.
Preston Technology Management Centre
Marsh Lane, Preston PR1 8UG
Lancashire, U.K
Tel: 44-1772-556601
Fax: 44-1772-888366