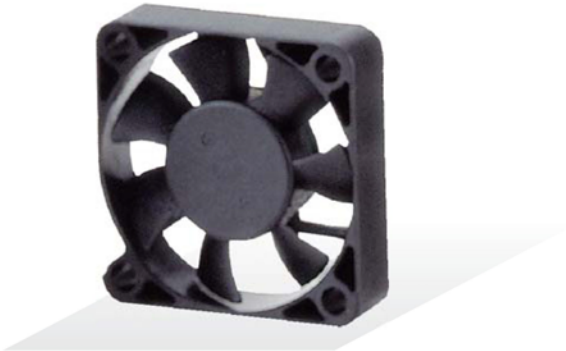
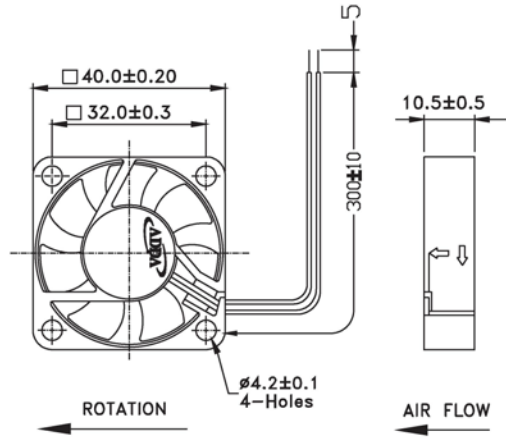


AD4010 SERIES



External Dimensions



Frame: Plastic(UL:94V-0)
 Impeller: Plastic(UL:94V-0)
 Bearing: Ball, Sleeve, 1B1S, Hydro bearing
 Lead wire: UL1007AWG26
 VOLTAGE AVAILABLE: 5V, 12V, 24V

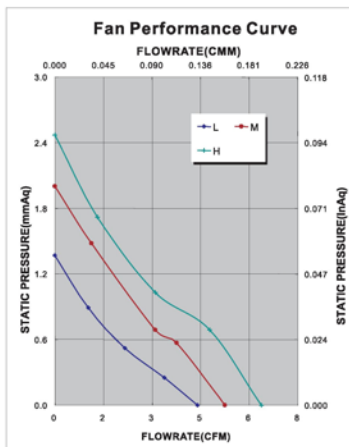
Specifications(Nominal)

*Noise is measured at the distance of one (1) meter from the axis of intake.

Bearing type: ●=Ball ※=Sleeve ○=1B1S ●=Hydro bearing

| Frame size (mm) | Model No. | Bearing System Type | Rated Voltage (VDC) | Current (A) | Power (W) | Rated Speed (rpm) | Maximum AirFlow (CMM) | Maximum AirFlow (CFM) | Maximum Pressure (InAq) | Maximum Pressure (mmAq) | *Noise Level (dB/A) | Weight (g) |
|-----------------|--------------|---------------------|---------------------|-------------|-----------|-------------------|-----------------------|-----------------------|-------------------------|-------------------------|---------------------|------------|
| 40x40x10 | AD0405LB-G70 | ◎ ※ ○ ● | 5 | 0.07 | 0.35 | 4200 | 0.132 | 4.70 | 0.061 | 1.52 | 14.0 | 17.0 |
| | AD0405MB-G70 | ◎ ※ ○ ● | 5 | 0.11 | 0.55 | 4800 | 0.161 | 5.70 | 0.078 | 1.98 | 20.0 | |
| | AD0405HB-G70 | ◎ ※ ○ ● | 5 | 0.16 | 0.80 | 6000 | 0.189 | 6.70 | 0.102 | 2.54 | 25.0 | |
| | AD0412LB-G70 | ◎ ※ ○ ● | 12 | 0.06 | 0.72 | 4200 | 0.132 | 4.70 | 0.061 | 1.52 | 14.0 | |
| | AD0412MB-G70 | ◎ ※ ○ ● | 12 | 0.06 | 0.72 | 4800 | 0.161 | 5.70 | 0.078 | 1.98 | 20.0 | |
| | AD0412HB-G70 | ◎ ※ ○ ● | 12 | 0.09 | 1.08 | 6000 | 0.189 | 6.70 | 0.102 | 2.54 | 25.0 | |
| | AD0424LB-G70 | ◎ ※ ○ ● | 24 | 0.03 | 0.72 | 4200 | 0.132 | 4.70 | 0.061 | 1.52 | 14.0 | |
| | AD0424MB-G70 | ◎ ※ ○ ● | 24 | 0.04 | 0.96 | 4800 | 0.161 | 5.70 | 0.078 | 1.98 | 20.0 | |
| AD0424HB-G70 | ◎ ※ ○ ● | 24 | 0.06 | 1.44 | 6000 | 0.189 | 6.70 | 0.102 | 2.54 | 25.0 | | |

Specifications subject to change without notice.



*Motor protective circuit and third lead wire functions

| | | | | | | | | | | |
|---|---|---|---|---|---|---|---|---|---|---|
| 0 | 1 | 2 | 3 | 4 | 6 | 7 | 8 | 9 | A | B |
| ✓ | ✓ | ✓ | ✓ | | ✓ | | | | | ✓ |

*Safety approvals

| | | | | |
|---|---|--|---|---|
| | | | | |
| ✓ | ✓ | | ✓ | ✓ |