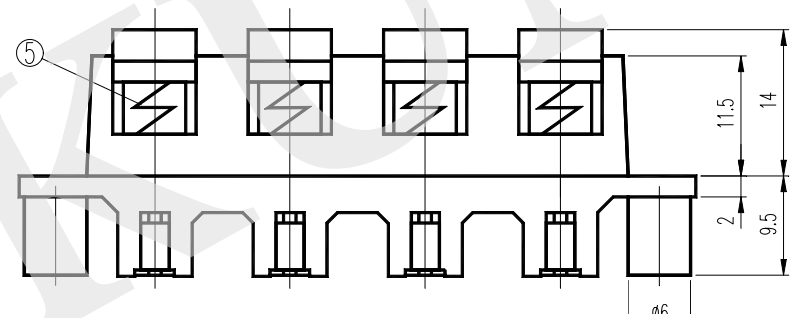
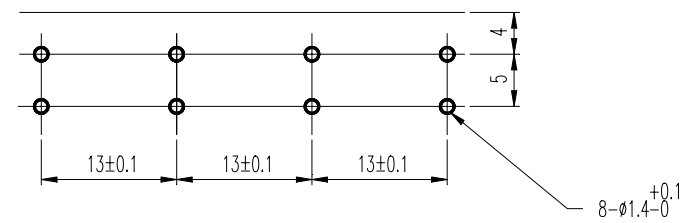
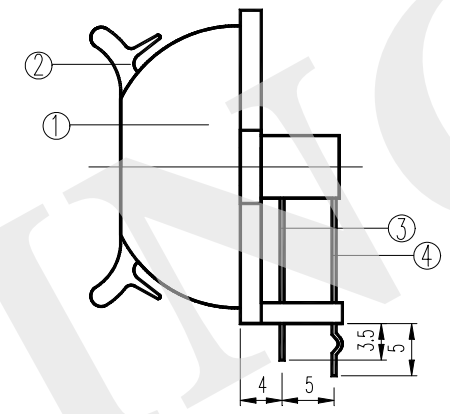
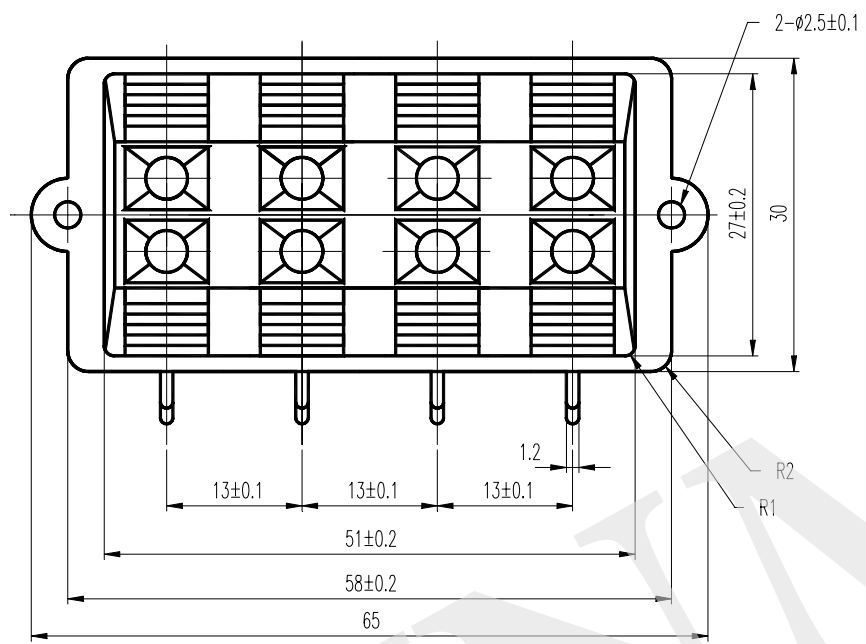


REVISIONS				
LTR	DESCRIPTION	DATE	REVISED	APPROVED
△ x 1	更改鍍層參照顏色料號對照表.	2004.06.08	JOLLY	JOHNSON



5	SPRING	8	SWC $\phi$ 0.55	△Please refer color combination list.
4	CONTACT	4	C2680-1/2 ; t=0.5	
3	CONTACT	4	C2680-1/2 ; t=0.5	
2	PUSH PLATE	8	ABS 94HB	
1	HOUSING	1	ABS 94HB	

LTR	PART NAME	QTY	MATERIAL	REMARK
DSND	CWFENG	DATE	1992.10.12	NAME PUSH TERMINAL CAT. No. HSP-118V_-__
DWN	JOLLY	DATE	2004.06.08	
CHKD	JOHNSON	DATE	2004.06.08	
APVD	ERIC	DATE	2004.06.08	
UNIT : mm				

<b>KUNMING ELECTRONICS CO., LTD.</b>			DWN. No.	1/1
			A-118V	B

UNLESS OTHERWISE SPECIFIED, TOLERANCE ON DECIMAL:±0.3 ANGLES:±5°