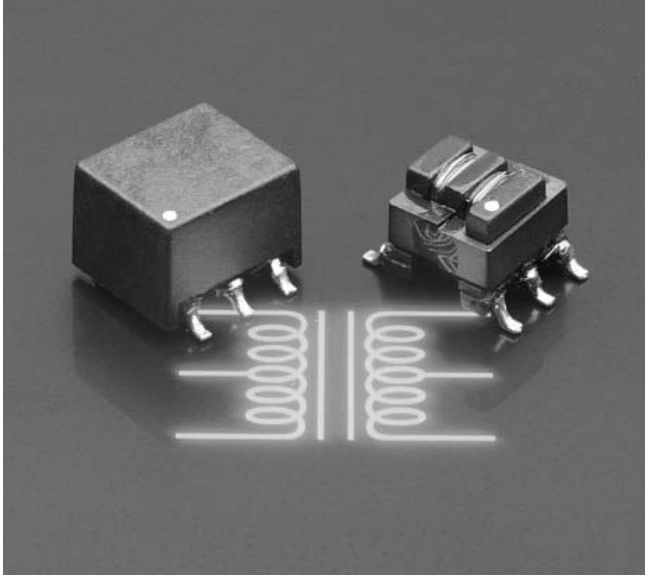


Miniature SMT Transformers



Designed specifically for use with Maxim RS-232/RS-485 interface ICs, these miniature transformers are also suitable for gate drive and other power applications. They were designed to work with the MAX250, MAX251, MAX253 and MAX845 for providing power to the isolated side of the interface.

They feature 1500 Vrms isolation between windings in a miniature surface mount package. All transformers have a plastic cover to aid automated placement.

In addition to the standard parts shown, Coilcraft can produce custom transformers with voltage, inductance and DCR values to meet your specific requirements. For more information, contact Coilcraft.

Part number	Pri/sec voltage	Inductance min (μ H)	Volt-time product typ ($V\mu$ sec)	DCR max (Ohms)	Isolation pri-sec (Vrms)	Turns ratio ¹	Schematic	Body size
T6437-D	5 V to 5 V	1000 (1-4)	134 (1-4)	1.010 (1-2, 3-4) 1.955 (8-5)	1500 (1,3-8)	1 CT:1		D
Q4470-C	5 V to 5 V	400 (1-3)	27 (1-3)	0.950 (1-3) 1.25 (6-4)	1500 (1-4)	1 CT:1.3 CT		C
S5394-C	5 V to 10 V	400 (1-3)	27 (1-3)	0.950 (1-3) 0.950 (6-4)	1500 (1-4)	1 CT:1		C
U6982-C	3.3 V to 5 V	59 (1-3)	22 (1-3)	0.700 (1-3) 1.800 (6-4)	1500 (1-4)	1 CT: 2.1 CT		C
S5499-D	5 V to 24 V	160 (1-4)	48 (1-4)	0.540 (1-2, 3-4) 4.28 (8-7, 6-5)	1500 (1,3-8,6)	1 CT:5 CT		D
T6650-D	5 V to 24 V	176 (2-3)	48 (2-3)	1.015 (2-3) 8.250 (7-6)	1500 (2-7)	1:5		D

1. CT indicates center tap.
2. Operating temperature range -40°C to $+85^{\circ}\text{C}$.
3. Electrical specifications at 25°C .

Coilcraft[®]

Specifications subject to change without notice.
Please check our website for latest information.

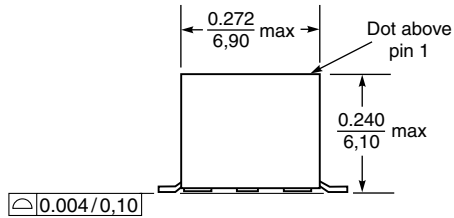
Document 193-1 Revised 11/13/02

1102 Silver Lake Road Cary, Illinois 60013 Phone 847/639-6400 Fax 847/639-1469

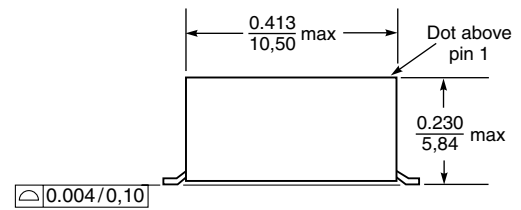
E-mail info@coilcraft.com Web <http://www.coilcraft.com>

Miniature SMT Transformers

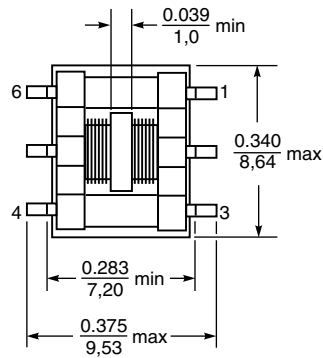
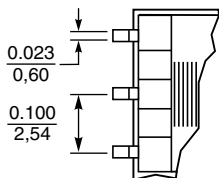
Size C



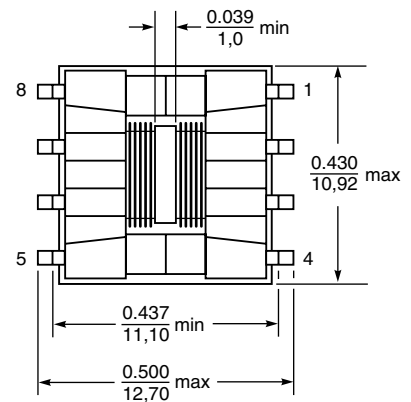
Size D



Terminal Dimensions

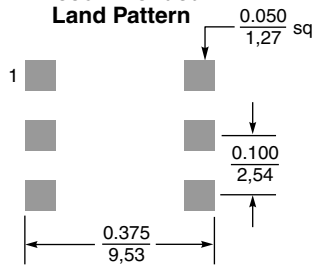


Bottom View

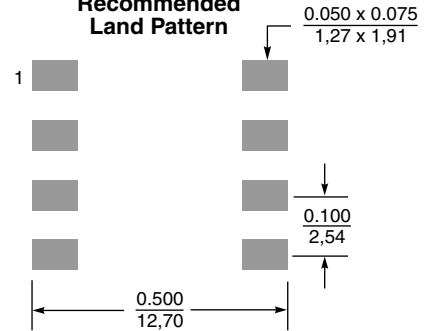


Bottom View

Recommended Land Pattern



Recommended Land Pattern



Tape and reel Size C: 1000/13" reel 16 mm tape width
 Size D: 500/13" reel 24 mm tape width
 For packaging data see Tape and Reel Specifications section.



Specifications subject to change without notice.
 Please check our website for latest information.

Document 193-2 Revised 02/02/06

1102 Silver Lake Road Cary, Illinois 60013 Phone 847/639-6400 Fax 847/639-1469

E-mail info@coilcraft.com Web http://www.coilcraft.com