



TRIMMER POTENTIOMETER

15-Turns Cermet Trimmer Potentiometer POT2103 Series

Precise adjustment, 19mm-long package, 0.75W power rating

■ FEATURES

1. Recommended for applications requiring side adjustment.
2. Rectangular parallelepiped, 15-turns space saving design (4.6X6.4X19.1mm).
3. Compatible with ultrasonic cleaning (See pages 43 to 44 for details).
4. Clutch mechanism prevents excessive wiper rotation.

■ APPLICATIONS

Measuring instruments, Facsimile machines, CPUs, PPCs, Printers, Sensors, Industrial machines

■ PART NUMBERING

(Please specify the part number when ordering.)

(Ex.)

POT	2103	P	-	1	-	103
-----	------	---	---	---	---	-----

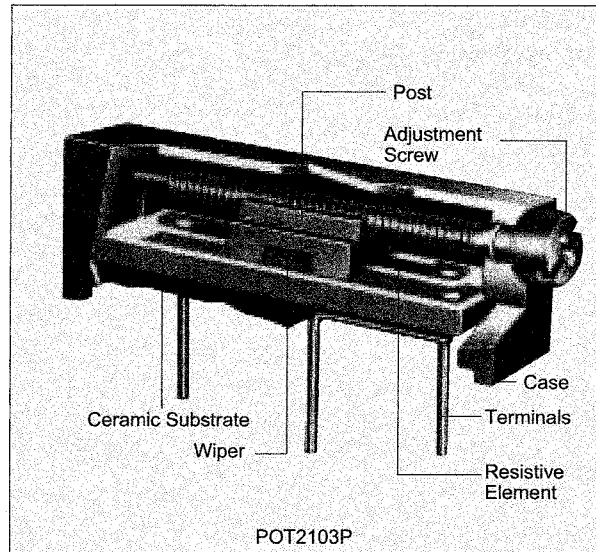
- ① Model
 ② Model number
 ③ Terminal style
 ④ Options 1: Standard 2: Panel mount type
 ⑤ Resistance code

■ RATINGS

Standard Total Resistance Range	10Ω to 2MΩ
Total Resistance Tolerance	±10% of standard total resistance value
Power Rating	70°C - 0.75W 125°C - 0W
Max. Working Voltage	300Vdc
Max. Wiper Current	100mA max.
Operating Temperature Range	-55°C to +125°C
Effective Number of Turns	15±3 turns.
Residual Resistance	2Ω max.
Contact Resistance Variation	3% or 3Ω max. Whichever is greater
Dielectric Strength	1000Vac
Insulation Resistance	1000MΩ min. (500Vdc)
Torque	14.7mNm (150gf·cm) max.

■ OTHERS

- See pages 43 to 44 for Notice
- See pages 46 to 47 for test methods
- Panel mount option available (See page 31 for details)



■ ENVIRONMENTAL CHARACTERISTICS

Temperature Coefficient of Resistance	±100ppm/°C
Temperature Cycle	ΔTR ±2% ΔV.S. S. ±1%
Humidity Exposure	ΔTR ±2% IR 100MΩ min.
Vibration (20G)	ΔTR ±1% ΔV.S. S. ±1%
Shock (50G)	ΔTR ±1% ΔV.S. S. ±1%
Load Life	ΔTR ±3% ΔV.S. S. ±1%
Low Temperature Exposure	ΔTR ±1% ΔV.S. S. ±1%
High Temperature Exposure	ΔTR ±2% ΔV.S. S. ±1%
Rotational Life (200 cycles)	No intermittence on resistance change

ΔTR : Total Resistance Change
 ΔV.S.S. : Voltage Setting Stability
 IR : Insulation Resistance

■ MINIMUM QUANTITY (order in sets only)

50 pcs./bag