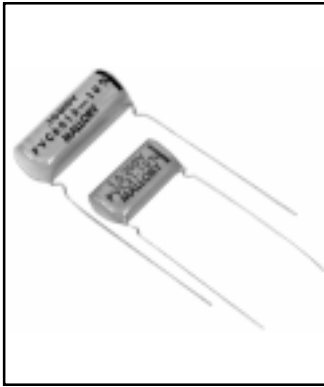


PVC Series - Polyester Film / Foil (to 1000V) Polypropylene Film / Foil (1200 - 2000V)



- Radial Leaded
- Wire Leads Crimped to Provide Seating on Printed Circuit Boards
- Non Inductively Wound
- Non-Polar
- 100 - 1000 VDC meets UL94V0
1200 - 2000 VDC meets UL94V2
- Adaptable to all electronic circuit applications calling for bypass and coupling
- Lead Material
Tinned Copper Clad Steel

GENERAL SPECIFICATIONS

Operating Temperature:
 100 - 1000 VDC:
 -55°C to +125°C *
 1200 - 2000 VDC:
 -55°C to 105°C*
 (*Provided the working voltage is reduced to 50% of the 85°C rating.)

Voltage Range:
 100 VDC to 2000 VDC

Capacitance Range:
 0.001 μ F to 1.0 μ F

Capacitance Tolerance (1kHz):
 \pm 10%

CECC Approval:
 Detail Specification 30401-009

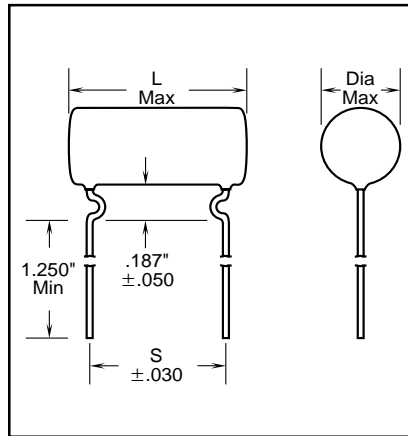
Dielectric Withstand Voltage:
 Capacitors <1000 volts can withstand a DC potential of 250% of rated voltage between terminals of not more than 5 seconds.
 However, \geq 1000 volts the DC potential is 200%

Dissipation Factor (DF):
 At +25°C ratings
 1200-2000 VDC are 0.1% Max
 All others are 0.75% Max

Insulation Resistance (IR)

After a two minute charge at rated voltage or 500 V whichever is less at 25°C	
100 - 1000 VDC	
For C \leq 0.25 μ F	100,000 M Ω
For C > 0.25 μ F	25,000 M Ω x μ F
1200 - 2000 VDC	
For C \leq 0.50 μ F	400,000 M Ω
For C > 0.50 μ F	200,000 M Ω x μ F

Outline Dimensions



Test Method and Performance

Lead Pull Test
Capacitor leads shall withstand a steady pull of 5lbs. applied radially to the capacitor body for 1 minute.
Lead Bend Test
Capacitor leads shall be bent without breakage below the lead crimp, first 90° in one direction, then back to the original position and then 90° in the opposite direction.
Life Test
Conducted at +85°C: 500 hours with 1.5 times rated voltage DC.

Catalog Number	Cap μ F	Inches				Millimeters			
		L Max	Dia Max	S Lead Spacing	ϕ d	L Max	Dia Max	S Lead Spacing	ϕ d
100VDC/70VAC									
PVC1118	.018	.700	.330	.500	.032	17.8	8.4	12.7	.8
PVC1122	.022	.700	.350	.500	.032	17.8	8.9	12.7	.8
PVC1127	.027	.700	.350	.500	.032	17.8	8.9	12.7	.8
PVC1133	.033	.700	.350	.500	.032	17.8	8.9	12.7	.8
PVC114	.040	.700	.350	.500	.032	17.8	8.9	12.7	.8
PVC1147	.047	.700	.350	.500	.032	17.8	8.9	12.7	.8
PVC1156	.056	.700	.380	.500	.032	17.8	9.7	12.7	.8
PVC1168	.068	.700	.380	.500	.032	17.8	9.7	12.7	.8
PVC1182	.082	.900	.400	.688	.032	22.9	10.2	17.5	.8
PVC101	.10	.900	.400	.688	.032	22.9	10.2	17.5	.8
PVC1015	.15	.900	.450	.688	.032	22.9	11.4	17.5	.8
PVC1022	.22	1.200	.450	.969	.032	30.5	11.4	24.6	.8
PVC1025	.25	1.200	.500	.969	.032	30.5	12.7	24.6	.8
PVC1033	.33	1.200	.500	.969	.032	30.5	12.7	24.6	.8
PVC1039	.39	1.600	.500	1.344	.032	40.6	12.7	34.1	.8
PVC1047	.47	1.600	.500	1.344	.032	40.6	12.7	34.1	.8
PVC105	.50	1.600	.600	1.344	.032	40.6	15.2	34.1	.8
PVC1056	.56	1.600	.600	1.344	.032	40.6	15.2	34.1	.8
PVC1068	.68	1.600	.600	1.344	.032	40.6	15.2	34.1	.8
PVC1082	.82	1.600	.650	1.344	.032	40.6	16.5	34.1	.8
PVC11	1.00	1.600	.700	1.344	.032	40.6	17.8	34.1	.8
200VDC/140VAC									
PVC211	.010	.700	.330	.500	.032	17.8	8.4	12.7	.8
PVC2115	.015	.700	.330	.500	.032	17.8	8.4	12.7	.8
PVC2118	.018	.700	.330	.500	.032	17.8	8.4	12.7	.8
PVC212	.020	.700	.330	.500	.032	17.8	8.4	12.7	.8
PVC2122	.022	.700	.330	.500	.032	17.8	8.4	12.7	.8

PVC Series - Polyester Film / Foil (to 1000V) Polypropylene Film / Foil (1200 - 2000V)



Film Capacitors

Catalog Number	Cap μ F	Inches				Millimeters			
		L Max	Dia Max	S Lead Spacing	\emptyset d	L Max	Dia Max	S Lead Spacing	\emptyset d
200VDC/140VAC									
PVC2133	.033	.900	.380	.688	.032	22.9	9.7	17.5	.8
PVC2139	.039	.900	.380	.688	.032	22.9	9.7	17.5	.8
PVC214	.040	.900	.380	.688	.032	22.9	9.7	17.5	.8
PVC2147	.047	.900	.380	.688	.032	22.9	9.7	17.5	.8
PVC215	.050	.900	.380	.688	.032	22.9	9.7	17.5	.8
PVC2156	.056	1.200	.380	.969	.032	30.5	9.7	24.6	.8
PVC2168	.068	1.200	.380	.969	.032	30.5	9.7	24.6	.8
PVC2182	.082	1.200	.400	.969	.032	30.5	10.2	24.6	.8
PVC201	.10	1.200	.400	.969	.032	30.5	10.2	24.6	.8
PVC2015	.15	1.200	.450	.969	.032	30.5	11.4	24.6	.8
PVC2022	.22	1.200	.500	.969	.032	30.5	12.7	24.6	.8
PVC2025	.25	1.200	.500	.969	.032	30.5	12.7	24.6	.8
PVC2027	.27	1.600	.470	1.344	.032	40.6	11.9	34.1	.8
PVC2033	.33	1.600	.470	1.344	.032	40.6	11.9	34.1	.8
PVC2047	.47	1.600	.560	1.344	.032	40.6	14.2	34.1	.8
PVC205	.50	1.600	.560	1.344	.032	40.6	14.2	34.1	.8
400VDC/200VAC									
PVC421	.0010	.700	.300	.500	.032	17.8	7.6	12.7	.8
PVC4222	.0022	.700	.300	.500	.032	17.8	7.6	12.7	.8
PVC4233	.0033	.700	.300	.500	.032	17.8	7.6	12.7	.8
PVC4247	.0047	.700	.300	.500	.032	17.8	7.6	12.7	.8
PVC4268	.0068	.700	.330	.500	.032	17.8	8.4	12.7	.8
PVC411	.010	.700	.350	.500	.032	17.8	8.9	12.7	.8
PVC412	.020	.900	.390	.688	.032	22.9	9.9	17.5	.8
PVC4133	.033	.900	.400	.688	.032	22.9	10.2	17.5	.8
PVC4147	.047	1.200	.400	.969	.032	30.5	10.2	24.6	.8
PVC415	.050	1.200	.450	.969	.032	30.5	11.4	24.6	.8
PVC4156	.056	1.200	.450	.969	.032	30.5	11.4	24.6	.8
PVC4168	.068	1.200	.450	.969	.032	30.5	11.4	24.6	.8
PVC4182	.082	1.200	.520	.969	.032	30.5	13.2	24.6	.8
PVC401	.10	1.200	.530	.969	.032	30.5	13.5	24.6	.8
PVC4015	.15	1.200	.570	.969	.032	30.5	14.5	24.6	.8
PVC4018	.18	1.600	.600	1.344	.032	40.6	15.2	34.1	.8
PVC4022	.22	1.600	.600	1.344	.032	40.6	15.2	34.1	.8
PVC4025	.25	1.600	.650	1.344	.032	40.6	16.5	34.1	.8
PVC4033	.33	1.600	.650	1.344	.032	40.6	16.5	34.1	.8
PVC4039	.39	1.600	.720	1.344	.032	40.6	18.3	34.1	.8
PVC4047	.47	1.600	.800	1.344	.032	40.6	20.3	34.1	.8
600VDC/200VAC									
PVC621	.0010	.700	.300	.500	.032	17.8	7.6	12.7	.8
PVC6212	.0012	.700	.330	.500	.032	17.8	8.4	12.7	.8
PVC6215	.0015	.700	.330	.500	.032	17.8	8.4	12.7	.8
PVC6218	.0018	.700	.330	.500	.032	17.8	8.4	12.7	.8
PVC622	.0020	.700	.330	.500	.032	17.8	8.4	12.7	.8
PVC6222	.0022	.700	.330	.500	.032	17.8	8.4	12.7	.8
PVC6225	.0025	.700	.340	.500	.032	17.8	8.6	12.7	.8
PVC6227	.0027	.700	.350	.500	.032	17.8	8.9	12.7	.8
PVC623	.0030	.700	.350	.500	.032	17.8	8.9	12.7	.8
PVC6233	.0033	.700	.350	.500	.032	17.8	8.9	12.7	.8
PVC6239	.0039	.700	.380	.500	.032	17.8	9.7	12.7	.8
PVC624	.0040	.700	.380	.500	.032	17.8	9.7	12.7	.8
PVC6247	.0047	.700	.380	.500	.032	17.8	9.7	12.7	.8
PVC625	.0050	.700	.380	.500	.032	17.8	9.7	12.7	.8
PVC6256	.0056	.700	.400	.500	.032	17.8	10.2	12.7	.8
PVC626	.006	.700	.400	.500	.032	17.8	10.2	12.7	.8
PVC6268	.0068	.700	.400	.500	.032	17.8	10.2	12.7	.8
PVC6275	.0075	.700	.400	.500	.032	17.8	10.2	12.7	.8
PVC628	.0080	.900	.400	.688	.032	22.9	10.2	17.5	.8
PVC6282	.0082	.900	.400	.688	.032	22.9	10.2	17.5	.8
PVC611	.010	.900	.400	.688	.032	22.9	10.2	17.5	.8
PVC6112	.012	.900	.400	.688	.032	22.9	10.2	17.5	.8
PVC6115	.015	.900	.400	.688	.032	22.9	10.2	17.5	.8
PVC6118	.018	.900	.450	.688	.032	22.9	11.4	17.5	.8
PVC612	.020	.900	.450	.688	.032	22.9	11.4	17.5	.8
PVC6122	.022	.900	.450	.688	.032	22.9	11.4	17.5	.8
PVC6125	.025	.900	.450	.688	.032	22.9	11.4	17.5	.8

PVC Series - Polyester Film / Foil (to 1000V) Polypropylene Film / Foil (1200 - 2000V)



Film Capacitors

Catalog Number	Cap μ F	Inches				Millimeters			
		L Max	Dia Max	S Lead Spacing	\varnothing d	L Max	Dia Max	S Lead Spacing	\varnothing d
600VDC/200VAC									
PVC6127	.027	1.200	.450	.969	.032	30.5	11.4	24.6	.8
PVC613	.030	1.200	.450	.969	.032	30.5	11.4	24.6	.8
PVC6133	.033	1.200	.450	.969	.032	30.5	11.4	24.6	.8
PVC6139	.039	1.200	.560	.969	.032	30.5	14.2	24.6	.8
PVC614	.040	1.200	.560	.969	.032	30.5	14.2	24.6	.8
PVC6147	.047	1.200	.560	.969	.032	30.5	14.2	24.6	.8
PVC615	.050	1.200	.560	.969	.032	30.5	14.2	24.6	.8
PVC6156	.056	1.200	.600	.969	.032	30.5	15.2	24.6	.8
PVC6168	.068	1.200	.600	.969	.032	30.5	15.2	24.6	.8
PVC6182	.082	1.200	.650	.969	.032	30.5	16.5	24.6	.8
PVC601	.10	1.200	.650	.969	.032	30.5	16.5	24.6	.8
PVC6012	.12	1.600	.700	1.344	.032	40.6	17.8	34.1	.8
PVC6015	.15	1.600	.700	1.344	.032	40.6	17.8	34.1	.8
PVC6018	.18	1.600	.800	1.344	.032	40.6	20.3	34.1	.8
PVC602	.20	1.600	.800	1.344	.032	40.6	20.3	34.1	.8
PVC6022	.22	1.600	.800	1.344	.032	40.6	20.3	34.1	.8
PVC6025	.25	1.600	.800	1.344	.032	40.6	20.3	34.1	.8
PVC6033	.33	1.810	.890	1.531	.032	46.0	22.6	38.9	.8
1000VDC/200VAC									
PVC1021	.0010	.700	.330	.500	.032	17.8	8.4	12.7	.8
PVC10215	.0015	.700	.330	.500	.032	17.8	8.4	12.7	.8
PVC10218	.0018	.700	.350	.500	.032	17.8	8.9	12.7	.8
PVC10222	.0022	.700	.350	.500	.032	17.8	8.9	12.7	.8
PVC10233	.0033	.900	.350	.688	.032	22.9	8.9	17.5	.8
PVC10247	.0047	.900	.400	.688	.032	22.9	10.2	17.5	.8
PVC10256	.0056	.900	.430	.688	.032	22.9	10.9	17.5	.8
PVC10268	.0068	.900	.430	.688	.032	22.9	10.9	17.5	.8
PVC10282	.0082	.900	.480	.688	.032	22.9	12.2	17.5	.8
PVC1011	.010	.900	.480	.688	.032	22.9	12.2	17.5	.8
PVC10115	.015	1.200	.480	.969	.032	30.5	12.2	24.6	.8
PVC10118	.018	1.200	.580	.969	.032	30.5	14.7	24.6	.8
PVC10122	.022	1.200	.580	.969	.032	30.5	14.7	24.6	.8
PVC10127	.027	1.200	.650	.969	.032	30.5	16.5	24.6	.8
PVC10133	.033	1.200	.650	.969	.032	30.5	16.5	24.6	.8
PVC10139	.039	1.600	.650	1.344	.032	40.6	16.5	34.1	.8
PVC10147	.047	1.600	.650	1.344	.032	40.6	16.5	34.1	.8
PVC10156	.056	1.600	.750	1.344	.032	40.6	19.1	34.1	.8
PVC10168	.068	1.600	.750	1.344	.032	40.6	19.1	34.1	.8
PVC10182	.082	1.600	.850	1.344	.032	40.6	21.6	34.1	.8
PVC10010	.10	1.600	.850	1.344	.032	40.6	21.6	34.1	.8
1200VDC/475VAC									
PVC1221	.0010	1.250	.420	.969	.032	31.8	10.7	24.6	.8
PVC12212	.0012	1.250	.420	.969	.032	31.8	10.7	24.6	.8
PVC12215	.0015	1.250	.420	.969	.032	31.8	10.7	24.6	.8
PVC12218	.0018	1.250	.420	.969	.032	31.8	10.7	24.6	.8
PVC12222	.0022	1.250	.420	.969	.032	31.8	10.7	24.6	.8
PVC12227	.0027	1.250	.420	.969	.032	31.8	10.7	24.6	.8
PVC12233	.0033	1.250	.420	.969	.032	31.8	10.7	24.6	.8
PVC12239	.0039	1.250	.420	.969	.032	31.8	10.7	24.6	.8
PVC12247	.0047	1.250	.420	.969	.032	31.8	10.7	24.6	.8
PVC12256	.0056	1.250	.440	.969	.032	31.8	11.2	24.6	.8
PVC12268	.0068	1.250	.470	.969	.032	31.8	11.9	24.6	.8
PVC12282	.0082	1.250	.500	.969	.032	31.8	12.7	24.6	.8
PVC1211	.010	1.250	.530	.969	.032	31.8	13.5	24.6	.8
PVC12112	.012	1.250	.570	.969	.032	31.8	14.5	24.6	.8
PVC12115	.015	1.250	.610	.969	.032	31.8	15.5	24.6	.8
PVC12118	.018	1.650	.560	1.344	.032	41.9	14.2	34.1	.8
PVC12122	.022	1.650	.600	1.344	.032	41.9	15.2	34.1	.8
PVC12127	.027	1.650	.650	1.344	.032	41.9	16.5	34.1	.8
PVC12133	.033	1.650	.700	1.344	.032	41.9	17.8	34.1	.8
PVC12139	.039	1.650	.740	1.344	.032	41.9	18.8	34.1	.8
PVC12147	.047	1.650	.800	1.344	.032	41.9	20.3	34.1	.8

PVC Series - Polyester Film / Foil (to 1000V) Polypropylene Film / Foil (1200 - 2000V)



Film Capacitors

Catalog Number	Cap μ F	Inches				Millimeters			
		L Max	Dia Max	S Lead Spacing	\varnothing d	L Max	Dia Max	S Lead Spacing	\varnothing d
1600VDC/475VAC									
PVC1621	.0010	1.250	.420	.969	.032	31.8	10.7	24.6	.8
PVC16215	.0015	1.250	.420	.969	.032	31.8	10.7	24.6	.8
PVC16222	.0022	1.250	.420	.969	.032	31.8	10.7	24.6	.8
PVC16227	.0027	1.250	.420	.969	.032	31.8	10.7	24.6	.8
PVC1623	.0030	1.250	.420	.969	.032	31.8	10.7	24.6	.8
PVC16233	.0033	1.250	.420	.969	.032	31.8	10.7	24.6	.8
PVC1624	.0040	1.250	.420	.969	.032	31.8	10.7	24.6	.8
PVC16247	.0047	1.250	.420	.969	.032	31.8	10.7	24.6	.8
PVC1625	.0050	1.250	.420	.969	.032	31.8	10.7	24.6	.8
PVC1626	.0060	1.250	.440	.969	.032	31.8	11.2	24.6	.8
PVC16268	.0068	1.250	.470	.969	.032	31.8	11.9	24.6	.8
PVC1627	.0070	1.250	.500	.969	.032	31.8	12.7	24.6	.8
PVC16275	.0075	1.250	.500	.969	.032	31.8	12.7	24.6	.8
PVC1628	.0080	1.250	.500	.969	.032	31.8	12.7	24.6	.8
PVC16282	.0082	1.250	.500	.969	.032	31.8	12.7	24.6	.8
PVC1611	.010	1.250	.530	.969	.032	31.8	13.5	24.6	.8
PVC16115	.015	1.250	.610	1.344	.032	33.8	15.5	34.1	.8
PVC1612	.020	1.650	.600	1.344	.032	41.9	15.2	34.1	.8
PVC16122	.022	1.650	.600	1.344	.032	41.9	15.2	34.1	.8
PVC16133	.033	1.650	.700	1.344	.032	41.9	17.8	34.1	.8
PVC16147	.047	1.650	.800	1.344	.032	41.9	20.3	34.1	.8
PVC1615	.050	1.650	.850	1.344	.032	41.9	21.6	34.1	.8
2000VDC/500VAC									
PVC2X21	.0010	1.250	.330	.969	.032	31.8	8.4	24.6	.8
PVC2X212	.0012	1.250	.340	.969	.032	31.8	8.6	24.6	.8
PVC2X215	.0015	1.250	.360	.969	.032	31.8	9.1	24.6	.8
PVC2X218	.0018	1.250	.380	.969	.032	31.8	9.7	24.6	.8
PVC2X222	.0022	1.250	.390	.969	.032	31.8	9.9	24.6	.8
PVC2X227	.0027	1.250	.420	.969	.032	31.8	10.7	24.6	.8
PVC2X233	.0033	1.250	.440	.969	.032	31.8	11.2	24.6	.8
PVC2X239	.0039	1.250	.470	.969	.032	31.8	11.9	24.6	.8
PVC2X247	.0047	1.250	.500	.969	.032	31.8	12.7	24.6	.8
PVC2X256	.0056	1.250	.530	.969	.032	31.8	13.5	24.6	.8
PVC2X268	.0068	1.250	.560	.969	.032	31.8	14.2	24.6	.8
PVC2X282	.0082	1.250	.600	.969	.032	31.8	15.2	24.6	.8
PVC2X11	.010	1.250	.650	.969	.032	31.8	16.5	24.6	.8
PVC2X112	.012	1.650	.580	1.344	.032	41.9	14.7	34.1	.8
PVC2X115	.015	1.650	.630	1.344	.032	41.9	16.0	34.1	.8
PVC2X118	.018	1.650	.670	1.344	.032	41.9	17.0	34.1	.8
PVC2X122	.022	1.650	.730	1.344	.032	41.9	18.5	34.1	.8
PVC2X127	.027	1.650	.780	1.344	.032	41.9	19.8	34.1	.8
PVC2X133	.033	1.650	.850	1.344	.032	41.9	21.6	34.1	.8