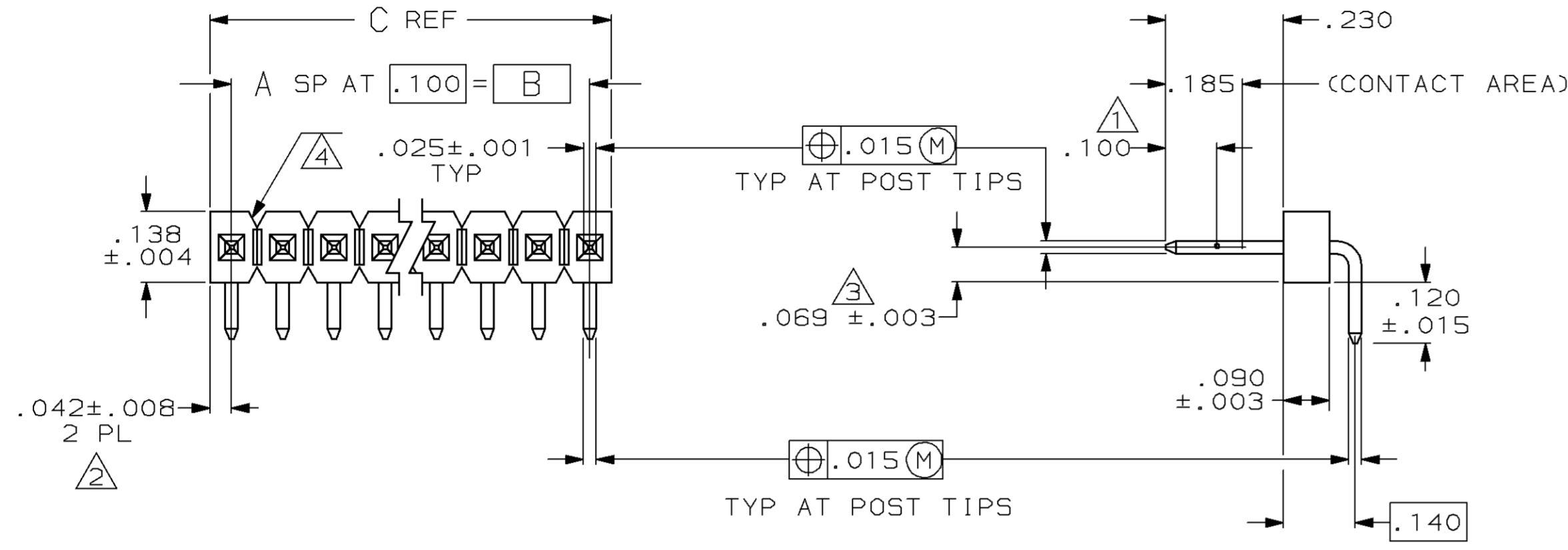
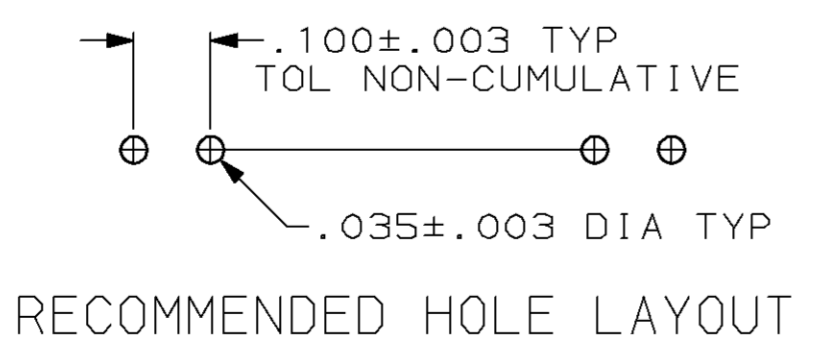


DRAWING MADE IN THIRD ANGLE PROJECTION
 THIS DRAWING IS UNPUBLISHED. RELEASED FOR PUBLICATION
 © COPYRIGHT 19 BY AMP INCORPORATED, HARRISBURG, PA. ALL INTERNATIONAL RIGHTS RESERVED. AMP PRODUCTS MAY BE COVERED BY U.S. AND FOREIGN PATENTS AND/OR PATENTS PENDING.

LOC AD		DIST 39		REVISONS		
P	F	ZONE	LTR	DESCRIPTION	DATE	APPD
		B		REV&REDRAWN ECN 1704	-	-
		C		REV LOC & DIST AD-4171	3-90	BF
		D		REV PER ECN 0010-0187-92	11/23/92	JK
		E		REV PER 0010-1752-93 TT	12-08-93	GD
		F		EC 0010-1601-95	2/20/97	GD



- ASSEMBLY MAY BE BROKEN TO THE DESIRED NUMBER OF POSITIONS.
- THE NOTED DIMENSIONS APPLY AT THE INTERSECTION OF THE POST AND HOUSING
- POINT OF MEASUREMENT FOR PLATING THICKNESS
- BREAKAWAY NOTCH ANGLE CAN BE ORIENTED TO THE RIGHT (AS SHOWN) OR TO THE LEFT



3.984	3.900	39	40	4-103148-0
3.884	3.800	38	39	3-103148-9
3.784	3.700	37	38	3-103148-8
3.684	3.600	36	37	3-103148-7
3.584	3.500	35	36	3-103148-6
3.484	3.400	34	35	3-103148-5
3.384	3.300	33	34	3-103148-4
3.284	3.200	32	33	3-103148-3
3.184	3.100	31	32	3-103148-2
3.084	3.000	30	31	3-103148-1
2.984	2.900	29	30	3-103148-0
2.884	2.800	28	29	2-103148-9
2.784	2.700	27	28	2-103148-8
2.684	2.600	26	27	2-103148-7
2.584	2.500	25	26	2-103148-6
2.484	2.400	24	25	2-103148-5
2.384	2.300	23	24	2-103148-4
2.284	2.200	22	23	2-103148-3
2.184	2.100	21	22	2-103148-2
2.084	2.000	20	21	2-103148-1
1.984	1.900	19	20	2-103148-0
1.884	1.800	18	19	1-103148-9
1.784	1.700	17	18	1-103148-8
1.684	1.600	16	17	1-103148-7
1.584	1.500	15	16	1-103148-6
1.484	1.400	14	15	1-103148-5
1.384	1.300	13	14	1-103148-4
1.284	1.200	12	13	1-103148-3
1.184	1.100	11	12	1-103148-2
1.084	1.000	10	11	1-103148-1
.984	.900	9	10	1-103148-0
.884	.800	8	9	103148-9
.784	.700	7	8	103148-8
.684	.600	6	7	103148-7
.584	.500	5	6	103148-6
.484	.400	4	5	103148-5
.384	.300	3	4	103148-4
.284	.200	2	3	103148-3
.184	.100	1	2	103148-2
.084	—	—	1	103148-1
C	B	A	NO OF POSN	PART NUMBER

UNLESS OTHERWISE SPECIFIED DIMENSIONS ARE IN INCHES TOLERANCES ON :	DR 10-23-87 H MOLL	AMP INCORPORATED Harrisburg, Pa. 17105
2 PL DEC ± .005	CHK 10-23-87 T. CLARK	
3 PL DEC ± .005	APPD 10-29-87 T. CLARK	
MATERIAL: HOUSING: FLAME RETARDANT THERMOPLASTIC, COLOR-BLACK	APPD 10-23-87 R. ELICKER	NAME HEADER ASSY, MOD II, BREAKAWAY, SINGLE ROW, .100¢, RIGHT ANGLE, WITH .025 SQ POSTS
POSTS: PHOS BRONZE	PRODUCT SPEC	SIZE D
FINISH: POSTS .000030 GOLD ON CONTACT AREA, .000100-.000200 MATTE TIN-LEAD ON SOLDER TAIL, ALL OVER .000050 NICKEL	APPLICATION SPEC	FSCM NO 00779
	WEIGHT	DRAWING NO 103148
		SCALE 4:1
		SHEET 1 OF 1