

# 500 Series *Numerical Display Sockets*



518-AG7D



516-AG21D



508-AG8D

## FEATURES:

Thomas & Betts offers a wide range of LED and ganged unit sockets to allow for total flexibility and size variations while incorporating the design features of our standard 500 Series sockets.

- Two-piece tapered entry socket terminal — four-fingered, gold plated inner contact and machined tin/lead plated outer sleeve.
- Available in either solderless wrap or printed circuit termination.
- Horizontal or right angle mounting.

## MATERIAL SPECIFICATIONS (Figures 1, 2, 3):

Inner Contact ..... Four-fingered beryllium copper, gold  
 Outer Sleeve ..... Machined brass, tin/lead plated  
 Insulator ..... Thermoplastic polyester UL rated 94V-0

## MATERIAL SPECIFICATIONS (Figure 4):

Inner Contact ..... Four-fingered beryllium copper, gold  
 Outer Sleeve ..... Brass, tin/lead plated  
 Board ..... Glass epoxy, tin-plated copper circuitry  
 Terminal ..... Phosphor bronze, solder-coated  
 Spacer ..... Delrin

## PERFORMANCE SPECIFICATIONS:

### MECHANICAL

Vibration ..... Passed MIL-STD-1344, Method 2005.1, Condition II, 10 G's  
 Shock ..... Passed MIL-STD-1344, Method 2004.1, Condition C, 100 G's  
 Durability ..... Passed MIL-STD-1344, Method 2016  
 Normal Force ..... 200 Grams (7.0 oz.) average with .018" (0,46) dia. polished steel pin  
 Insertion Force ..... 179 Grams (6.3 oz.) average with .018 (0,46)" dia. polished steel pin  
 Withdrawal Force ..... 63 Grams (2.2 oz.) average with .018" (0,46) dia. polished steel pin  
 Solderability ..... Passed MIL-STD-202F, Method 208  
 Sleeve Retention  
   in Plastic ..... 3.5 Lbs. per line minimum solderless wrap;  
   3.0 Lbs. PC tail  
 Inner Contact  
   Retention ..... 7.5 Lbs. per line average

### ELECTRICAL

Contact Resistance ..... 10 Milliohms  
 Contact Rating ..... 3 Amps  
 Capacitance ..... 1.0 pF per MIL-STD-202, Method 305 (contact to contact)  
 Insulation Resistance .... 5,000 Megohms min. @ 500 VDC per MIL-STD-1344, Method 3003.1  
 Dielectric Withstanding  
   Voltage ..... 1,000 Volts RMS per MIL-STD-1344, Method 3001.1

### ENVIRONMENTAL

Humidity ..... Passed MIL-STD-1344, Method 1002.2, Cond. II  
 Thermal Shock ..... Passed MIL-STD-1344, Method 1003.1, Cond. A  
 Operation Temperature .. Gold inner contact -55°C to +125°C  
   Tin/lead inner contact -55°C to +105°C

# Thomas & Betts

Quality & Innovation From **AUGAT**® Name Brand Products

G2

Thomas & Betts  
 1555 Lynnfield Road  
 Memphis, TN 38119  
 (901) 682-8221 FAX (901) 537-8805

# Angle Mount DIP Sockets 500 Series

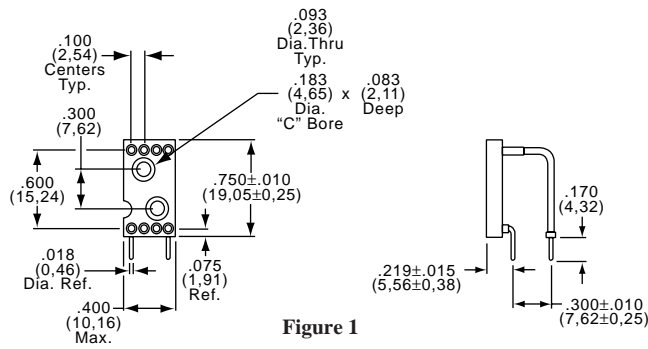


Figure 1

## PART NUMBERS / STANDARD CONFIGURATIONS

Part Number	Figure	Number of Contacts	Description
508-AG8D	1	8	Right angle mtg., printed circuit
508-AG4A	2	8	Horizontal mtg., solder pocket
508-AG4F	2	8	Horizontal mtg., 3 level solderless wrap

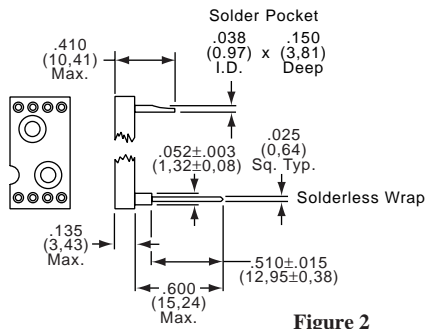


Figure 2

## PART NUMBER / STANDARD CONFIGURATIONS

Part Number	Number of Contacts	A Max.	B	Description
508-AG7D	8	.400 (10,16)	One Hole Only	Right angle mtg., printed circuit
514-AG7D	14	.700 (17,78)	.400 (10,16)	
516-AG7D	16	.800 (20,32)	.500 (12,70)	
518-AG7D	18	.900 (22,86)	.600 (15,24)	
520-AG7D	20	1.000 (25,40)	.500 (12,70)	

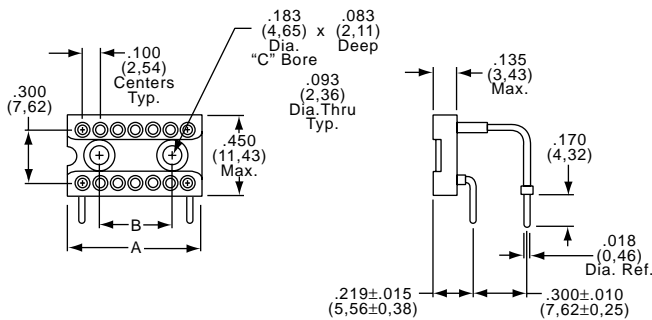


Figure 3

Horizontal Right Angle

## PART NUMBER / STANDARD CONFIGURATIONS

Part Number	Number of Contacts	"A" Max.	"B" Max.	"C" Max.
514-AG21D	14	1.100 (27,49)	.900 (22,86)	.700 (17,78)
516-AG21D	16	1.220 (30,99)	1.010 (25,65)	.800 (20,32)

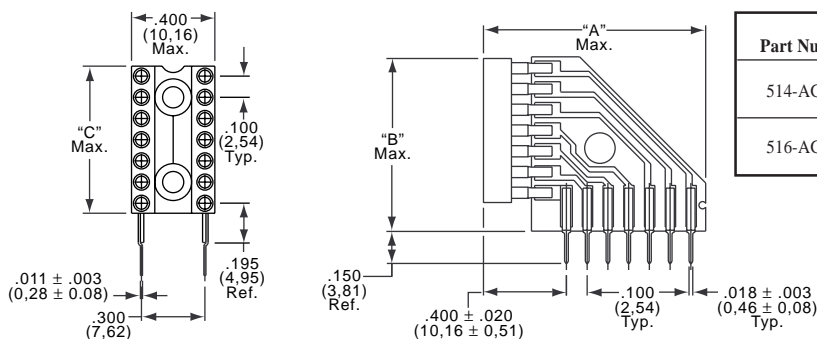


Figure 4

Vertical Right Angle

Need more technical information?

Consult your Thomas & Betts sales office listed on the back cover