

SMT Power Inductors

Special Features

- High current capacity
- Ferrite bobbin core
- Low core loss for high frequency power applications
- Low profile
- Compact size
- Large terminal surface for good PCB bonding
- Operating temperature -40 to +100 °C
- Tape & reel packaged 1500/reel

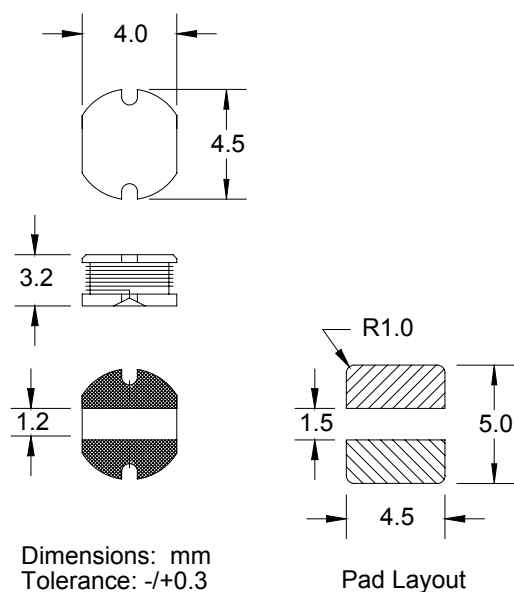
Notes

- * Current to cause max. 10 % of inductance drop or 40 °C temperature rise

PM43 Series						
Part Number	L (μH) ±20 %	Test Freq. (MHz)	SRF (MHz) Typ.	DCR Ω Max.	I, DC* (A)	Bourns Equivalent
PM43-1R0M-RC	1.0	7.96	113	0.049	2.56	
PM43-1R4M-RC	1.4	7.96	101	0.057	2.52	
PM43-1R8M-RC	1.8	7.96	92	0.064	1.95	
PM43-2R2M-RC	2.2	7.96	76	0.072	1.75	
PM43-2R7M-RC	2.7	7.96	66	0.079	1.58	
PM43-3R3M-RC	3.3	7.96	63	0.087	1.44	
PM43-3R9M-RC	3.9	7.96	53	0.094	1.33	
PM43-4R7M-RC	4.7	7.96	49	0.109	1.15	
PM43-5R6M-RC	5.6	7.96	43	0.126	0.99	
PM43-6R8M-RC	6.8	7.96	41	0.132	0.95	
PM43-8R2M-RC	8.2	7.96	35	0.147	0.84	
PM43-100M-RC	10	2.52	35	0.182	1.04	SDR0403
PM43-120M-RC	12	2.52	32	0.210	0.97	
PM43-150M-RC	15	2.52	29	0.235	0.85	
PM43-180M-RC	18	2.52	27	0.338	0.74	
PM43-220M-RC	22	2.52	24	0.378	0.68	
PM43-270M-RC	27	2.52	21	0.522	0.62	
±10 %						
PM43-330K-RC	33	2.52	19	0.540	0.56	
PM43-390K-RC	39	2.52	18	0.587	0.52	
PM43-470K-RC	47	2.52	15	0.844	0.44	
PM43-560K-RC	56	2.52	14	0.937	0.42	
PM43-680K-RC	68	2.52	13	1.117	0.37	

Available only as RoHS compliant beginning July 2007.

When ordering non-RoHS compliant versions before July 2007, do not include the -RC suffix in the part number.



BOURNS®

Tel. (877) 426-8767 • Fax (951) 781-5006

www.bourns.com