

**SERIES 39**  
SPST, 150 mA

**FEATURES**

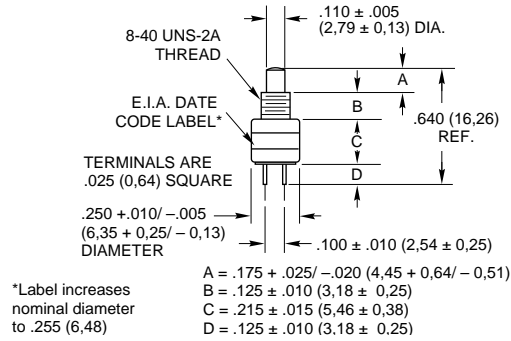
- 1/4" Diameter
- Up to 1,000,000 Cycles of Operation
- PC Mount



**DIMENSIONS** In Inches (and millimeters)

**SPST–Normally Open, Without Nut**

39-405\*

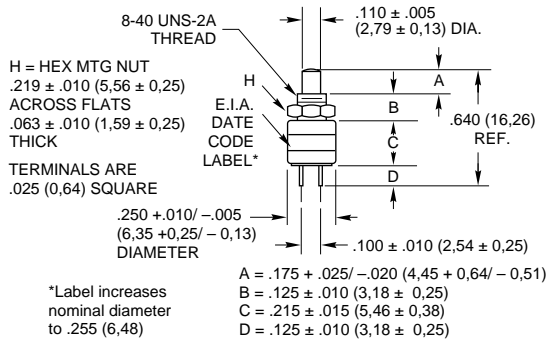


Rating at 28 Vdc Resistive	Operations at Rated Load	*Complete Part Number	Button Color
150 mA	1,000,000	39-405 RED 39-405 BLK	Red Black

Action	Total Travel	Actuating Force (oz.)
Momentary	.035 ± .015 (0,89 ± 0,38)	4 -2

**SPST–Normally Open, With Nut**

39-401\*

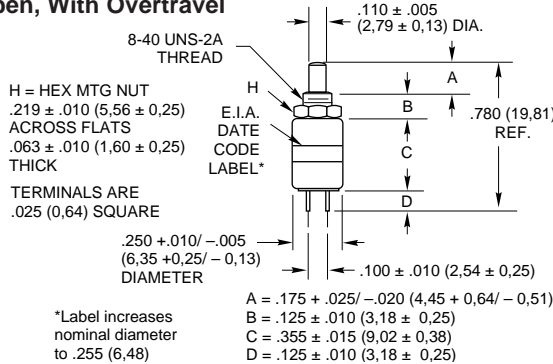


Rating at 28 Vdc Resistive	Operations at Rated Load	*Complete Part Number	Button Color
150 mA	1,000,000	39-401 RED 39-401 BLK	Red Black

Action	Total Travel	Actuating Force (oz.)
Momentary	.035 ± .015 (0,89 ± 0,38)	4 -2

**SPST–Normally Open, With Overtravel**

39-424\*



Rating at 28 Vdc Resistive	Operations at Rated Load	*Complete Part Number	Button Color
150 mA	100,000	39-424 RED 39-424 BLK	Red Black

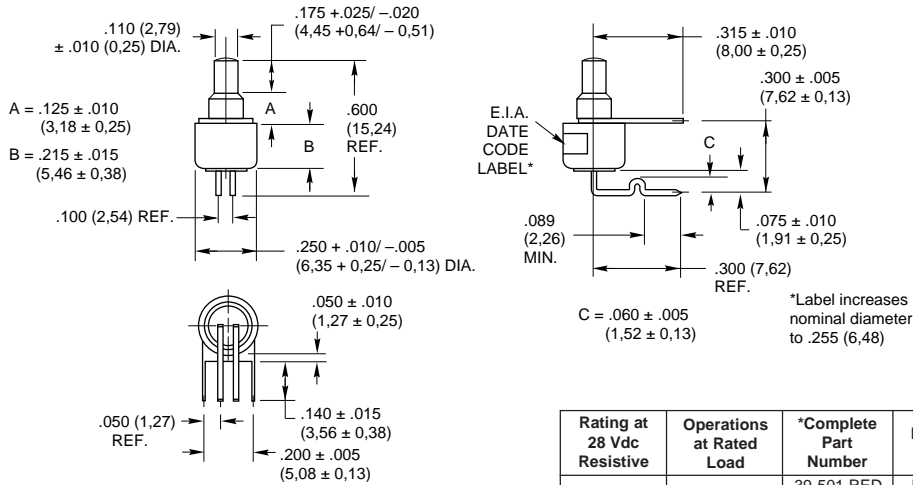
Action	Total Travel	Over Travel	Actuating Force (oz.)
Momentary	.130 ± .025 (3,30 ± 0,64)	.015 (0,38) Min.	5 ± 3

Pushbutton Switches

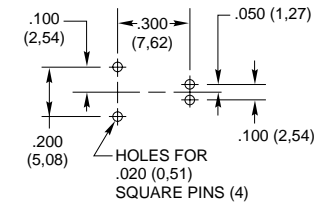
## DIMENSIONS In Inches (and millimeters)

### Right Angle, SPST-Normally Open

39-501\*  
39-503\*



### Mounting Footprint



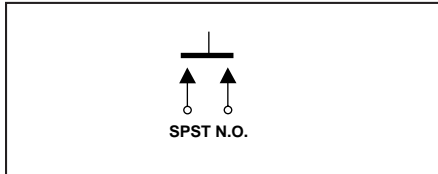
Rating at 28 Vdc Resistive	Operations at Rated Load	*Complete Part Number	Button Color
150 mA	1,000,000	39-501 RED 39-501 BLK 39-503 RED 39-503 BLK	Red Black Red Black

Action	Total Travel	Actuating Force (oz.)
Momentary	.035 ± .015 (0,89 ± 0,38)	4 + 4 - 2

Protective cap (included with 39-503 RED and 39-503 BLK) seals switch during wave soldering.

Pushbutton Switches

## CIRCUITRY



## ACCESSORIES



## SPECIFICATIONS

### Rating Criteria

**Contact Resistance:** 25 milliohms maximum on a new switch

**Voltage Breakdown:** 1,000 Vac between mutually insulated parts

**Insulation Resistance:** 1,000 megohms minimum

**Operating Temperature:** -40°C to +85°C

### Materials and Finishes

**Bushing/Housing:** Brass, cadmium-plated.  
**Standoff:** (39-501 and 39-503) Brass, cadmium-plated

**Base and Button:** Thermoplastic  
**Shorting Bar:** Brass, gold-plated over nickel plate for 39-501 and 39-503; fine silver, gold-plated for others

**Terminals:** Brass, gold-plated over nickel

**Spring:** Tinned music wire

**Mounting Nut:** (39-402 and 39-424) Brass, cadmium-plated

## ORDERING INFORMATION

Part No.	Type & Button Color
39-401 RED	N.O., Red
39-401 BLK	N.O., Black
39-405 RED	N.O., No Nut, Red
39-405 BLK	N.O., No Nut, Black
39-424 RED	N.O., Overtravel, Red
39-424 BLK	N.O., Overtravel, Black
39-501 RED	N.O., Right Angle, Red
39-501 BLK	N.O., Right Angle, Black
39-503 RED	39-501 Red & Cap Seal
39-503 BLK	39-501 Blk & Cap Seal

Accessory Part Number	Description
30B1012-5	Red Accessory Cap
30B1012-8	White Accessory Cap
30B1012-9	Black Accessory Cap
SHH1699	Cap Seal Only, Black

Accessory cap may be used with part numbers 39-405, 39-401, 39-424, 39-501, 39-503.

**Available from your local Grayhill Distributor.** For prices and discounts, contact a local Sales Office, an authorized local Distributor or Grayhill.