

Square Grid Connectors

Free-Hanging and Panel Mount Connectors

Material:

Red thermoplastic, 94V-0 rated

Related Product Data:

Mateable Connectors:

PC Board Headers—page 9281

Contacts—pages 9150-9154, 9116-9117

Keying Plug—page 9289

Strain Relief Kits—See below

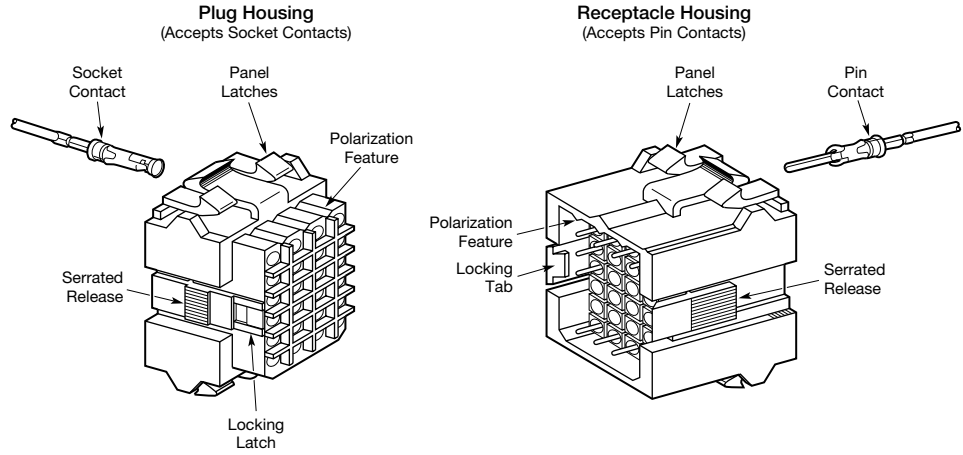
Dimensional Specifications — pages 9279-9280

Performance Characteristics— page 9265

Technical Documents:

Product Specification
108-10033

Application Specification
114-10040



No. of Positions	Housing Part Numbers*	
	Plug	Receptacle
4	207015-1	207016-1
6	207152-1	207153-1
9	207439-1	207440-1
12	207017-1	207018-1
18	207442-1	207443-1
24	207304-1	207305-1
36	207019-1	207020-1

*Housing only, order contacts separately.

Strain Relief Kits

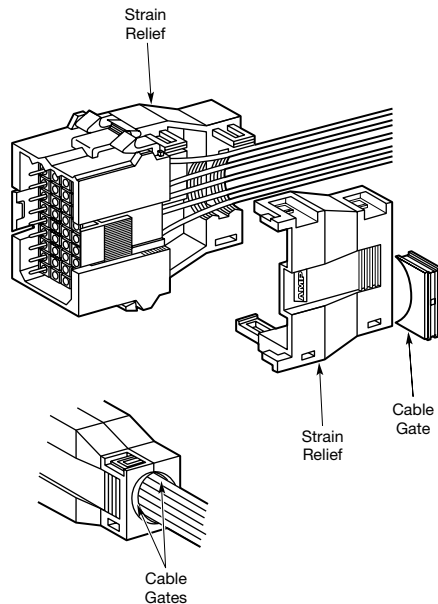
(For use with plugs and/or receptacles)

Material:

Red thermoplastic, 94V-0 rated

Related Product Data:

Dimensional Specifications— page 9280



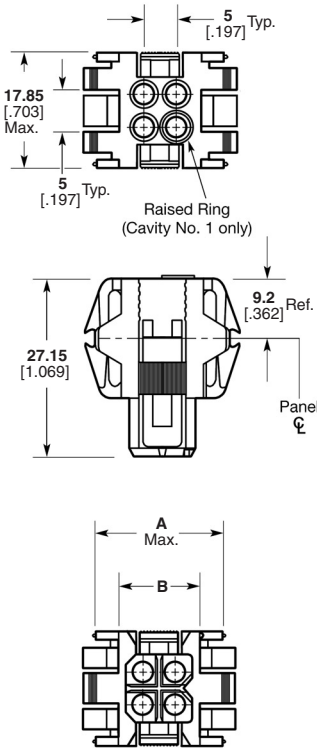
No. of Positions (Connector)	Cable O.D. (Max.)	Strain Relief Kit Part Numbers	
		Individual Packs	Bulk Packaging
6	9.5 .375	207600-1	213792-1
9	11.7 .460	207601-1	213793-1
12	13.45 .530	207602-1	213794-1
18	16.5 .650	207603-1	213795-1
24	19.05 .750	207088-1	213796-1
36	23.3 .918	207604-1	213797-1

Notes: ¹ Cable gates are supplied with each strain relief kit to accommodate various cable diameters up to the maximum specified.
² Components for all strain relief kits are packaged unassembled.

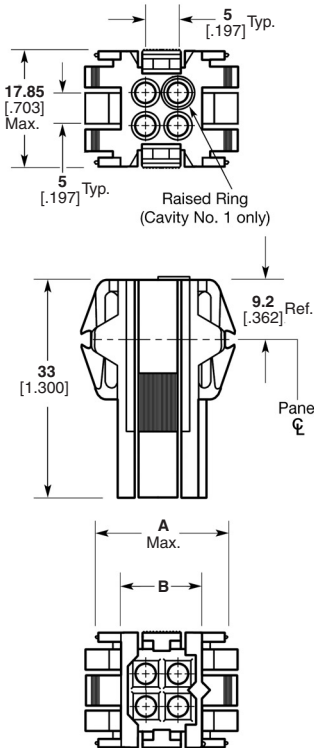
Square Grid Connector Specifications

4 and 6 Position Housings

Plug (for Sockets)

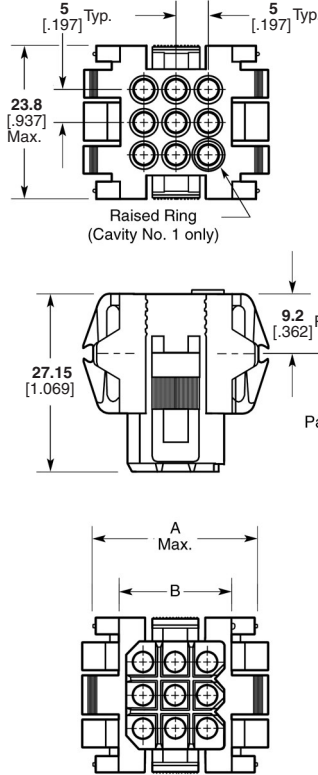


Receptacle (for Pins)

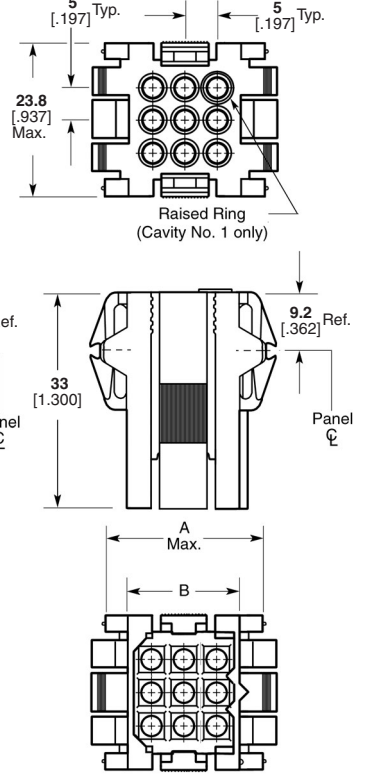


9, 12 and 18 Position Housings

Plug (for Sockets)



Receptacle (for Pins)



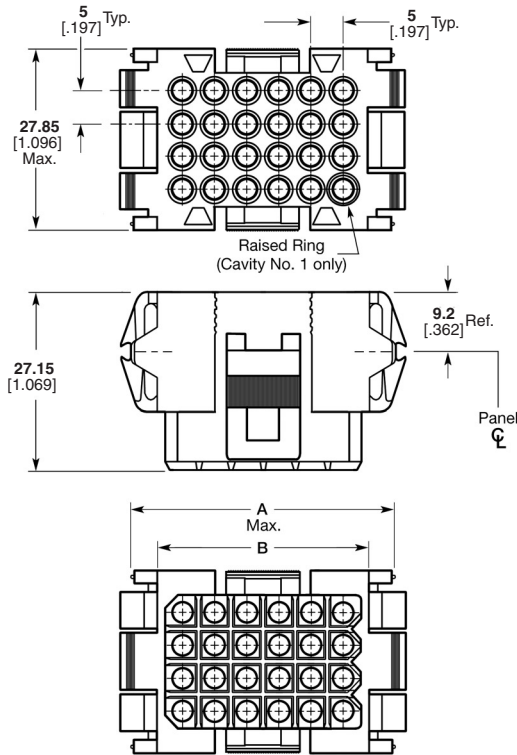
Pin and Socket Connectors

No. of Positions	Connector Dimensions	
	A	B
4	20.1 .791	12.6 .496
6	25.04 .986	17.5 .689
9	24.8 .976	17.5 .689
12	29.8 1.173	22.5 .886
18	40.45 1.592	32.85 1.293

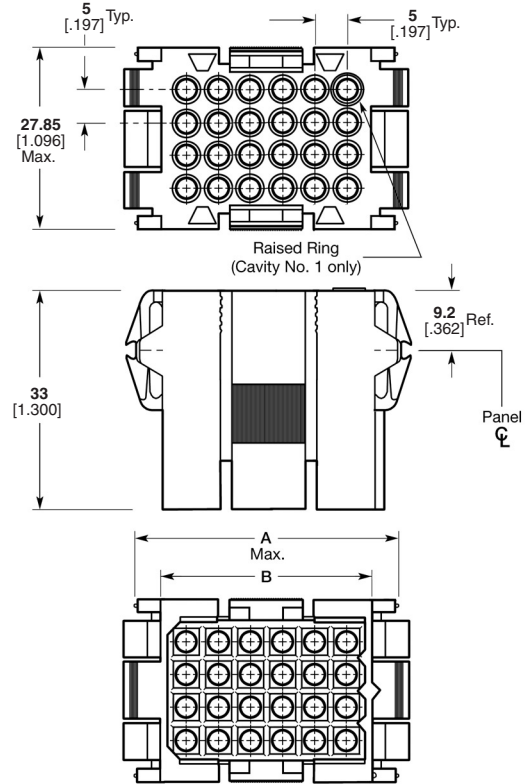
Square Grid Connector Specifications

24 and 36 Position Housings

Plug (for Sockets)

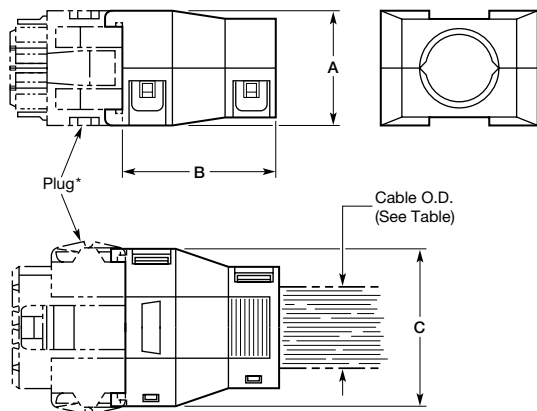


Receptacle (for Pins)



No. of Positions	Connector Dimensions	
	A	B
24	40.45 1.592	32.85 1.293
36	55.45 2.183	47.85 1.885

Strain Relief Kits (for 6, 9, 12, 18, 24 and 36 Position Connectors)



No. of Positions	Dimensions			Cable O.D. (Max.)
	A	B	C	
6	17.75 .700	25.53 1.005	22.75 .896	9.5 .375
9	23.9 .940	32.4 1.275	22.75 .896	11.7 .460
12	23.9 .940	32.4 1.275	27.58 1.086	13.45 .530
18	23.9 .940	38.1 1.500	38.1 1.500	16.5 .650
24	27.94 1.100	38.1 1.500	38.1 1.500	19.05 .750
36	27.94 1.100	38.1 1.500	53.1 2.090	23.3 .918

*Plug shown for illustration purposes only. Strain Relief Kits can be used on either plug or receptacle.

Square Grid Connectors

PC Board Mount Headers

Material and Finish:

Housing—Red thermoplastic, 94V-0 rated

Pin Contacts—Copper alloy, plated tin or gold duplex

Socket Contacts—Phosphor bronze, plated tin or gold duplex

Related Product Data:

Mateable Connectors:

Free-Hanging Connectors—page 9278 (Pin and Socket Headers do not mate.)

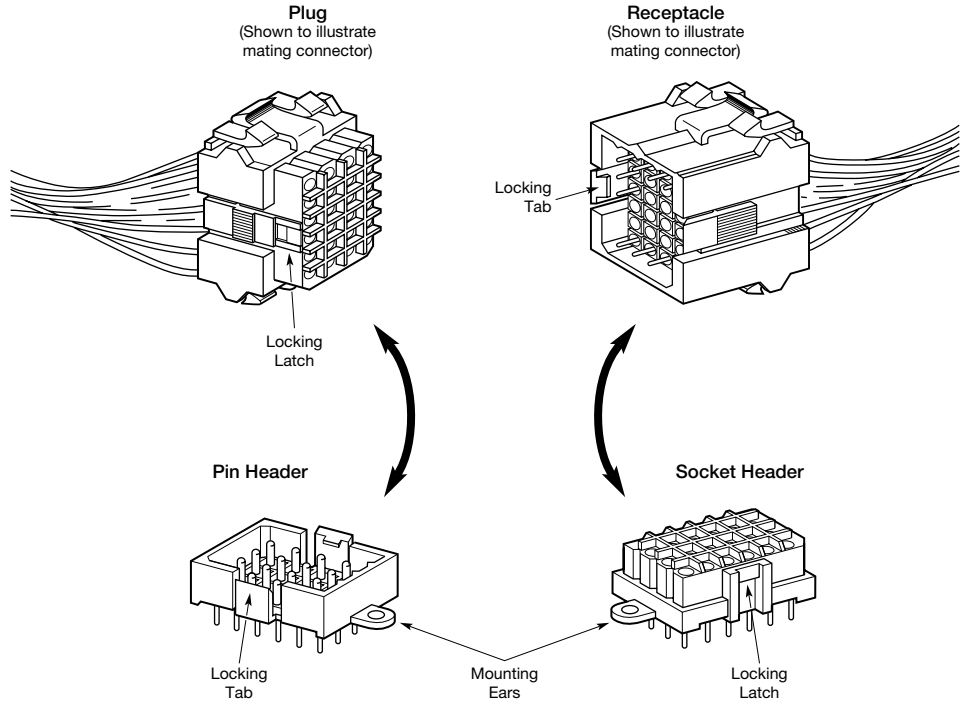
Dimensional Specifications—pages 9282-9284

Performance Characteristics—page 9265

Technical Documents:

Product Specification
108-10033

Application Specification
114-10040



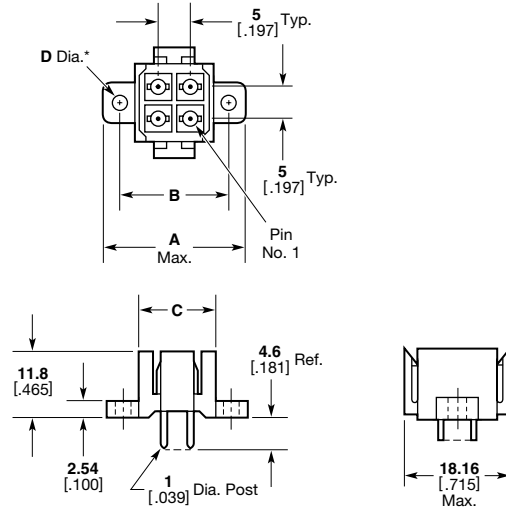
No. of Positions	Contact Plating	Pin Header Part Numbers		Mates with Plug Part Numbers (Page 9278)	Socket Header Part Numbers		Mates with Receptacle Part Numbers (Page 9278)
		With Mounting Ears	Without Mounting Ears		With Mounting Ears	Without Mounting Ears	
4	Tin	207119-1	207119-2	207015-1	207496-1	207496-2	207016-1
	Gold*	207119-3	207119-4		207496-3	207496-4	
6	Tin	207158-1	207158-2	207152-1	207524-1	207524-2	207153-1
	Gold*	207158-3	207158-4		207524-3	207524-4	
9	Tin	207441-1	207441-2	207439-1	207526-1	207526-2	207440-1
	Gold*	207441-3	207441-4		207526-3	207526-4	
12	Tin	207120-1	207120-2	207017-1	207528-1	207528-2	207018-1
	Gold*	207120-3	207120-4		207528-3	207528-4	
18	Tin	207444-1	207444-2	207442-1	207530-1	207530-2	207443-1
	Gold*	207444-3	207444-4		207530-3	207530-4	
24	Tin	206763-1	206763-2	207304-1	207532-1	207532-2	207305-1
	Gold*	206763-3	206763-4		207532-3	207532-4	
36	Tin	207121-1	—	207019-1	207534-1	207534-2	207020-1
	Gold*	207121-3	207121-4		207534-3	207534-4	

*Duplex plated 0.00076 [.000030] gold on mating end, tin-lead on termination end, with entire contact nickel underplated.

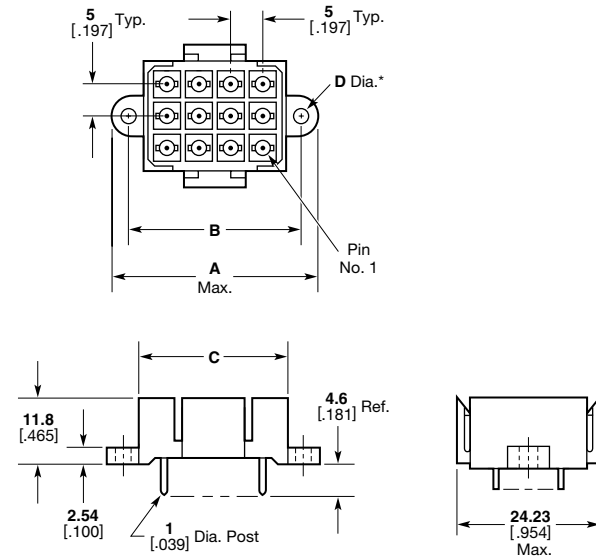
Note: Pin and Socket Headers do not mate.

Square Grid Pin Header Specifications

4 and 6 Position Headers



9, 12 and 18 Position Headers

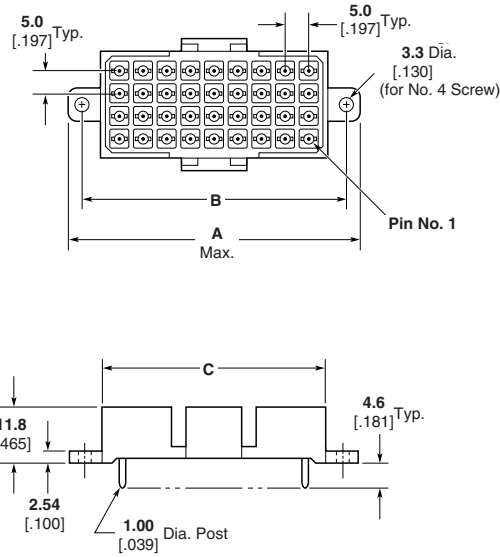


No. of Positions	Header Dimensions			
	A	B	C	D*
4	22.61 .890	17.4 .685	12.7 .500	2.65 .104
6	27.69 1.090	22.4 .882	17.6 .693	2.65 .104
9	27.69 1.090	22.4 .882	17.78 .700	2.65 .104
12	32.5 1.280	27.3 1.075	22.61 .890	2.65 .104
18	47.32 1.863	40.6 1.598	32.85 1.293	3.3 .130

*D Dia.—2.65 [.104] for No. 2 screw; 3.3 [.130] for No. 4 screw.

Square Grid Pin Header Specifications

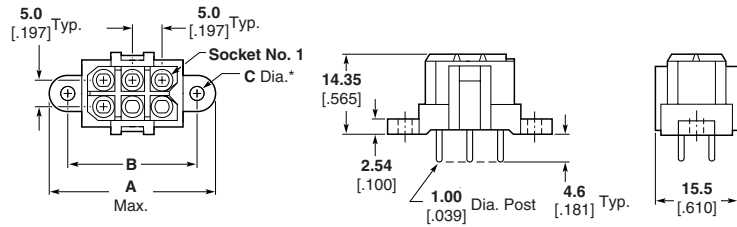
24 and 36 Position Headers



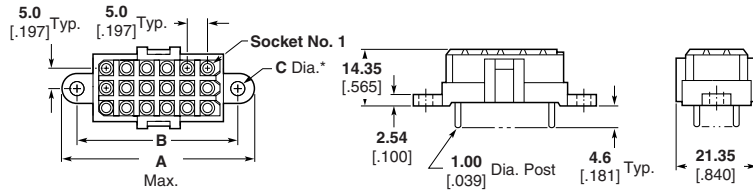
No. of Positions	Header Dimensions			
	A	B	C	D
24	47.32	40.6	32.85	29.36
	1.863	1.598	1.293	1.156
36	62.31	55.58	48.01	29.87
	2.453	2.188	1.890	1.176

Square Grid Socket Header Specifications

4 and 6 Position Headers



9, 12 and 18 Position Headers

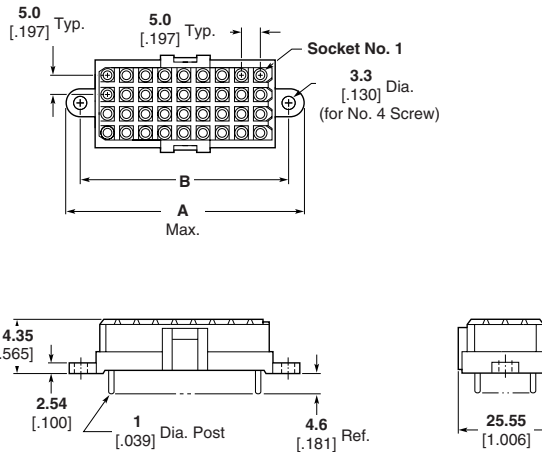


No. of Positions	Header Dimensions		
	A	B	C*
4	22.61	17.4	2.65
	.890	.685	.104
6	27.69	22.4	2.65
	1.090	.882	.104
9	27.69	22.4	2.65
	1.090	.882	.104
12	32.5	27.3	2.65
	1.280	1.075	.104
18	47.32	40.6	3.3
	1.863	1.598	.130

*C Dia.—2.65 [0.104] for No. 2 screw; 3.3 [0.130] for No. 4 screw.

Square Grid Socket Header Specifications

24 and 36 Position Headers



No. of Positions	Header Dimensions	
	A	B
24	47.32 1.863	40.6 1.598
36	62.31 2.453	55.58 2.188

In-Line Connectors, 5 [.197] Centerline

Free-Hanging Connectors

Material:

Red thermoplastic, 94V-0 rated

Related Product Data:

Mateable Connectors:
PC Board Mount Headers—page 9286

Contacts—pages 9150-9154

Keying Plug—page 9289

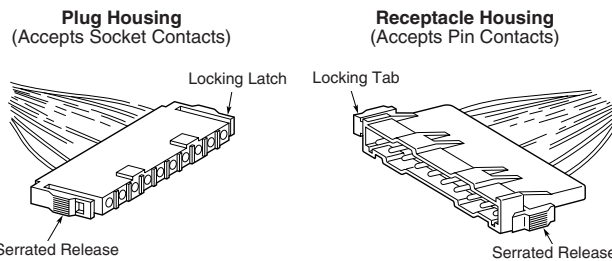
Dimensional Specifications—page 9285

Performance Characteristics—page 9265

Technical Documents:

Product Specification
108-10033

Application Specification
114-10040



No. of Positions	Housing Part Numbers*	
	Plug	Receptacle
1 (Positive Latch)	207535-1**	207535-1**
1 (Breakaway Latch)	211076-1**	211076-1**
3	207360-1	207359-1
6	207377-1	207376-1
10	207396-1	207397-1
16	207542-1	207543-1

*Housing only, order contacts separately.

**Hermaphroditic housing accepts pins or sockets and mates with itself.

