

KBR -MY Series Ceramic Resonators

High Frequency MHz Band Ceramic Resonators f_o : 13.01 to 36.00 MHz

FEATURES

- 1) High frequency resonator to match high-speed needs
- 2) Faster start-up time as compared to quartz crystals
- 3) High durability
- 4) Bulk packaged 500 pieces per bag or 2000 pieces per reel
- 5) Sold in increments of 2000 pieces

HOW TO ORDER

KBR - 16.00 MSA TR

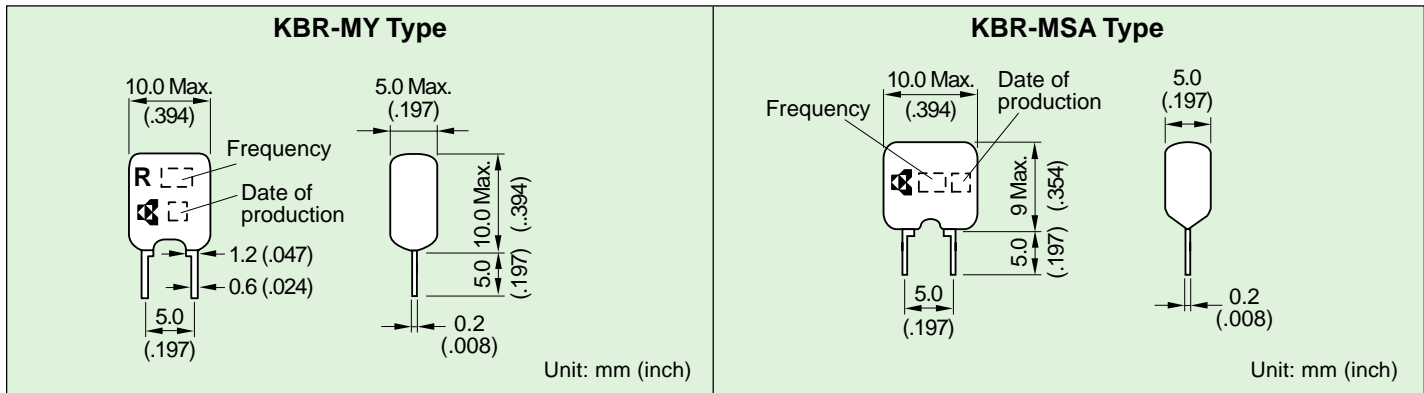
- ① Type: (Kyocera Bulk Resonator)
- ② Oscillation frequency (MHz)
- ③ Resonator type:
MY = CMOS IC
MSA = Standard
- ④ Packaging:
□ = Bulk
TR = Tape and reel



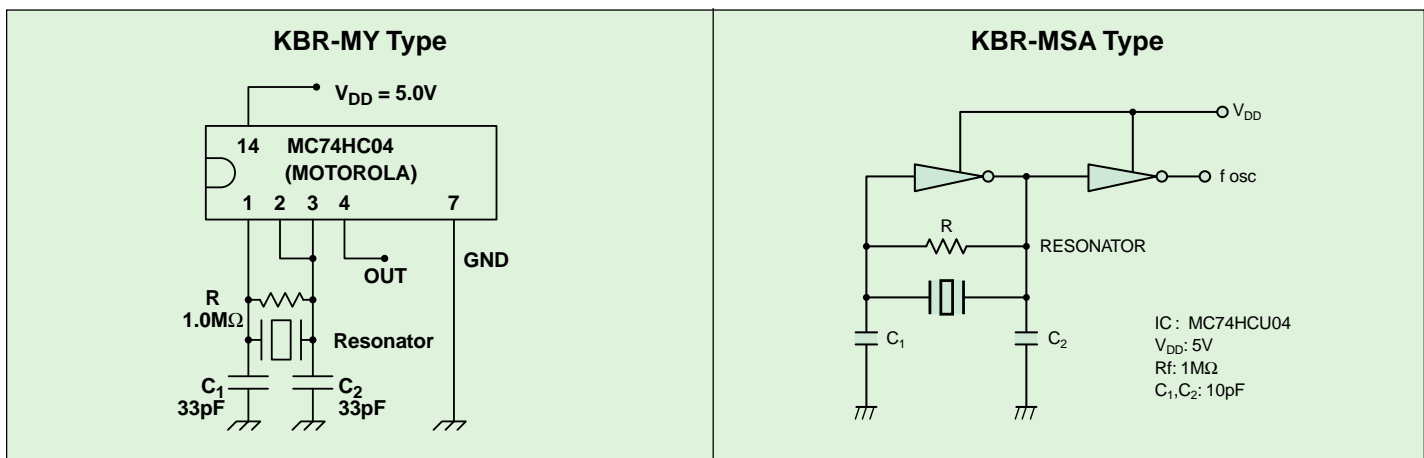
SPECIFICATIONS (KBR-□MY/KBR-□MSA)

Series Type	KBR -MY	KBR -MSA
Frequency Range	13.01 to 15.99 MHz	16.00 to 36.00
Frequency Tolerance	±0.5%	±0.5%
Resonant Impedance	30 max.	30 max.
Temperature Characteristics (-20 to +80°C)	±0.3% max.	±0.3% max.

DIMENSIONS



STANDARD TEST CIRCUIT



Tape & Reel Packaging

MHz Ceramic Resonators

TAPE AND REEL PACKAGING

- 2000 pieces per reel
- Min. of 3 open positions at the beginning and end of tape

AMMO PACK

- 2000 pieces per package
- A minimum of 38.1mm or three positions shall be open at beginning and end of tape
- Each fold shall be 317.35mm in length or the equivalent of twenty-five positions

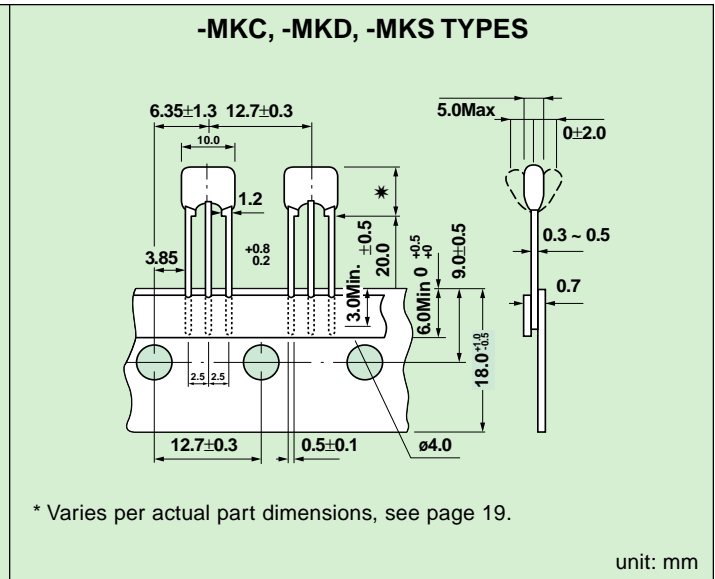
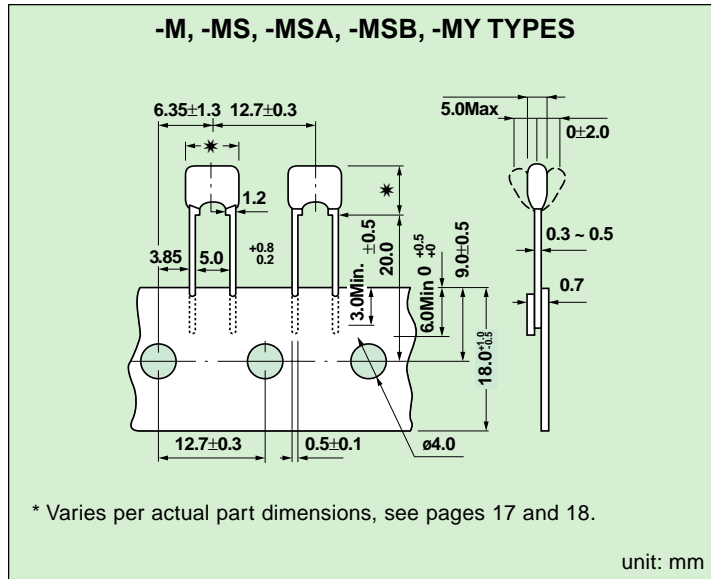
HOW TO ORDER

KBR - **TR**

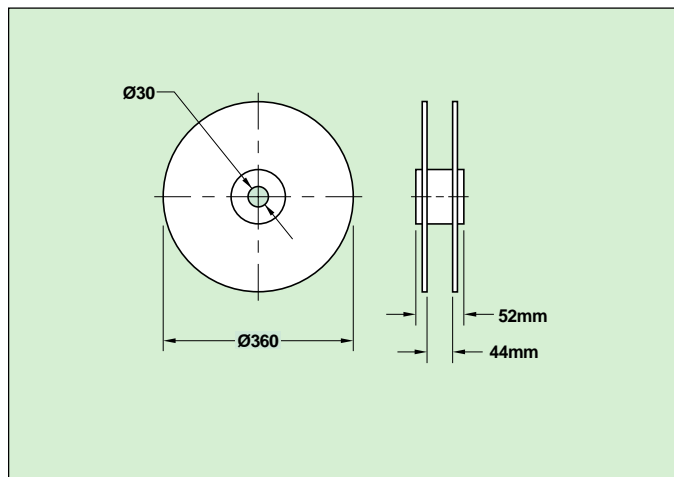
- ① ② ③ ④

- ① Type: (Kyocera Bulk Resonator)
- ② Oscillation frequency (MHz)
- ③ Resonator type = M/MS/MSA/MSB/MY/MKC/MKD
- ④ Packaging:
TR = Tape and reel
TF = Ammo pack

TAPE DIMENSIONS



REEL DIMENSIONS



AMMO PACK DIMENSIONS

