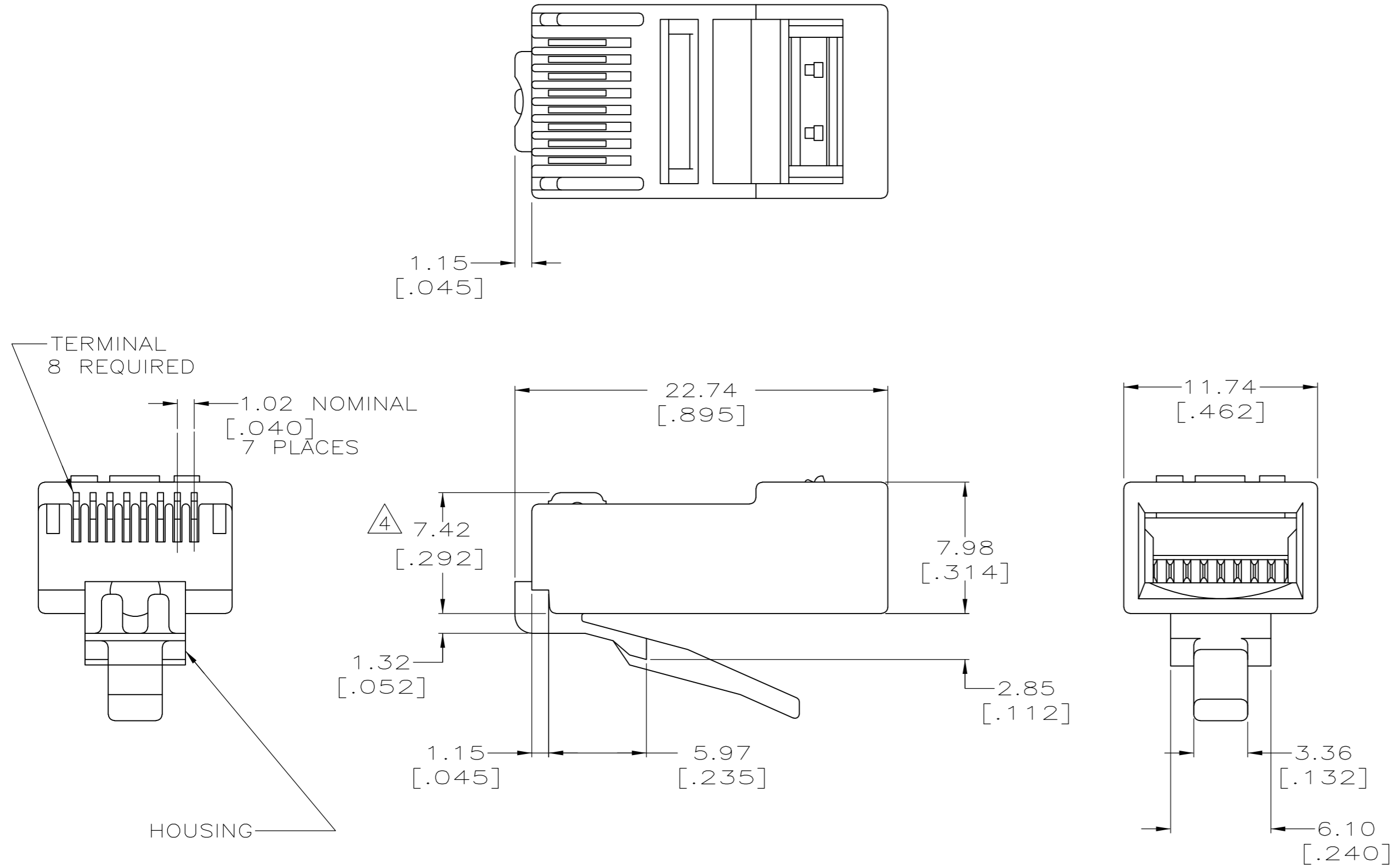


THIS DRAWING IS UNPUBLISHED. RELEASED FOR PUBLICATION  
 © COPYRIGHT - By - ALL RIGHTS RESERVED.

LOC	DIST	REVISIONS					
		P	LTR	DESCRIPTION	DATE	DWN	APVD
HM	00	Y1		REVISED PER ECO-11-005033	21MAR11	RK	HMR

- 1 MATERIAL: HOUSING-POLYCARBONATE,CLEAR. TERMINAL-0.36[.014] THICK PHOSPHOR BRONZE PLATED WITH 1.27μm[.000050] THICK GOLD IN LOCALIZED GOLD PLATE AREA, GOLD FLASH OVER THE REMAINDER, OVER 2.54μm[.000100] THICK NICKEL UNDERPLATE.
- 2 DIMENSIONS ARE MAXIMUM UNLESS OTHERWISE SPECIFIED.
- 3. PLUG WILL ACCEPT 0.74-0.99[.029-.039] DIAMETER STRANDED WIRE, 26 OR 28 AWG, WITH A 5.34[.210] DIAMETER MAXIMUM JACKET.
- 4 TERMINATED DIMENSION 6.15[.242] MAXIMUM.
- 5 10 ASSEMBLIES PER PACKAGE
- 6 10,000 ASSEMBLIES PER PACKAGE.
- 7 500 ASSEMBLIES PER PACKAGE.
- 8 100 ASSEMBLIES PER PACKAGE.
- 9 25 ASSEMBLIES PER PACKAGE.
- 10 SEE RESTRICTED CUSTOMER DRAWING 5-554169-5.
- 11 100 ASSEMBLIES PER PACKAGE.



SUPERSEDED BY 5-554169-4	11	6-554169-5
SUPERSEDED BY 5-554169-4	5	6-554169-3
	-	10
	9	5-554169-4
	8	5-554169-3
	7	5-554169-2
	6	5-554169-1
PACKAGED		PART NO

THIS DRAWING IS A CONTROLLED DOCUMENT.		DWN	8-30-93	<b>TE</b> TE Connectivity	
DIMENSIONS: mm [INCHES]		YTP/JTA	9-15-93		
TOLERANCES UNLESS OTHERWISE SPECIFIED:		CHK	9-20-93	MODULAR PLUG ASSEMBLY, 8 POSITION, ROUND CABLE	
0 PLC ± -		C.WHITT			
1 PLC ± -		APVD	J.TONEY	NAME	
2 PLC ± -		PRODUCT SPEC	108-1163		
3 PLC ± -		APPLICATION SPEC	114-6016	SIZE	A2
4 PLC ± -		FINISH	-	CAGE CODE	00779
ANGLES ± -		WEIGHT	-	DRAWING NO	C=554169
MATERIAL - 1		CUSTOMER DRAWING		RESTRICTED TO	-
		SCALE	4:1	SHEET	1 OF 1
		REV	Y1		