

Materials and Finish

Housing: PBT Thermoplastic,
UL 94V-0 Rated

Terminals: Phosphor Bronze
Tin plated

Mechanical Characteristics

Insertion Force:
0.4kg - 2.0kg

Extraction Force:
0.3kg - 2.0kg

Durability: 5000 mating cycles

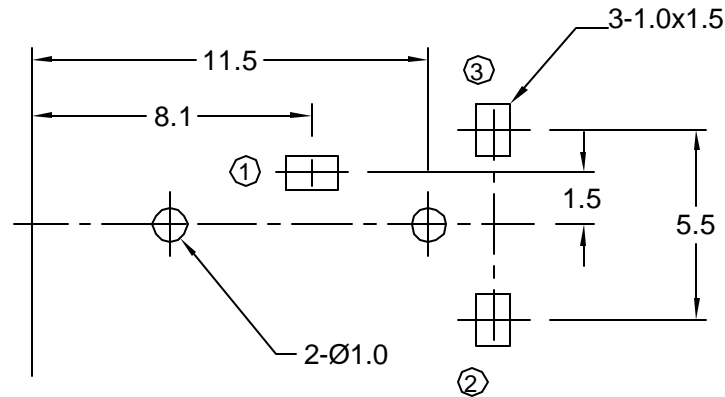
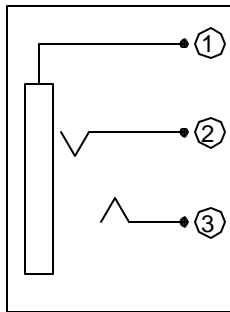
Electrical Characteristics

Contact Resistance:
Before Test: 30mohms Max.
After Durability Test:
60 mohms Max.

Insulation Resistance:
More than 100 Megohms
at 250V DC

Dielectric Strength:
250V AC RMS for 1 minute

Operating Temp:
-25°C to +80°C



Recommended PCB Layout
(Bottom View)

Tolerances

X.X ± 0.25
X.XX ± 0.15
Unless Stated
Otherwise



REV.	DATE	DESCRIPTION	REV. BY	CHK. BY	DRAWN BY	DATE
A1	10/11/02	corrected housing material	T. Gokcek	X. XXXXXX	J. Kring	5/7/96
B1	02/27/06	ECO 06-012	R. Aguirre	H. MA		

ST-3000

3.5mm Stereo Jack

All Plastic Body, Rt Ang. PCB Mount

