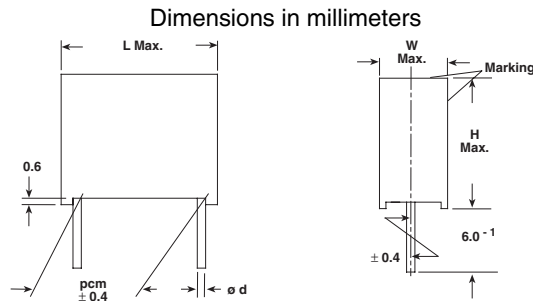


Metallized Polypropylene Film Capacitor

Related Document: IEC 60384-16



| PCM | W | Ø d |
|-----------|--------|-----|
| 7.5 | | 0.6 |
| 10 - 37.5 | < 16.0 | 0.8 |
| 10 - 37.5 | ≥ 16.0 | 1.0 |

MAIN APPLICATIONS

High voltage, high current and high pulse operations, deflection circuits in TV sets (S-correction and fly-back tuning). Protection circuits in SMPS's. Snubber and electronic ballast circuits. Input and output filtering in SPS designs, storage, timing and integrating circuits.

MARKING

Manufacturer's logo/type/C-value/rated voltage/tolerance/date of manufacture

DIELECTRIC

Polypropylene film

ELECTRODES

Vacuum deposited aluminum

COATING

Flame retardant plastic case (UL-class 94 V-0), blue, epoxy resin sealed. Flame class B according to IEC 60065 available on request

CONSTRUCTION

Extended double-sided metallized polyester film, internal series connection (630 VDC/400 VAC to 2000 VDC), double-sided metallized polyester carrier film (refer to general information)

LEADS

Tinned wire

IEC TEST CLASSIFICATION

55/100/56, according to IEC 60068

OPERATING TEMPERATURE RANGE

- 55°C to + 100°C

MAXIMUM PULSE RISE TIME

| PCM (mm) | Maximum Pulse Rise Time d_v/d_t [V/μs] | | | | | | |
|----------|--|---------|---------|---------|----------|----------|----------|
| | 160 VDC | 250 VDC | 400 VDC | 630 VDC | 1000 VDC | 1600 VDC | 2000 VDC |
| 7.5 | 1800 | 2200 | 3600 | 4500 | — | — | — |
| 10 | 820 | 1140 | 1840 | 2280 | — | — | — |
| 15 | 410 | 560 | 910 | 3430 | 6600 | 11,100 | 20,300 |
| 22.5 | 260 | 320 | 520 | 2120 | 2800 | 3800 | 6200 |
| 27.5 | 202 | 240 | 400 | 1524 | 2000 | 2680 | 4200 |
| 37.5 | 140 | 170 | 280 | 980 | 1280 | 1690 | 2600 |

If the maximum pulse voltage is less than the rated voltage higher d_v/d_t values can be permitted.

FEATURES

Product is completely lead (Pb)-free
Product is RoHS-compliant



RoHS
COMPLIANT

CAPACITANCE RANGE

470pF to 6.8μF

CAPACITANCE TOLERANCES

± 20% (M), ± 10% (K), ± 5% (J)

RATED VOLTAGES (U_R):

160 VDC, 250 VDC, 400 VDC, 630 VDC, 1000 VDC, 1600 VDC, 2000 VDC

PERMISSIBLE AC VOLTAGES (RMS) UP TO 60Hz

100 VAC, 160 VAC, 220 VAC, 250 VAC, 400 VAC, 600 VAC, 650 VAC, 700 VAC

TEST VOLTAGE (ELECTRODE/ELECTRODE)

1.6 x U_R for 2 s

INSULATION RESISTANCE

Measured at 100 VDC after one minute

For $C \leq 0.33\mu\text{F}$:

100,000 MΩ minimum value (150,000 MΩ typical value)

TIME CONSTANT

Measured at 100 VDC after one minute

For $C > 0.33\mu\text{F}$:

30,000 s minimum value (50,000 s typical value)

TEMPERATURE COEFFICIENT

- 250 x 10⁻⁶/°C (typical value)

CAPACITANCE DRIFT

Up to + 40°C, ± 0.5% for a period of two years

DERATING FOR DC AND AC CATEGORY VOLTAGE U_C

At + 85°C: $U_C = 1.0 U_R$

At + 100°C: $U_C = 0.7 U_R$

SELF INDUCTANCE

~ 6 nH measured with 2mm long leads

PULL TEST ON LEADS

≥ 30 N in direction of leads according to IEC 60068-2-21

RELIABILITY

Operational life > 300,000 h

Failure rate < 2 FIT (40°C and 0.5 x U_R)

For further details, please refer to the general information available at www.vishay.com/doc?26033.



DISSIPATION FACTOR TAN δ

| MEASURED AT | $C \leq 0.1\mu\text{F}$ | $0.1\mu\text{F} < C \leq 1.0\mu\text{F}$ | $C > 1.0\mu\text{F}$ |
|----------------|-------------------------|--|----------------------|
| 1kHz | 0.3×10^{-3} | 0.3×10^{-3} | 0.3×10^{-3} |
| 10kHz | 0.4×10^{-3} | 0.5×10^{-3} | — |
| 100kHz | 1.5×10^{-3} | — | — |
| Maximum values | | | |

| CAPACITANCE | CAPACITANCE CODE | VOLTAGE CODE 16 160 VDC/100 VAC | | | | VOLTAGE CODE 25 250 VDC/160 VAC | | | | VOLTAGE CODE 40 400 VDC/220 VAC | | | | VOLTAGE CODE 63 630 VDC/250 VAC | | | |
|---------------------|------------------|------------------------------------|------|------|------|------------------------------------|------|------|------|------------------------------------|------|------|------|------------------------------------|-----|------|-----|
| | | W | H | L | PCM | W | H | L | PCM | W | H | L | PCM | W | H | L | PCM |
| 470pF | - 147 | — | — | — | — | — | — | — | — | — | — | — | — | 4.5 | 9.5 | 10.0 | 7.5 |
| 680pF | - 168 | — | — | — | — | — | — | — | — | — | — | — | — | 3.0 | 8.5 | 10.0 | 7.5 |
| 1000pF | - 210 | — | — | — | — | — | — | — | — | — | — | — | — | 3.0 | 8.5 | 10.0 | 7.5 |
| 1500pF | - 215 | — | — | — | — | — | — | — | — | — | — | — | — | 3.0 | 8.5 | 10.0 | 7.5 |
| 2200pF | - 222 | — | — | — | — | — | — | — | — | — | — | — | — | 3.0 | 8.5 | 10.0 | 7.5 |
| 3300pF | - 233 | — | — | — | — | — | — | — | — | — | — | — | — | 4.0 | 9.0 | 10.0 | 7.5 |
| 4700pF | - 247 | — | — | — | — | — | — | — | — | 4.5 | 9.5 | 10.0 | 7.5 | — | — | — | — |
| 6800pF | - 268 | — | — | — | — | 4.0 | 9.0 | 10.0 | 7.5 | 5.0 | 10.5 | 10.3 | 7.5 | — | — | — | — |
| 0.01 μF | - 310 | 4.0 | 9.0 | 10.0 | 7.5 | 4.5 | 9.5 | 10.0 | 7.5 | 4.5 | 9.5 | 13.0 | 10 | — | — | — | — |
| 0.015 μF | - 315 | 5.0 | 10.5 | 10.3 | 7.5 | 4.5 | 9.5 | 10.0 | 7.5 | 5.5 | 10.5 | 13.0 | 10 | — | — | — | — |
| 0.022 μF | - 322 | 4.0 | 9.0 | 13.0 | 10 | 4.5 | 9.5 | 13.0 | 10 | 6.5 | 11.5 | 13.0 | 10 | — | — | — | — |
| 0.033 μF | - 333 | 4.5 | 9.5 | 13.0 | 10 | 5.5 | 10.5 | 13.0 | 10 | 5.5 | 10.5 | 18.0 | 15 | — | — | — | — |
| 0.047 μF | - 347 | 5.5 | 10.5 | 13.0 | 10 | 6.5 | 11.5 | 13.0 | 10 | 6.5 | 12.5 | 18.0 | 15 | — | — | — | — |
| 0.068 μF | - 368 | 6.5 | 11.5 | 13.0 | 10 | 5.5 | 10.5 | 18.0 | 15 | 7.5 | 13.5 | 18.0 | 15 | — | — | — | — |
| 0.10 μF | - 410 | 5.5 | 10.5 | 18.0 | 15 | 6.5 | 12.5 | 18.0 | 15 | 8.5 | 14.5 | 18.0 | 15 | — | — | — | — |
| 0.15 μF | - 415 | 6.5 | 12.5 | 18.0 | 15 | 7.5 | 13.5 | 18.0 | 15 | 8.5 | 16.5 | 26.5 | 22.5 | — | — | — | — |
| 0.22 μF | - 422 | 7.5 | 13.5 | 18.0 | 15 | 8.5 | 17.5 | 18.0 | 15 | 10.5 | 18.5 | 26.5 | 22.5 | — | — | — | — |
| 0.33 μF | - 433 | 8.5 | 17.5 | 18.0 | 15 | 8.5 | 16.5 | 26.5 | 22.5 | 11.0 | 21.0 | 26.5 | 22.5 | — | — | — | — |
| 0.47 μF | - 447 | 8.5 | 16.5 | 26.5 | 22.5 | 10.5 | 18.5 | 26.5 | 22.5 | 13.5 | 23.5 | 31.5 | 27.5 | — | — | — | — |
| 0.68 μF | - 468 | 9.0 | 17.0 | 26.5 | 22.5 | 11.0 | 21.0 | 26.5 | 22.5 | 15.0 | 24.5 | 31.5 | 27.5 | — | — | — | — |
| 1.0 μF | - 510 | 11.0 | 21.0 | 26.5 | 22.5 | 11.5 | 20.5 | 31.5 | 27.5 | 14.5 | 24.5 | 41.5 | 37.5 | — | — | — | — |
| 1.5 μF | - 515 | 13.5 | 23.5 | 31.5 | 27.5 | 15.0 | 24.5 | 31.5 | 27.5 | 18.0 | 32.5 | 41.5 | 37.5 | — | — | — | — |
| 2.2 μF | - 522 | 15.0 | 24.5 | 31.5 | 27.5 | 16.5 | 29.5 | 31.5 | 27.5 | 20.0 | 40.0 | 42.5 | 37.5 | — | — | — | — |
| 3.3 μF | - 533 | 18.0 | 33.0 | 31.5 | 27.5 | 20.0 | 35.0 | 31.5 | 27.5 | — | — | — | — | — | — | — | — |
| 4.7 μF | - 547 | 18.0 | 32.5 | 41.5 | 37.5 | 20.0 | 40.0 | 42.5 | 37.5 | — | — | — | — | — | — | — | — |
| 6.8 μF | - 568 | 20.0 | 40.0 | 42.5 | 37.5 | — | — | — | — | — | — | — | — | — | — | — | — |

Further C-values upon request

RECOMMENDED PACKAGING

| LETTER CODE | TYPE OF PACKAGING | HEIGHT (H) (mm) | REEL DIAMETER (mm) | ORDERING CODE EXAMPLES | PCM 7.5 - 10 | PCM 15 | PCM 22.5 - 27.5 | PCM 37.5 |
|-------------|-------------------|-----------------|--------------------|------------------------|--------------|--------|-----------------|----------|
| D | AMMO | 16.5 | S* | MKP 1841-310-405-D | X | X | — | — |
| G | AMMO | 18.5 | S* | MKP 1841-310-405-G | X | X | — | — |
| F | REEL | 16.5 | 350 | MKP 1841-310-405-F | X | X | — | — |
| W | REEL | 18.5 | 350 | MKP 1841-310-405-W | X | X | — | — |
| V | REEL | 18.5 | 500 | MKP 1841-522-165-V | — | X | X | — |
| G | AMMO | 18.5 | L* | MKP 1841-522-165-G | — | — | X | — |
| — | BULK | — | — | MKP 1841-547-255 | X | X | X | X |

*S = box size 55 x 210 x 340mm (W x H x L)

*L = box size 60 x 510 x 360mm (W x H x L)



| CAPACITANCE | CAPACITANCE CODE | VOLTAGE CODE 63 630 VDC/400 VAC | | | | VOLTAGE CODE 10 1000 VDC/600VAC | | | | VOLTAGE CODE 13 1600 VDC/650 VAC | | | | VOLTAGE CODE 20 2000 VDC/700 VAC | | | |
|-------------|------------------|------------------------------------|------|------|------|------------------------------------|------|------|------|-------------------------------------|------|------|------|-------------------------------------|------|------|------|
| | | W | H | L | PCM | W | H | L | PCM | W | H | L | PCM | W | H | L | PCM |
| 470pF | - 147 | — | — | — | — | — | — | — | — | — | — | — | — | 5.5 | 10.5 | 18.0 | 15 |
| 680pF | - 168 | — | — | — | — | — | — | — | — | — | — | — | — | 5.5 | 10.5 | 18.0 | 15 |
| 1000pF | - 210 | — | — | — | — | — | — | — | — | 5.5 | 10.5 | 18.0 | 15 | 6.5 | 14.5 | 26.5 | 22.5 |
| 1500pF | - 215 | — | — | — | — | — | — | — | — | 5.5 | 10.5 | 18.0 | 15 | 6.5 | 14.5 | 26.5 | 22.5 |
| 2200pF | - 222 | — | — | — | — | 5.5 | 10.5 | 18.0 | 15 | 5.5 | 10.5 | 18.0 | 15 | 6.5 | 14.5 | 26.5 | 22.5 |
| 3300pF | - 233 | — | — | — | — | 5.5 | 10.5 | 18.0 | 15 | 6.5 | 14.5 | 26.5 | 22.5 | 6.5 | 14.5 | 26.5 | 22.5 |
| 4700pF | - 247 | 5.5 | 10.5 | 18.0 | 15 | 5.5 | 10.5 | 18.0 | 15 | 6.5 | 14.5 | 26.5 | 22.5 | 6.5 | 14.5 | 26.5 | 22.5 |
| 6800pF | - 268 | 5.5 | 10.5 | 18.0 | 15 | 7.5 | 13.5 | 18.0 | 15 | 6.5 | 14.5 | 26.5 | 22.5 | 7.5 | 15.5 | 26.5 | 22.5 |
| 0.010µF | - 310 | 5.5 | 10.5 | 18.0 | 15 | 6.5 | 14.5 | 26.5 | 22.5 | 6.5 | 14.5 | 26.5 | 22.5 | 10.5 | 18.5 | 26.5 | 22.5 |
| 0.015µF | - 315 | 6.5 | 12.5 | 18.0 | 15 | 6.5 | 14.5 | 26.5 | 22.5 | 7.5 | 15.5 | 26.5 | 22.5 | 9.0 | 18.5 | 31.5 | 27.5 |
| 0.022µF | - 322 | 7.5 | 13.5 | 18.0 | 15 | 7.5 | 15.5 | 26.5 | 22.5 | 8.5 | 16.5 | 26.5 | 22.5 | 11.5 | 20.5 | 31.5 | 27.5 |
| 0.033µF | - 333 | 7.5 | 15.5 | 26.5 | 22.5 | 10.5 | 18.5 | 26.5 | 22.5 | 9.0 | 18.5 | 31.5 | 27.5 | 13.5 | 23.5 | 31.5 | 27.5 |
| 0.047µF | - 347 | 8.5 | 16.5 | 26.5 | 22.5 | 9.0 | 18.5 | 31.5 | 27.5 | 11.5 | 20.5 | 31.5 | 27.5 | 12.5 | 22.5 | 41.5 | 37.5 |
| 0.068µF | - 368 | 10.5 | 18.5 | 26.5 | 22.5 | 11.5 | 20.5 | 31.5 | 27.5 | 12.5 | 22.5 | 41.5 | 37.5 | 14.5 | 24.5 | 41.5 | 37.5 |
| 0.10µF | - 410 | 11.5 | 20.5 | 31.5 | 27.5 | 13.5 | 23.5 | 31.5 | 27.5 | 14.5 | 24.5 | 41.5 | 37.5 | 16.0 | 28.5 | 41.5 | 37.5 |
| 0.15µF | - 415 | 13.5 | 23.5 | 31.5 | 27.5 | 12.5 | 22.5 | 41.5 | 37.5 | 16.0 | 28.5 | 41.5 | 37.5 | — | — | — | — |
| 0.22µF | - 422 | 12.5 | 22.5 | 41.5 | 37.5 | 14.5 | 24.5 | 41.5 | 37.5 | 18.0 | 32.5 | 41.5 | 37.5 | — | — | — | — |
| 0.33µF | - 433 | 14.5 | 24.5 | 41.5 | 37.5 | 16.0 | 28.5 | 41.5 | 37.5 | — | — | — | — | — | — | — | — |
| 0.47µF | - 447 | 16.0 | 28.5 | 41.5 | 37.5 | 20.0 | 40.0 | 42.5 | 37.5 | — | — | — | — | — | — | — | — |
| 0.68µF | - 468 | 20.0 | 40.0 | 42.5 | 37.5 | — | — | — | — | — | — | — | — | — | — | — | — |

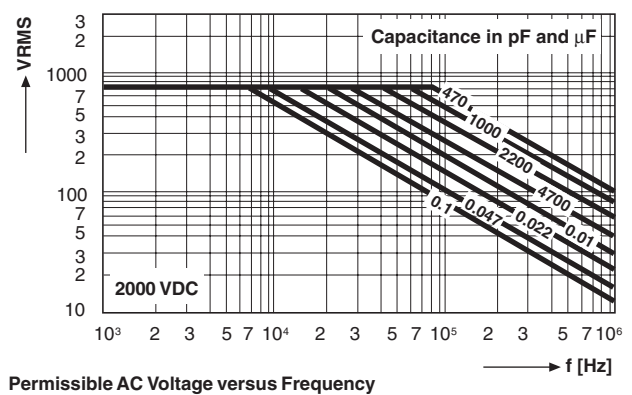
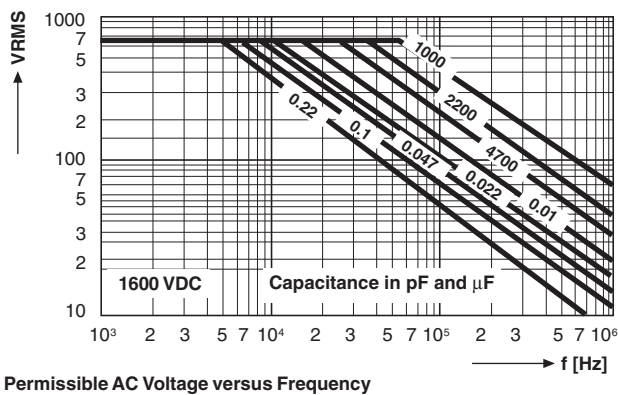
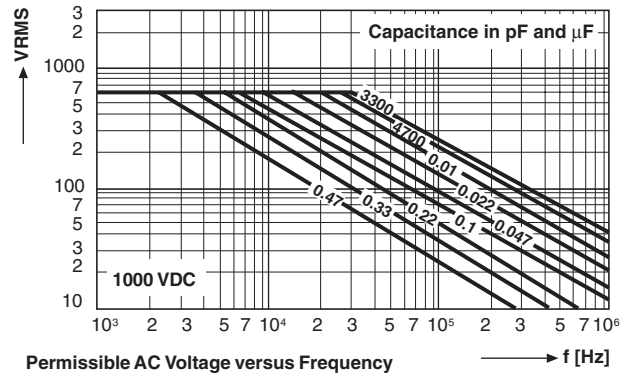
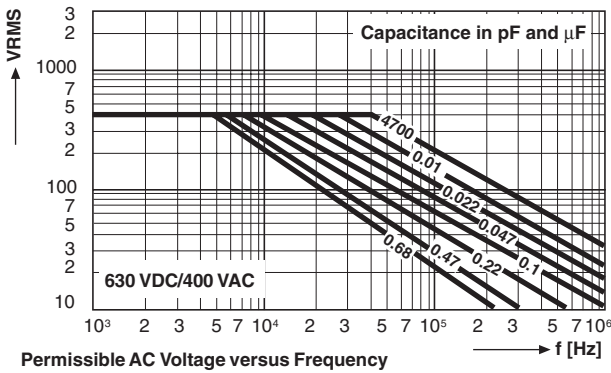
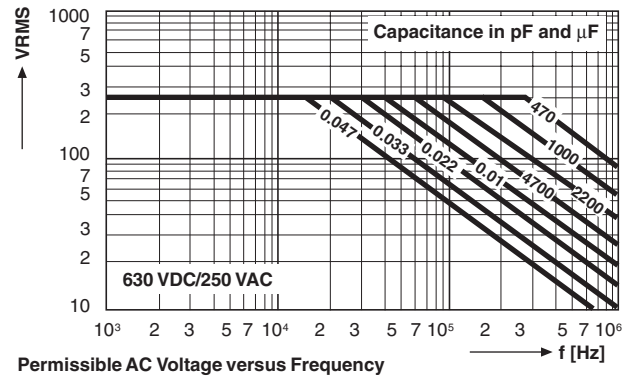
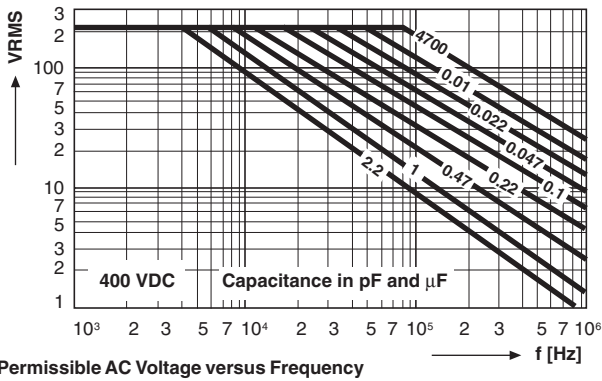
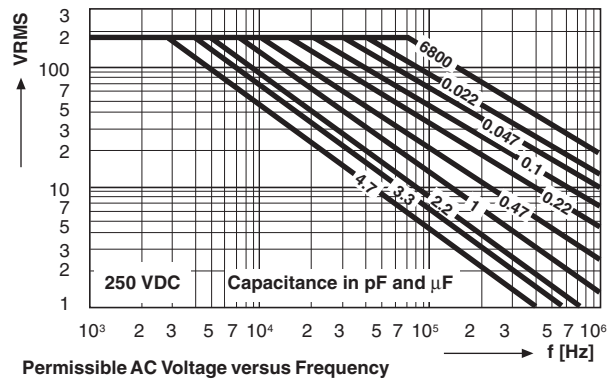
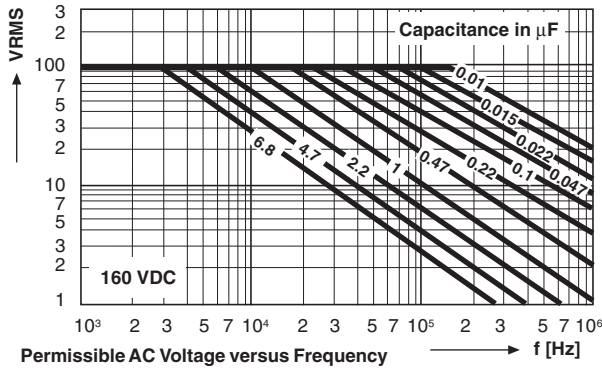
Further C-values upon request

RECOMMENDED PACKAGING

| LETTER CODE | TYPE OF PACKAGING | HEIGHT (H) (mm) | REEL DIAMETER (mm) | ORDERING CODE EXAMPLES | PCM 15 | PCM 22.5 - 27.5 | PCM 37.5 |
|-------------|-------------------|-----------------|--------------------|------------------------|--------|-----------------|----------|
| D | AMMO | 16.5 | S* | MKP 1841-315/635-D | X | — | — |
| G | AMMO | 18.5 | S* | MKP 1841-315/635-G | X | — | — |
| F | REEL | 16.5 | 350 | MKP 1841-315/635-F | X | — | — |
| W | REEL | 18.5 | 350 | MKP 1841-315/635-W | X | — | — |
| V | REEL | 18.5 | 500 | MKP 1841-410/105-V | X | X | — |
| G | AMMO | 18.5 | L* | MKP 1841-410/105-G | — | X | — |
| — | BULK | — | — | MKP 1841-447/105 | X | X | X |

*S = box size 55 x 210 x 340mm (W x H x L)

*L = box size 60 x 510 x 360mm (W x H x L)





Notice

Specifications of the products displayed herein are subject to change without notice. Vishay Intertechnology, Inc., or anyone on its behalf, assumes no responsibility or liability for any errors or inaccuracies.

Information contained herein is intended to provide a product description only. No license, express or implied, by estoppel or otherwise, to any intellectual property rights is granted by this document. Except as provided in Vishay's terms and conditions of sale for such products, Vishay assumes no liability whatsoever, and disclaims any express or implied warranty, relating to sale and/or use of Vishay products including liability or warranties relating to fitness for a particular purpose, merchantability, or infringement of any patent, copyright, or other intellectual property right.

The products shown herein are not designed for use in medical, life-saving, or life-sustaining applications. Customers using or selling these products for use in such applications do so at their own risk and agree to fully indemnify Vishay for any damages resulting from such improper use or sale.