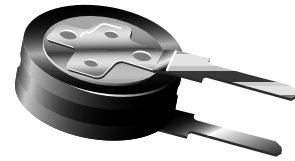


### Electric Double Layer Capacitors (Gold Capacitor)

Series: SD



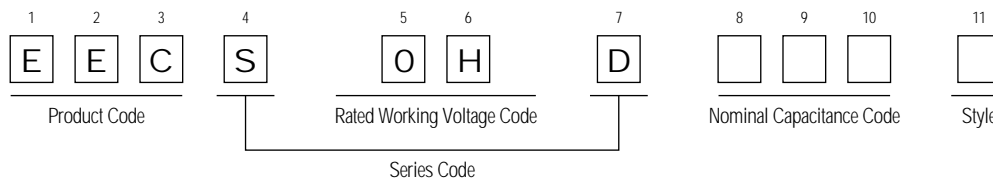
#### ■ Features

- Volumetric efficiency (30% smaller than SG series)
- Suitable for micro current consumption backup such as in CMOS microcomputers and RAM

#### ■ Recommended Applications

- Memory backup for video, audio, cameras, telephones, printers, data terminals, intelligent remote controllers

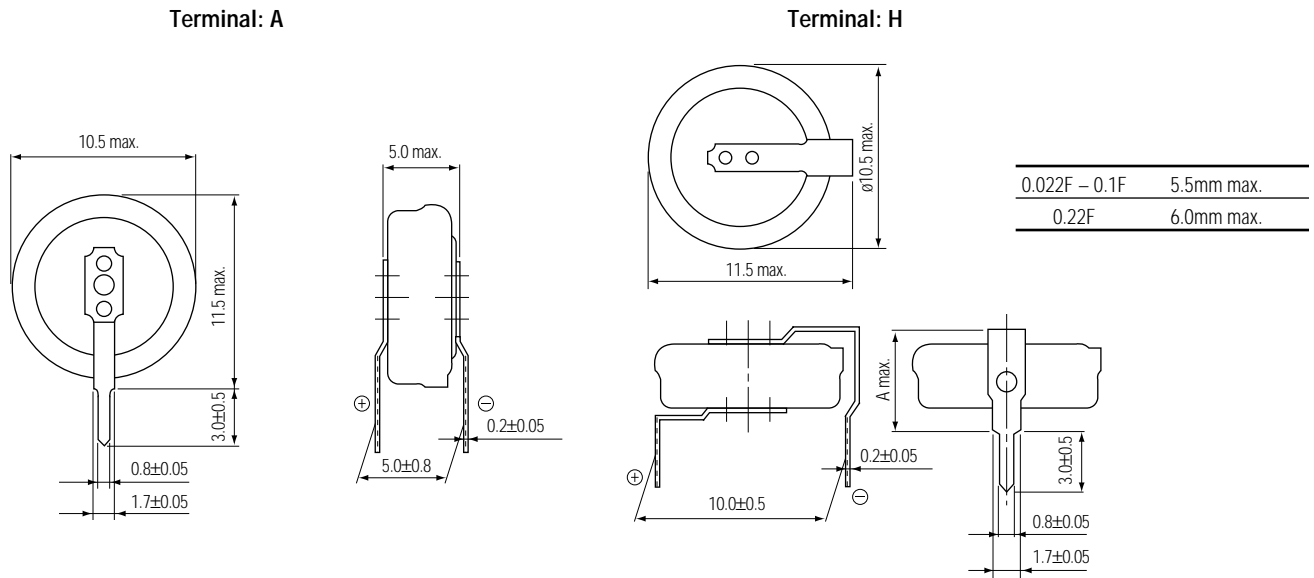
#### ■ Explanation of Part Numbers



#### ■ Specifications

Operating temperature range	-25 to +70°C	
Rated working voltage	5.5 V.DC	
Nominal capacitance range	0.222 to 0.22 F	
Capacitance tolerance	+80% / -20% (+20°C)	
Characteristics at low temperature	Capacitance change	±30% of initial measured value at +20°C (-25 to +70°C)
	Internal resistance	≤5 times of initial measured value at +20°C (at -25°C)
Endurance	After 1,000 hours application of rated DC working voltage at +70°C, the capacitor shall meet the following limits:	
	Capacitance change	±30% of initial measured value
	Internal resistance	≤ 4 times of initial specified value
Shelf life	After 1,000 hours storage at +70°C without load, the capacitor shall meet the specified limits for "Endurance."	
Moisture resistance	After 500 hours storage at +55°C, 90 to 95% R.H., the capacitor shall meet the specified limits for "Endurance."	

■ Dimensions in mm (not to scale)



■ Standard Products

Rated Working Voltage (V. DC)	Capacitance (F)	Part Number	Capacitance Range (F)	Internal Resistance (Ω) at 1 kHz
5.5	0.222	EECS0HD223*	0.0176 to 0.0396	≤ 150
	0.047	EECS0HD473*	0.0376 to 0.0846	≤ 120
	0.10	EECS0HD104*	0.080 to 0.180	≤ 75
	0.22	EECS0HD224*	0.176 to 0.0396	≤ 75

\* Please fill V or H, which means terminal style