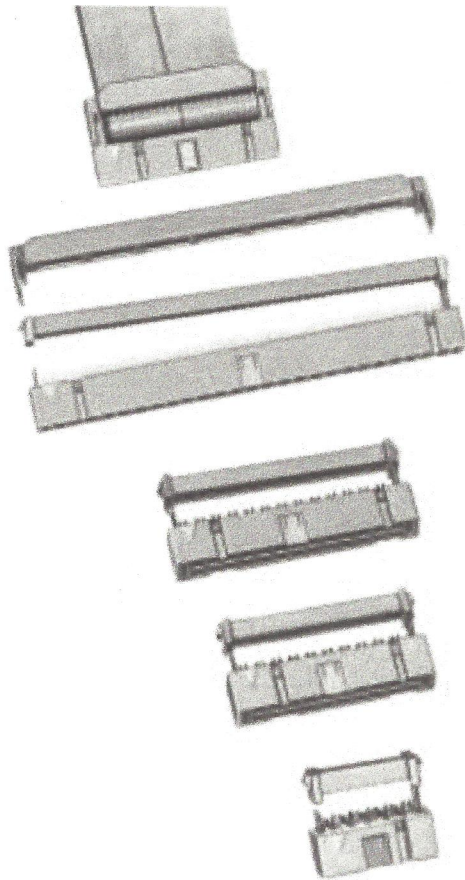
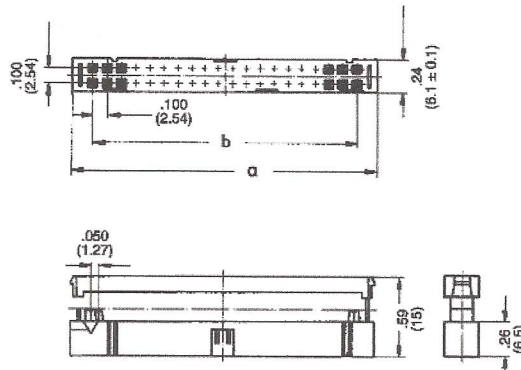


**Series 050  
Sockets**

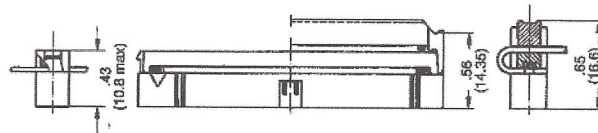
**6 to 64 contact sockets  
compatible with:  
Din 41651,  
MIL-C-83503**



**Without Strain Relief**



**With Strain Relief Bracket - Optional**



**Dimensions**

	6	10	14	16	20	26	34	40	50	60	64
a	.48' (12.2)	.68' (17.3)	.88' (22.4)	.98' (24.9)	1.18' (30.0)	1.48' (37.6)	1.88 (47.8)	2.18' (55.4)	2.68' (68.1)	3.18' (80.8)	3.38' (85.9)
b	.200' (5.08)	.400' (10.16)	.600' (15.24)	.700' (17.78)	.900' (22.86)	1.200' (30.48)	1.600' (40.64)	1.900' (48.26)	2.400' (60.96)	2.900' (73.66)	3.100' (78.74)

**Part numbers**

No. of contacts 6, 10, 14, 16, 20, 26, 34, 40, 50, 60, 64

∇∇ = Number of Circuits

<b>Sockets</b>				
<b>Termination Methods</b>	<b>Plating Thickness</b>	<b>Without Strain Relief</b>		<b>Strain Relief Bracket</b>
		<b>Without Center Polarization</b>	<b>With Center Polarization</b>	
Insulation displacement connection	30μ" Au Plating	050-0 ∇∇ - 435	050-0 ∇∇ - 435A	050-000-0 ∇∇ Must Order Separate
	15μ" Au Plating	050-0 ∇∇ - 455	050-0 ∇∇ - 455A	