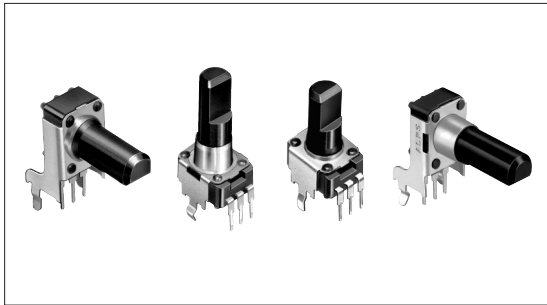


Insulated Shaft Potentiometer 9mm Size Insulated Shaft Snap-in Type

RK09K/RK09D Series



Compact type potentiometer with 9.8mm width is ideal for designing high density sets.



Typical Specifications

| Items | | Specifications |
|-----------------------------|-------------|--------------------------------|
| Total resistance tolerance | Single-unit | ±20% |
| | Dual-unit | ±30% |
| Maximum operating voltage | Single-unit | 50V AC 20V DC |
| | Dual-unit | 50V AC for AC only |
| Total rotational angle | Single-unit | RK09K: 280±5° RK09D: 300±5° |
| | Dual-unit | 280±5° |
| Rotational torque | | 1 to 8mN·m |
| Operating life | Single-unit | 5,000cycles |
| | Dual-unit | 10,000cycles |
| Operating temperature range | | -10°C to +70°C |

Rotary Potentiometers
Slide Potentiometers

Metal Shaft
Insulated Shaft
Knob Operating
Ring Type Devices

Product Line

| Number of resistor elements | Mounting direction | Total rotation angle | Collar (Sleeve type) | Shaft type | Length of the shaft (mm) | Center detent | Total resistance (kΩ) | Resistance taper | Minimum order unit (pcs.) | Products No. | Drawing No. | | |
|-----------------------------|----------------------------|----------------------|----------------------|------------|--------------------------|---------------|-----------------------|------------------|---------------------------|--------------|-------------|--------------|--------------|
| Single-unit (20V DC) | Vertical type | 280±5° | Without | Flat | 15 | With | 10 | 1B | 2,000 | RK09K113004U | 2 | | |
| | | | | | | | 5 | | | RK09K1130AU2 | | | |
| | | | | | | | 10 | | | 15A | | RK09K1130A6S | |
| | | | | | | | 20 | | | RK09K1130AJ3 | | | |
| | | | | | | | 50 | | | RK09K1130ACM | | | |
| | | | | | | | 10 | | | RK09K1130ACL | | | |
| | | | | Knob | 20 | With | 10 | RK09K1130AAU | | | | | |
| | | | | | | | | | | 15 | | 1B | RK09K1130AH1 |
| | | | | | | | | | | 30 | | | RK09K1130BM4 |
| | | | | | | | | | | 5 | | | RK09K1130A8G |
| | | | | | | | | | | 10 | | | RK09K1130A5R |
| | | | | | | | | | | 30 | | | RK09K1130081 |
| | Driver | 15 | Without | 5 | RK09K1130A70 | | | | | | | | |
| | | | | | | 20 | | RK09K1130AP5 | | | | | |
| | | | | | | 5 | | RK09K1130AV7 | | | | | |
| | | | | | | 10 | 15A | RK09K1110A2S | | | | | |
| | | | | | | 20 | | RK09K1110AK4 | | | | | |
| | | | | | | 5 | 1B | RK09K1110AH8 | | | | | |
| | Horizontal type H=6.5mm | Flat | 20 | With | 10 | RK09K1110B1V | | | | | | | |
| | | | | | | | 50 | 15A | | RK09K1110A0J | | | |
| | | | | | | | 10 | | | RK09K11100E9 | | | |
| | | | | | | | 5 | | | RK09K1110B1R | | | |
| | | | | | | | 10 | | | RK09K1110B26 | | | |
| | | | | | | | 50 | | | RK09D1130C1B | | | |
| Knob | | 20 | Without | 10 | RK09D1130C2P | | | | | | | | |
| | | | | | | 5 | | RK09D1130A1L | | | | | |
| | | | | | | 10 | | RK09D1130A1N | | | | | |
| | | | | | | 50 | | RK09D1130C3W | | | | | |
| | | | | | | 10 | | RK09D1130C3C | | | | | |
| | | | | | | 50 | | RK09D113000F | | | | | |
| Horizontal type H=10mm | Flat | 25 | With | 10 | RK09D1130C0R | | | | | | | | |
| | | | | | | 50 | | | | | | | |
| | | | | | | 50 | | | | | | | |
| | Horizontal type H=10mm | 25 | Without | 50 | | | | | | | | | |
| | | | | | | | | | | | | | |
| | | | | | | | | | | | | | |

Note

Products other than those listed in above products are also available. Please contact us for details.

Refer to P.388 for product varieties.
Refer to P.388, 389, 470 for resistance taper.

Rotary Potentiometers
 Slide Potentiometers

Product Line

| Number of resistor elements | Mounting direction | Total rotation angle | Collar (Sleeve type) | Shaft type | Length of the shaft (mm) | Center detent | Total resistance (kΩ) | Resistance taper | Minimum order unit (pcs.) | Products No. | Drawing No. |
|-----------------------------|----------------------------|----------------------|----------------------|------------|--------------------------|---------------|-----------------------|------------------|---------------------------|--------------|-------------|
| Dual-unit (50V AC) | Vertical type | 280±5° | Without | Flat | 15 | Without | 10 | 15A | 2,000 | RK09K12C0A19 | 10 |
| | | | | | 20 | | 50 | | | RK09K12C0A2S | |
| | | | 30 | | 10 | | RK09K12C0A4D | | | | |
| | | | 25 | | | | RK09K12C0A8P | | | | |
| | 30 | | 10 | | RK09K12C0A8K | | | | | | |
| | With | | | | 15 | RK09K12A0A2K | 9 | | | | |
| | | | | | 20 | RK09K12A0A6R | | | | | |
| | Horizontal type H=6.5mm | | | | Without | With | Flat | | | 15 | Without |

For the mixing console market

| Number of resistor elements | Mounting direction | Total rotation angle | Collar (Sleeve type) | Shaft type | Length of the shaft (mm) | Center detent | Total resistance (kΩ) | Resistance taper | Minimum order unit (pcs.) | Products No. | Drawing No. |
|-----------------------------|--------------------|----------------------|----------------------|------------|--------------------------|---------------|-----------------------|------------------|---------------------------|--------------|-------------|
| Single-unit (20V DC) | Vertical type | 300±5° | With | Flat | 30 | With | 10 | 1B | 1,000 | RK09D117000B | 4 |
| | | | | | | Without | | 15A | | RK09D117000C | |

Metal Shaft
 Insulated Shaft
 Knob Operating
 Ring Type Devices

Note

Products other than those listed in above products are also available. Please contact us for details.

Packing specifications


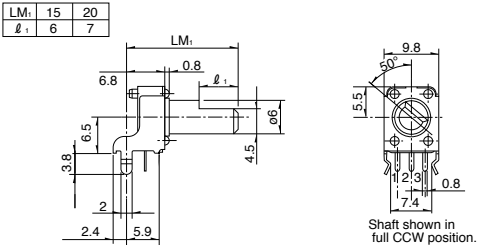
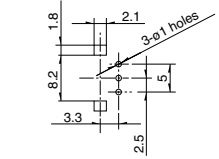

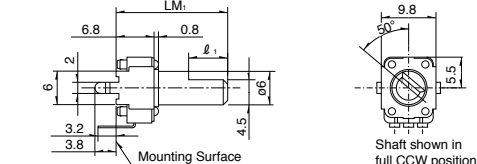
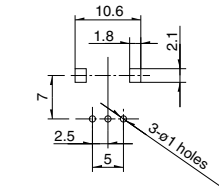
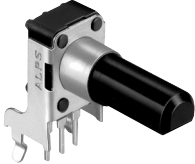
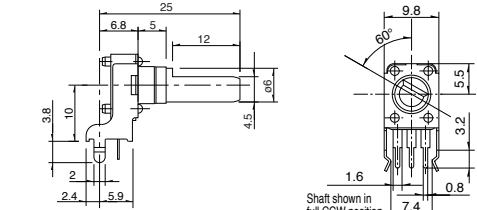
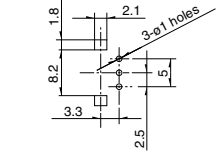
Bulk

| Number of packages (pcs.) | | Export package measurements (mm) |
|---------------------------|-----------------------|----------------------------------|
| 1 case /Japan | 1 case/export packing | |
| 1,000 | 2,000 | 368 × 530 × 180 |

Dimensions

Single-shaft, single-unit

Unit:mm


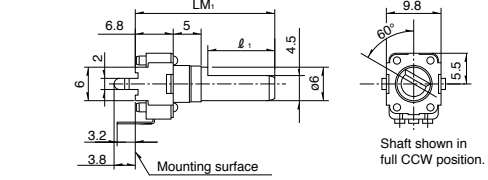
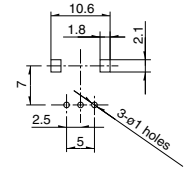

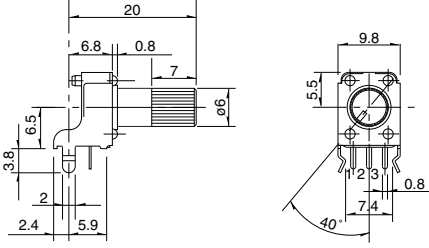
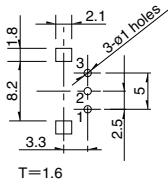
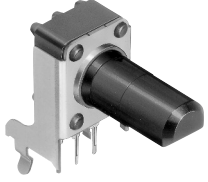
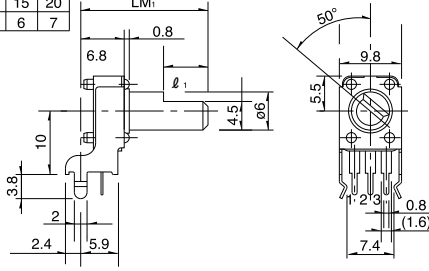
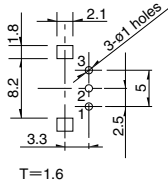

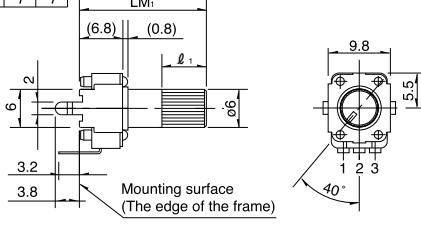
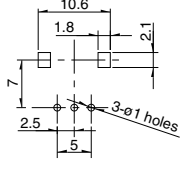
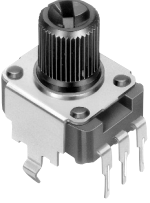
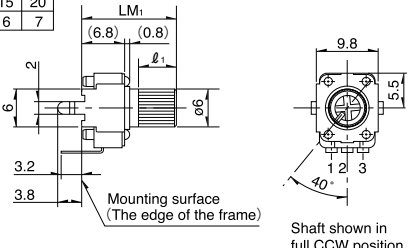
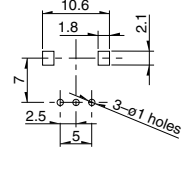
| No. | Photo | Style | PC board mounting hole dimensions (Viewed from mounting side) |
|-----|---|---|---|
| 1 |  |  <p>Shaft shown in full CCW position.</p> |  |
| 2 |  |  <p>Shaft shown in full CCW position.</p> |  |
| 3 |  |  <p>Shaft shown in full CCW position.</p> |  |

Refer to P.388 for product varieties.
 Refer to P.388, 389, 470 for resistance taper.

Dimensions

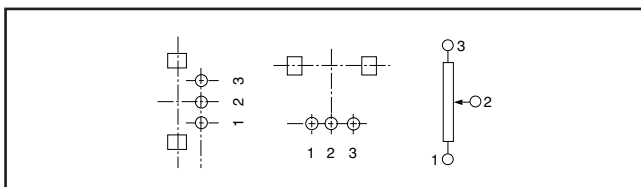
Single-shaft, single-unit

Unit:mm

| No. | Photo | Style | PC board mounting hole dimensions (Viewed from mounting side) | | | | | | | | |
|-----------------|---|--|---|----|----|----------------|----------------|---|---|----|---|
| 4 | <p>Vertical type with collar RK09D113</p>  | <table border="1"> <tr> <td>LM₁</td> <td>20</td> <td>25</td> <td>30</td> </tr> <tr> <td>ℓ₁</td> <td>7</td> <td>12</td> <td>12</td> </tr> </table>  <p>Shaft shown in full CCW position.</p> | LM ₁ | 20 | 25 | 30 | ℓ ₁ | 7 | 12 | 12 |  |
| LM ₁ | 20 | 25 | 30 | | | | | | | | |
| ℓ ₁ | 7 | 12 | 12 | | | | | | | | |
| 5 | <p>Horizontal type RK09K111</p>  |  |  | | | | | | | | |
| 6 | <p>Horizontal type RK09K111</p>  | <table border="1"> <tr> <td>LM₁</td> <td>15</td> <td>20</td> </tr> <tr> <td>ℓ₁</td> <td>6</td> <td>7</td> </tr> </table>  | LM ₁ | 15 | 20 | ℓ ₁ | 6 | 7 |  | | |
| LM ₁ | 15 | 20 | | | | | | | | | |
| ℓ ₁ | 6 | 7 | | | | | | | | | |
| 7 | <p>Vertical type RK09K113</p>  | <table border="1"> <tr> <td>LM₁</td> <td>15</td> <td>20</td> <td>30</td> </tr> <tr> <td>ℓ₁</td> <td>6</td> <td>7</td> <td>7</td> </tr> </table>  <p>Mounting surface (The edge of the frame)</p> | LM ₁ | 15 | 20 | 30 | ℓ ₁ | 6 | 7 | 7 |  |
| LM ₁ | 15 | 20 | 30 | | | | | | | | |
| ℓ ₁ | 6 | 7 | 7 | | | | | | | | |
| 8 | <p>Vertical type RK09K113</p>  | <table border="1"> <tr> <td>LM₁</td> <td>15</td> <td>20</td> </tr> <tr> <td>ℓ₁</td> <td>6</td> <td>7</td> </tr> </table>  <p>Mounting surface (The edge of the frame)</p> <p>Shaft shown in full CCW position.</p> | LM ₁ | 15 | 20 | ℓ ₁ | 6 | 7 |  | | |
| LM ₁ | 15 | 20 | | | | | | | | | |
| ℓ ₁ | 6 | 7 | | | | | | | | | |

Terminal Layout/Circuit Diagram

Single-unit



Rotary Potentiometers
Slide Potentiometers


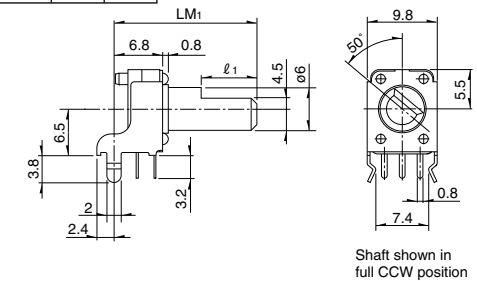
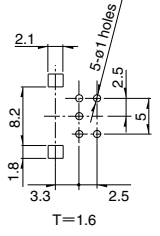
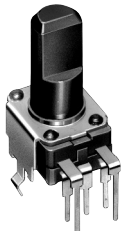
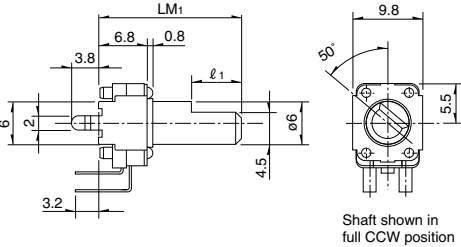
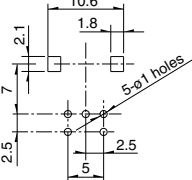
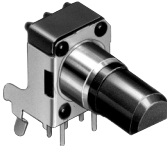
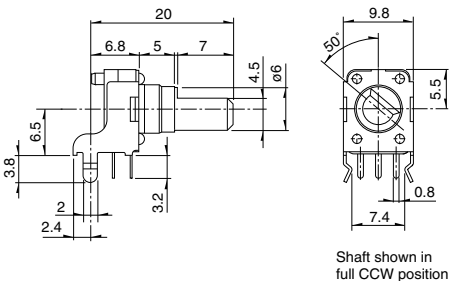
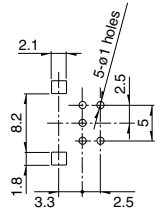
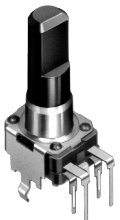
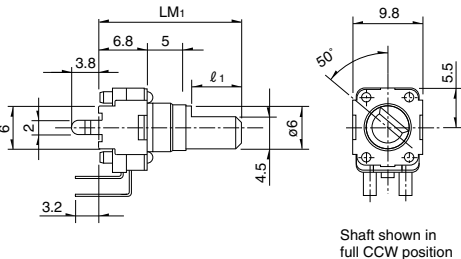
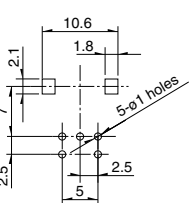
Metal Shaft
Insulated Shaft

Knob Operating
Ring Type Devices

Dimensions

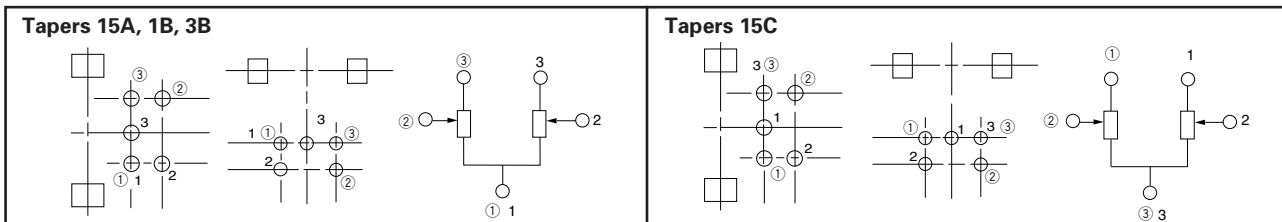
Single-shaft, dual-unit

Unit:mm

| No. | Photo | Style | PC board mounting hole dimensions (Viewed from mounting side) | | | | | | | | |
|-----------------|---|--|---|----|----|----------------|----------------|----|---|----|--|
| 9 |  | <table border="1"> <tr> <td>LM₁</td> <td>15</td> <td>20</td> </tr> <tr> <td>ℓ₁</td> <td>6</td> <td>7</td> </tr> </table>  <p>Shaft shown in full CCW position</p> | LM ₁ | 15 | 20 | ℓ ₁ | 6 | 7 |  | | |
| LM ₁ | 15 | 20 | | | | | | | | | |
| ℓ ₁ | 6 | 7 | | | | | | | | | |
| 10 |  | <table border="1"> <tr> <td>LM₁</td> <td>15</td> <td>20</td> <td>30</td> </tr> <tr> <td>ℓ₁</td> <td>6</td> <td>7</td> <td>12</td> </tr> </table>  <p>Shaft shown in full CCW position</p> | LM ₁ | 15 | 20 | 30 | ℓ ₁ | 6 | 7 | 12 |  |
| LM ₁ | 15 | 20 | 30 | | | | | | | | |
| ℓ ₁ | 6 | 7 | 12 | | | | | | | | |
| 11 |  |  <p>Shaft shown in full CCW position</p> |  | | | | | | | | |
| 12 |  | <table border="1"> <tr> <td>LM₁</td> <td>25</td> <td>30</td> </tr> <tr> <td>ℓ₁</td> <td>12</td> <td>12</td> </tr> </table>  <p>Shaft shown in full CCW position</p> | LM ₁ | 25 | 30 | ℓ ₁ | 12 | 12 |  | | |
| LM ₁ | 25 | 30 | | | | | | | | | |
| ℓ ₁ | 12 | 12 | | | | | | | | | |

Terminal Layout/Circuit Diagram

Dual-unit



Product Varieties

In addition to the recommended products, the following specifications can also be accommodated.

Total Resistance Variety

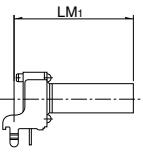
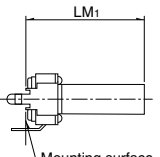
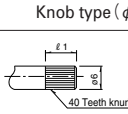
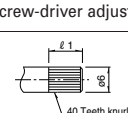
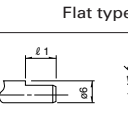
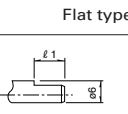
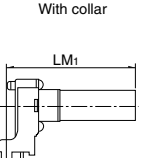
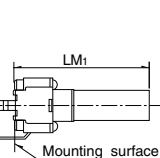
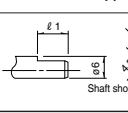
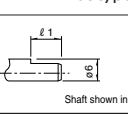
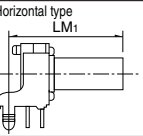
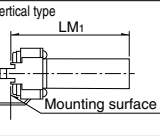
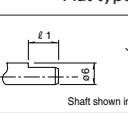
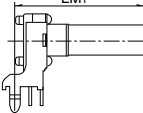
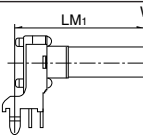
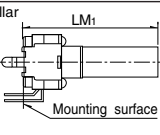
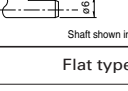
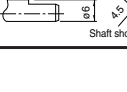
| | | | | | | |
|-----------------------|---|----|----|----|-----|-----|
| Total resistance (kΩ) | 5 | 10 | 20 | 50 | 100 | 200 |
|-----------------------|---|----|----|----|-----|-----|

Resistance Taper

| | | | | |
|------------------|-----|----|----|-----|
| Resistance taper | 15A | 1B | 3B | 15C |
|------------------|-----|----|----|-----|

Shaft Variety

Unit:mm

| Number of resistor elements | Style | Shaft type | | Shaft color | | | | | | | | | | |
|-----------------------------|--|--|--|-----------------|-----|----|----------------|----------------|----------------|----|----|----|----|-------|
| | | Knob variety | Detail dimensions | | | | | | | | | | | |
| Single-unit | Horizontal type  Vertical type  | Knob type (φ6) |  <table border="1"> <tr> <td>LM₁</td> <td>15</td> <td>20</td> <td>25</td> <td>30</td> </tr> <tr> <td>l₁</td> <td>6</td> <td>7</td> <td>7</td> <td>7</td> </tr> </table> | LM ₁ | 15 | 20 | 25 | 30 | l ₁ | 6 | 7 | 7 | 7 | Black |
| | | LM ₁ | 15 | 20 | 25 | 30 | | | | | | | | |
| | | l ₁ | 6 | 7 | 7 | 7 | | | | | | | | |
| | | Screw-driver adjustment type |  <table border="1"> <tr> <td>LM₁</td> <td>9.5</td> <td>15</td> <td>20</td> <td></td> </tr> <tr> <td>l₁</td> <td>—</td> <td>6</td> <td>7</td> <td></td> </tr> </table> | LM ₁ | 9.5 | 15 | 20 | | l ₁ | — | 6 | 7 | | |
| | LM ₁ | 9.5 | 15 | 20 | | | | | | | | | | |
| | l ₁ | — | 6 | 7 | | | | | | | | | | |
| | Flat type |  <table border="1"> <tr> <td>LM₁</td> <td>15</td> <td>20</td> <td>25</td> <td>30</td> </tr> <tr> <td>l₁</td> <td>6</td> <td>7</td> <td>12</td> <td>12</td> </tr> </table> | LM ₁ | 15 | 20 | 25 | 30 | l ₁ | 6 | 7 | 12 | 12 | | |
| | LM ₁ | 15 | 20 | 25 | 30 | | | | | | | | | |
| l ₁ | 6 | 7 | 12 | 12 | | | | | | | | | | |
| Flat type |  <table border="1"> <tr> <td>LM₁</td> <td>15</td> <td>20</td> <td>25</td> <td>30</td> </tr> <tr> <td>l₁</td> <td>6</td> <td>7</td> <td>12</td> <td>12</td> </tr> </table> | LM ₁ | 15 | 20 | 25 | 30 | l ₁ | 6 | 7 | 12 | 12 | | | |
| LM ₁ | 15 | 20 | 25 | 30 | | | | | | | | | | |
| l ₁ | 6 | 7 | 12 | 12 | | | | | | | | | | |
| With collar |   | Flat type |  <table border="1"> <tr> <td>LM₁</td> <td>20</td> <td>25</td> <td>30</td> <td></td> </tr> <tr> <td>l₁</td> <td>7</td> <td>12</td> <td>12</td> <td></td> </tr> </table> | LM ₁ | 20 | 25 | 30 | | l ₁ | 7 | 12 | 12 | | Black |
| | | LM ₁ | 20 | 25 | 30 | | | | | | | | | |
| | l ₁ | 7 | 12 | 12 | | | | | | | | | | |
| | Flat type |  <table border="1"> <tr> <td>LM₁</td> <td>20</td> <td>25</td> <td>30</td> <td></td> </tr> <tr> <td>l₁</td> <td>7</td> <td>12</td> <td>12</td> <td></td> </tr> </table> | LM ₁ | 20 | 25 | 30 | | l ₁ | 7 | 12 | 12 | | | |
| LM ₁ | 20 | 25 | 30 | | | | | | | | | | | |
| l ₁ | 7 | 12 | 12 | | | | | | | | | | | |
| Dual-unit | Horizontal type  Vertical type  | Flat type |  <table border="1"> <tr> <td>LM₁</td> <td>15</td> <td>20</td> <td>25</td> <td>30</td> </tr> <tr> <td>l₁</td> <td>6</td> <td>7</td> <td>12</td> <td>12</td> </tr> </table> | LM ₁ | 15 | 20 | 25 | 30 | l ₁ | 6 | 7 | 12 | 12 | Black |
| | | LM ₁ | 15 | 20 | 25 | 30 | | | | | | | | |
| | l ₁ | 6 | 7 | 12 | 12 | | | | | | | | | |
| | Flat type |  <table border="1"> <tr> <td>LM₁</td> <td>20</td> <td>25</td> <td>30</td> <td></td> </tr> <tr> <td>l₁</td> <td>7</td> <td>12</td> <td>12</td> <td></td> </tr> </table> | LM ₁ | 20 | 25 | 30 | | l ₁ | 7 | 12 | 12 | | | |
| LM ₁ | 20 | 25 | 30 | | | | | | | | | | | |
| l ₁ | 7 | 12 | 12 | | | | | | | | | | | |
| With collar |   | Flat type |  <table border="1"> <tr> <td>LM₁</td> <td>15</td> <td>20</td> <td>25</td> <td>30</td> </tr> <tr> <td>l₁</td> <td>6</td> <td>7</td> <td>12</td> <td>12</td> </tr> </table> | LM ₁ | 15 | 20 | 25 | 30 | l ₁ | 6 | 7 | 12 | 12 | |
| | | LM ₁ | 15 | 20 | 25 | 30 | | | | | | | | |
| l ₁ | 6 | 7 | 12 | 12 | | | | | | | | | | |
| Flat type |  <table border="1"> <tr> <td>LM₁</td> <td>20</td> <td>25</td> <td>30</td> <td></td> </tr> <tr> <td>l₁</td> <td>7</td> <td>12</td> <td>12</td> <td></td> </tr> </table> | LM ₁ | 20 | 25 | 30 | | l ₁ | 7 | 12 | 12 | | | | |
| LM ₁ | 20 | 25 | 30 | | | | | | | | | | | |
| l ₁ | 7 | 12 | 12 | | | | | | | | | | | |

Notes

1. marked are specifications recommended by ALPS.
2. RK09D117 is only for flat type of 20mm, 25mm, 30mm

Refer to P.389, 470 for resistance taper.

Orders Other Than Recommended Products

When ordering product varieties that are not listed in the Product Line, please specify by referring to the below example.

Sample Part Number



Model type

| Code | Model type |
|------|--|
| K111 | 280° single-unit horizontal type H=6.5 |
| K113 | 280° single-unit vertical type |
| D111 | 300° single-unit horizontal type H=10 |
| D113 | 300° single-unit vertical type |
| K12A | 280° dual-unit horizontal type H=6.5 |
| K12C | 280° dual-unit vertical type |

* All RK09D types are single-ganged.
 * For other horizontal type mount height requirements, please indicate separately.

Shaft type

| Code | Shaft type | Code | Shaft type |
|------|------------|------|------------|
| F | Flat | X | Driver |
| K | Knob | | |

* All RK09D types are only available in flat format.

Length of the shaft (LM₁) (mm)

| Code | Length of the shaft | Code | Length of the shaft |
|------|---------------------|------|---------------------|
| 15 | 15 | 25 | 25 |
| 20 | 20 | 30 | 30 |

* 20, 25 and 30 are the only available RK09D types.
 * 9.5, 15 and 20 are the only available models in the driver shape.

Detent

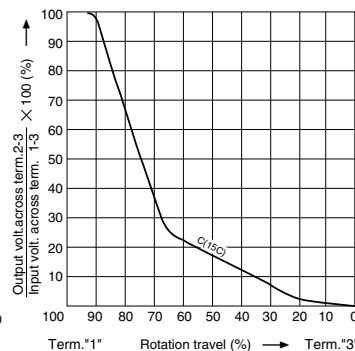
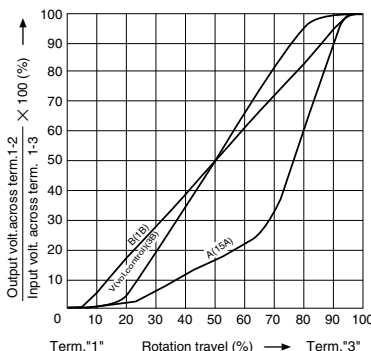
| Code | Center detent |
|------|---------------|
| C0 | Without |
| C1 | With |

Resistance taper

| Code | Resistance taper | Code | Resistance taper |
|------|------------------|------|------------------|
| A | 15A | C | 15C |
| B | 1B | V | 3B |

B: For tone & general
 V: For vol.

* 1B is a recommended specification for single-unit.
 * 3B is a recommended specification for dual-unit.



Total resistance

| Code | Total resistance (kΩ) | Code | Total resistance (kΩ) |
|------|-----------------------|------|-----------------------|
| 502 | 5 | 503 | 50 |
| 103 | 10 | 104 | 100 |
| 203 | 20 | 204 | 200 |

Notes

1. RK09D comes with a collar.
2. The recommended specification for RK09K does not include a collar. For collar requirements please indicate separately.
3. marked are specifications recommended by ALPS.

Rotary Potentiometers
 Slide Potentiometers

Metal Shaft

Insulated Shaft

Knob Operating

Ring Type Devices

List of Varieties

| Items | Type | 9mm Size Insulated Shaft Snap-in | | 11mm Size Insulated Shaft Snap-in | 12mm Size Insulated Shaft Snap-in | 14mm Size Insulated Shaft Snap-in | 9mm Size Insulated shaft Long-life | 12mm Size Insulated shaft Snap-in | |
|-----------------------------|------------------------------|----------------------------------|--|-----------------------------------|---|-----------------------------------|------------------------------------|-----------------------------------|--------|
| | Model | RK09K11□ RK09D11□ | RK09K12□ | RK11K11□ | RK12L12□ | RK14K12□ | RK09Y11L | RK12L115 | |
| | | Single-unit | Dual-unit | Single-unit | Dual-unit | | Single-unit | | |
| Photo | | | | | | | | | |
| Bushing | Without | | With/With out | Without | With/With out | Without | With | | |
| Operating temperature range | -10°C to +70°C | | | | | | | -40°C to +85°C | |
| Automotive use | | | | | | | | ○ | |
| Electrical performance | Total resistance tolerance | ±20% | ±30% | ±20% | | ±30% | ±20% | | |
| | Maximum operating voltage | 50V AC 20V DC | 50V AC For AC only | 50V AC 20V DC | 50V AC For AC only | | 50V AC 5V DC | 50V AC 20V DC | |
| | Insulation resistance | 100MΩ min. 250V DC | | 100MΩ min. 500V DC | 100MΩ min. 250V DC | | | | |
| | Voltage proof | 250V AC for 1minute | | 500V AC for 1minute | 300V AC for 1minute | | 250V AC for 1minute | 300V AC for 1minute | |
| | Gang error | — | -40dB to 0dB 3dB max. | — | Volume control -40dB to 0dB 3dB max. For tone control within 2dB at center | | — | | |
| Mechanical performance | Strength of the actuator | Stopper strength | 0.3N·m | | Without bushing 0.5N·m With bushing 0.6N·m | 0.5N·m | 0.6N·m | — | 0.5N·m |
| | | Push-pull strength | 50N max. | | 80N max. | | 30N max. | 80N max. | |
| | Vibration | | 10 to 55 to 10Hz/min., the amplitude is 1.5mm for all the frequencies, in the 3 direction of X, Y and Z and for 2 hours respectively | | | | | | |
| | Resistance to soldering heat | Manual soldering | 350°C max. 3s max. | | | | | | |
| Dip Soldering | | — | | 260°C max. 5s max. | — | | | | |
| Environmental performance | Cold | -30±2°C for 96h | | | | | -30±2°C for 240h | -40±3°C for 96h | |
| | Dry heat | 70±2°C for 96h | | | 70±2°C for 240h | 70±2°C for 96h | 70±2°C for 240h | 85±3°C for 96h | |
| | Damp heat | 40±2°C, 90 to 95% RH for 96h | | | | | 40±2°C, 90 to 95% RH for 240h | 40±2°C, 90 to 95% RH for 96h | |
| Page | 384 | | 390 | 394 | 397 | 401 | 402 | | |

● Insulated Shaft Potentiometers Cautions404, 405

Note

○marks in "Available for automotive use" indicate that some of the series products can work at the operating temperature range from -40°C to +85°C.

Rotary Potentiometers
Slide Potentiometers

Metal Shaft
Insulated Shaft
Knob Operating
Ring Type Devices