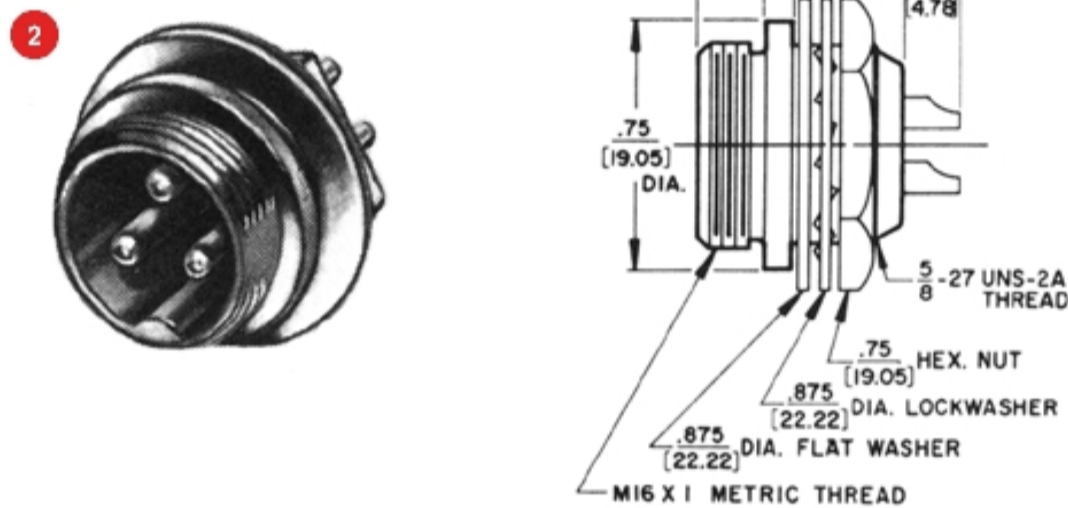
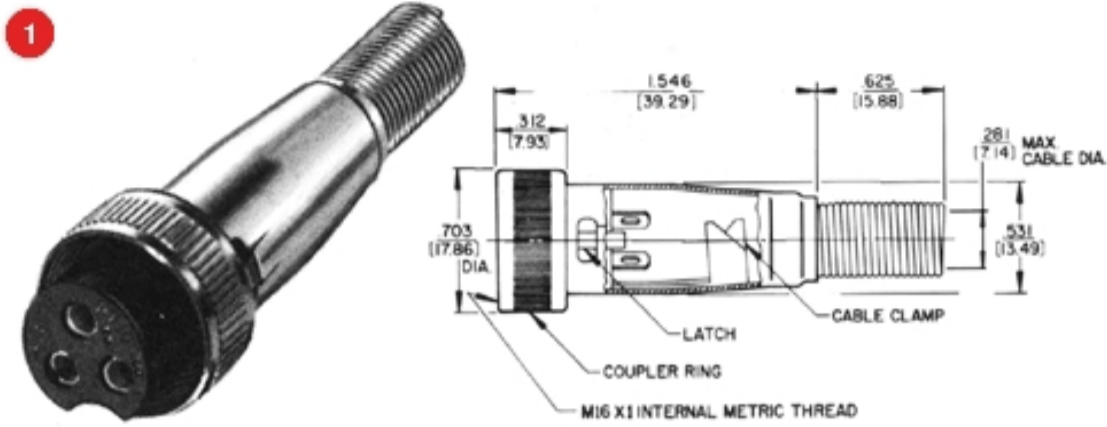


## CB STYLE CONNECTORS



1. CB-3F
2. CB-3M

Miniature 3 and 4 circuit connectors for microphone connections in mobile/communications equipment. Cord plug has silverplated copper alloy contacts, large cable clamp, and strain relief spring.

**CB-3F** 3-contact female cord plug. Knurled coupling ring has internal metric M16x1 thread. Solder lug terminals accept wires up to #18 AWG. Accommodates cables up to .281inch (7.14 mm) diameter.

**CB-4F** Same as CB-3F. except 4 contacts.

**CB-3M** 3-pin male receptacle. Housing keys insert of mating plug; bushing with external M16x1 metric thread mates with coupling ring on plug. C-type terminals accept wires up to #16 AWG. Mounts in .64 inch (16.26 mm) diameter hole from front of panels up to .125inch (3.18 mm) thick, using washer and locknut supplied. Can also be "D"hole mounted for nonturn mounting (see drawing). Pin diameter is .093 inch.

**CB-4M** Same as CB-3M, except 4 pin.

		Dimensions, In. (mm)	
Insert Part No.	Contacts	Length	Diameter
CB-3F	3	1.594 (40.49)	.703 (17.86)
CB-3M	3	.781 (19.84)	.705 (19.05)

To search a category please click on the corresponding button:

| [Connectors](#) | [Jacks and Plugs](#) |  
| [Patch Panels, Patch Kits & Jackfields](#) | [Cable Assemblies and Patch Cords](#) | [Switches](#) |

**All products shown are covered by Switchcraft's limited lifetime warranty.**