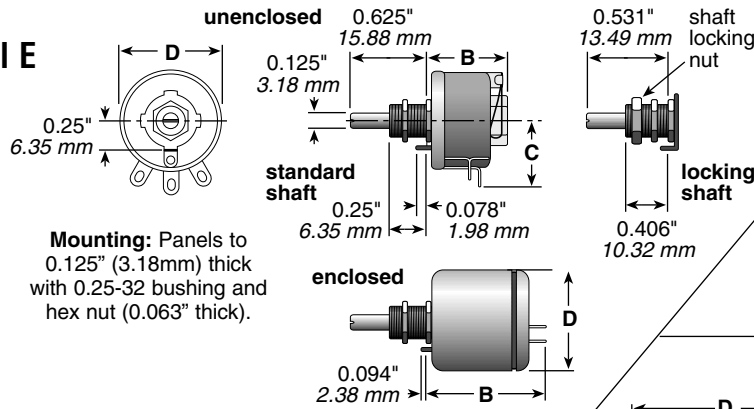


# Rheostats

## (Potentiometers) Wirewound

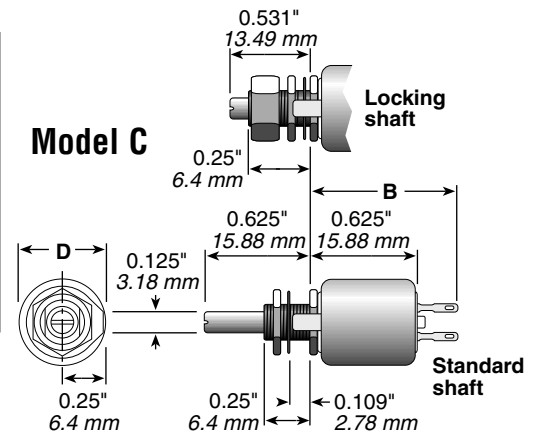


### Model E



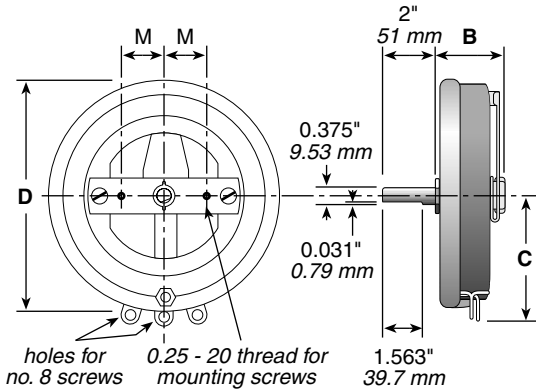
**Mounting:** Panels to 0.125" (3.18mm) thick with 0.25-32 bushing and hex nut (0.063" thick).

### Model C

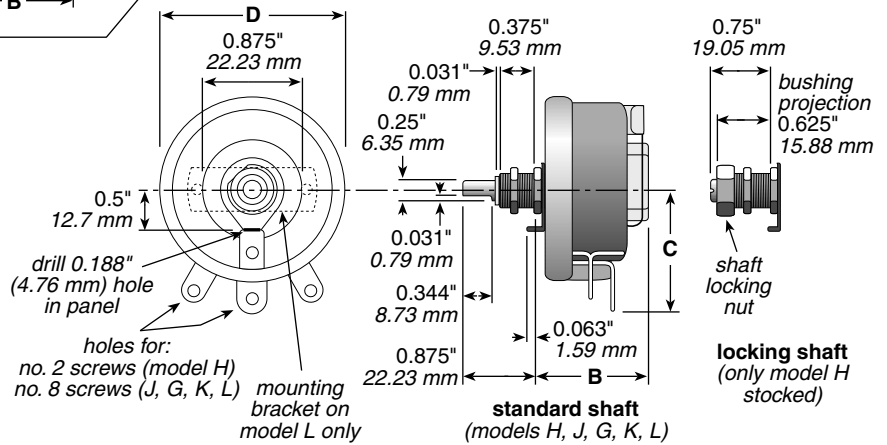


**Mounting:** Panels to 0.125" (3.18mm) thick with 0.25-32 bushing and hex nut (0.063" thick).

### Models P, N, R, U



	Dimension "M"	Mounting: Panels to 1.25" (31.75mm) thick with 0.25-20 flat-head screws.
P	0.875" 22.23 mm	
N	1.188" 30.16 mm	
R	1.5" 38.1 mm	
U	3" 76.2 mm	



**Mounting:** Panels to 0.25" (6.35mm) thick with 0.375-32 bushing and hex nut (0.094" thick) (or with 10-32 x 0.75 F.H. screws for model L only).

### ORDERING INFORMATION

Series Rheostats Wirewound Potentiometers

E = RoHS compliant

**R C S R 5 0 E**

Code	Watts	Model	Shaft	Core	Resistance Value*
CL	7.5	C	Locking	Enclosed	R50 = 0.50Ω
CS	7.5	C	Standard	Enclosed	1R0 = 1Ω
EE	12.5	E	Standard	Enclosed	7R5 = 7.5Ω
EL	12.5	E	Locking	Open	250 = 250Ω
ES	12.5	E	Standard	Open	1K0 = 1,000Ω
GS	75	G	Standard	Open	1K75 = 1,750Ω
HL	25	H	Locking	Open	4K5 = 4,500Ω
HS	25	H	Standard	Open	50K = 50,000Ω
JS	50	J	Standard	Open	
KS	100	K	Standard	Open	
LS	150	L	Standard	Open	
NS	300	N	Standard	Open	
PS	225	P	Standard	Open	
RS	500	R	Standard	Open	
US	1000	U	Standard	Open	

\*Check Table for Standard Resistance Values and Maximum Current Values

Dimensions for reference only; consult factory for details.

Since all rheostats/potentiometers are electro-mechanical devices, they are subject to mechanical wear and, therefore, have a finite life.

See page 78 for knobs, dials, and other hardware

Model	Type	Watts	Ohmic range	Core	Voltage (RMS)	Behind panel "B" (In./mm)	Diameter "D" (In./mm)	Dimension "C" (In./mm)	Shaft torque	Rotation (±5°)
E	RES/REL	12.5	1.0-15K	open	305	0.688/17.46	0.875/ 22.23	0.594/15.08	1-6 oz. in.	300°
H	RHS/RHL	25	1.0-25K	open	500	1.375/34.93	1.560/ 39.62	0.940/23.88	0.25-0.5 lb. in.	300°
J	RJS	50	0.5-50K	open	750	1.375/34.93	2.31 / 58.67	1.56 /39.62	0.25-2 lb. in.	300°
G	RGS	75	0.5-50K	open	900	1.750/44.45	2.75 / 69.25	1.78 /45.21	0.5-2 lb. in.	300°
K	RKS	100	0.5-50K	open	1000	1.750/44.45	3.125/ 79.38	1.91 /48.51	0.5-2 lb. in.	300°
L	RLS	150	0.5-50K	open	1200	2.000 / 50.8	4.00 /101.60	2.28 /57.91	0.5-3 lb. in.	300°
P	RPS	225	1.0-30K	open	1300	2.125/53.98	5.00 /127.00	2.97 /75.44	2.5-4 lb. in.	310°
N	RNS	300	1.0-50K	open	1225	2.375/60.33	6.00 /152.40	3.44 /87.38	2.5-5 lb. in.	320°
R	RRS	500	1.0-20K	open	1450	2.125/53.98	8.00 /203.20	4.31/109.47	4.5-7 lb. in.	325°
U	RUS	1000	1.0-20K	open	1600	3.000 / 76.2	12.00 /304.80	6.38/162.05	3.5-7 lb. in.	335°
C	RCS/RCL	7.5	10.0-5K	enclosed	305	0.875/22.23	0.515/ 13.08	—	0.25-3 oz. in.	300°
E	REE	12.5	1.0-15K	enclosed	305	1.219/30.96	1.047/ 26.59	—	1-6 oz. in.	300°

• Models H, J, G, and K also available in enclosed versions. • RoHS compliant product available Jan. 2006 Add "E" suffix to part number to specify.  
• See Catalog #203 for complete details. • Made-to-order rheostats available: Contact nearest Ohmite sales office.

