

SPECIFICATIONS

Electrical Ratings	50mA @ 48VDC
Electrical Life	100,000 cycles typical
Contact Resistance	< 50 mΩ initial
Actuation Force	160 +/- 50gF
Actuator Travel	.25 +/- .1mm
Dielectric Strength	500Vrms min
Insulation Resistance	> 100MΩ min
Operating Temperature	-40°C to 85°C
Storage Temperature	-40°C to 85°C



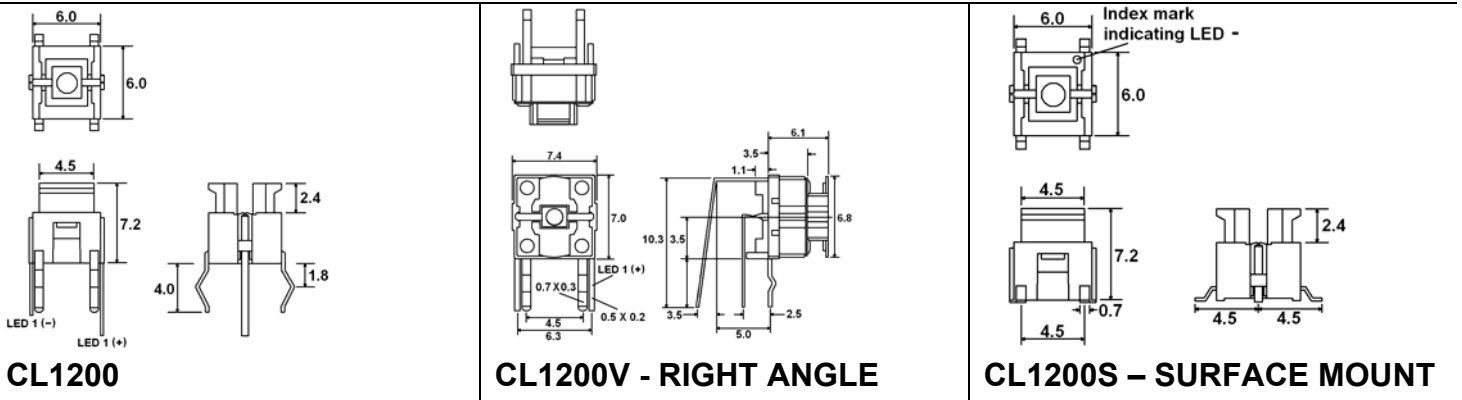
MATERIALS ←RoHS COMPLIANT

Actuator	6/6 Nylon (Through Hole); 9T Nylon (SMD)
Housing	6/6 Nylon (Through Hole); 6T Nylon (SMD)
Cap	6/6 Nylon (Through Hole); 6/6 Nylon 33% GF(SMD)
Frame	6/6 Nylon (Through Hole); 6/6 Nylon 33% GF(SMD)
Contacts	Stainless Steel, Silver Plated
Terminals	Brass, Silver Plated

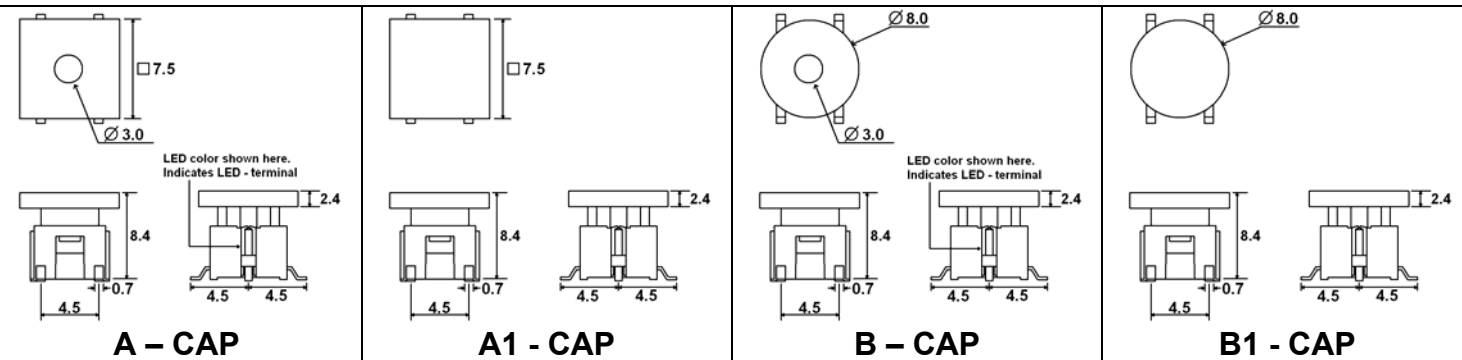
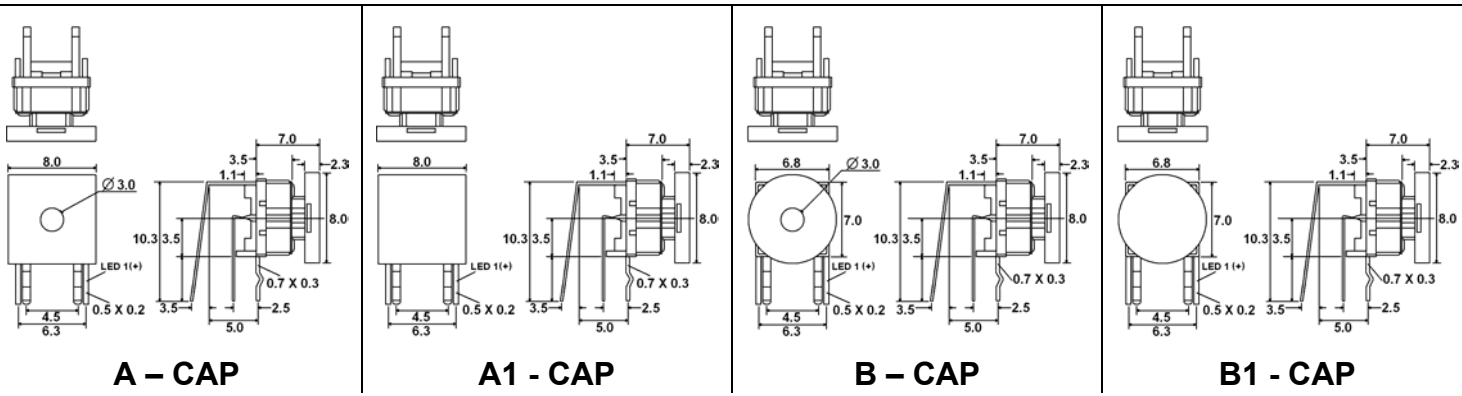
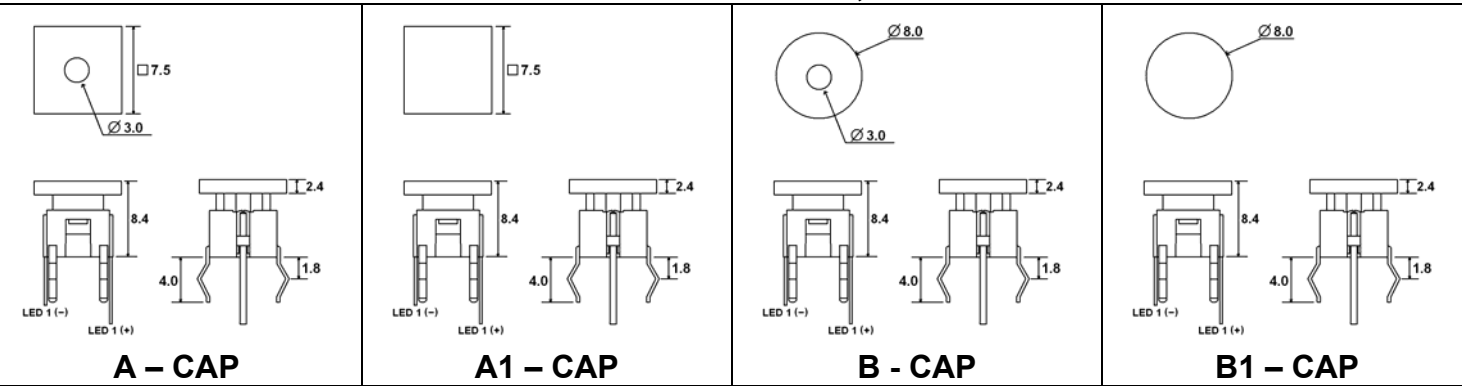
ORDERING INFORMATION

1. Series: CL1200 CL1200V (Right angle) CL1200S (Surface Mount)	CL1200	A	2	2	R	G
2. Cap Style: Blank = No Cap A = Square Cap A1 = Square Cap without LED hole B = Round Cap B1 = Round Cap without LED hole						
3. Frame Color: **Frame not available with CL1200V C = No Frame 2 = Black 9 = Gray						
4. Cap Color: Blank = No Cap 2 = Black 3 = Red 4 = Yellow 5 = Green 9 = Gray						
5. First LED Color: N = No LED R = Red G = Green Y = Yellow B = Blue W = White O = Orange	**Super Bright LEDs Not Available in Bi-color RS = Super Bright Red GS = Super Bright Green YS = Super Bright Yellow					
					6. Second LED Color: **For Bi-color LED Option Blank = No Second LED R = Red G = Green Y = Yellow B = Blue **White & Orange not available in bi-color	

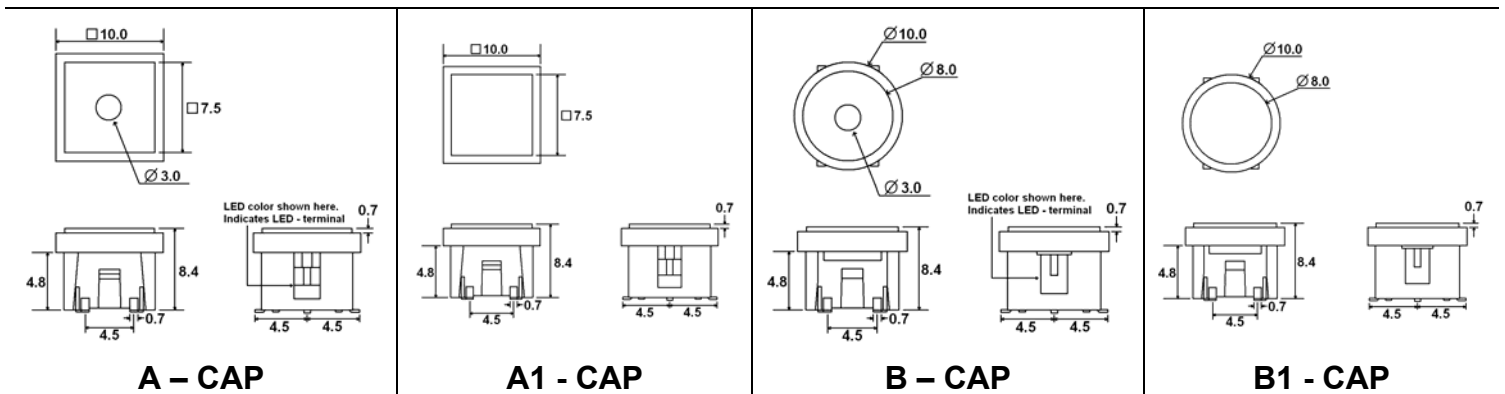
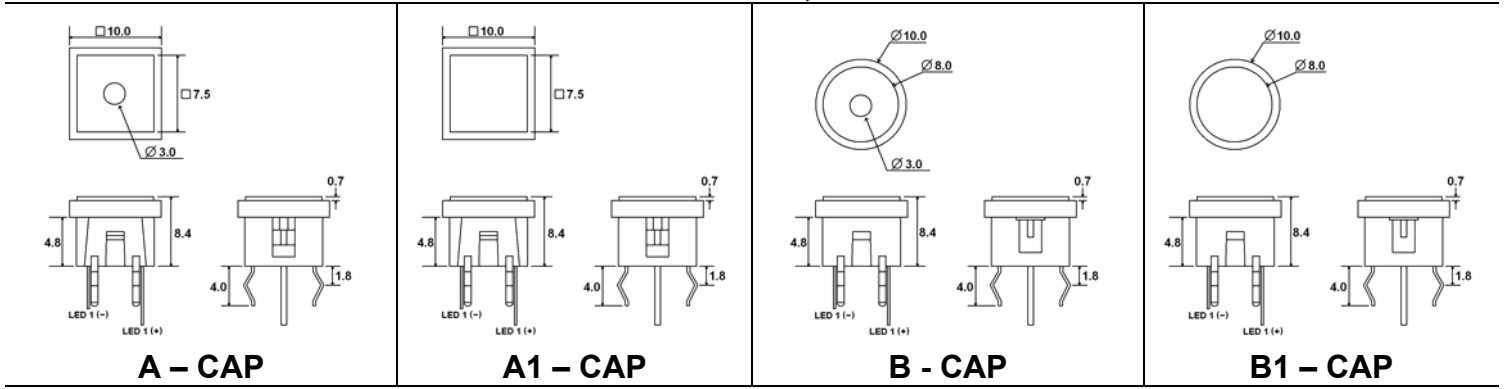
DIMENSIONS – NO FRAME & NO CAP



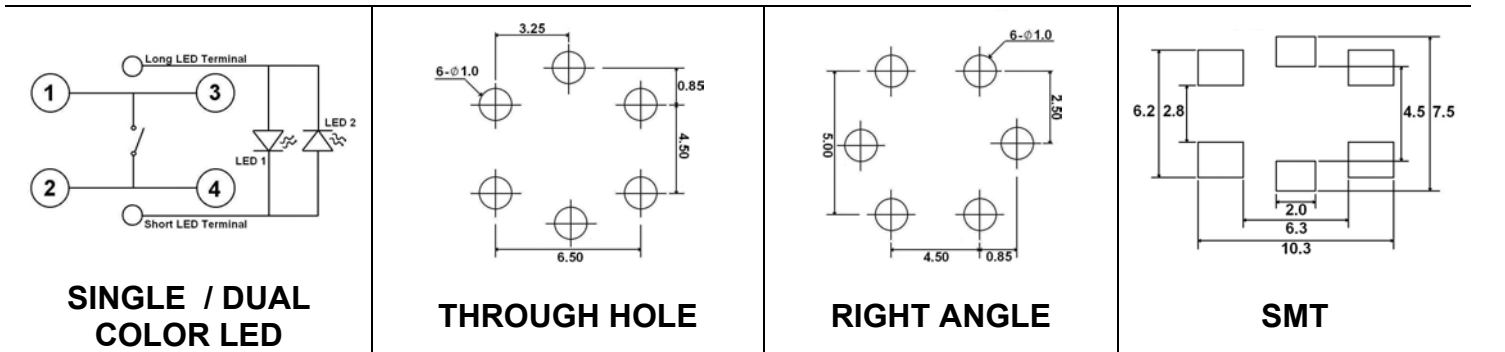
DIMENSIONS – CAP OPTIONS WITH NO FRAME, BY TERMINATION STYLE



DIMENSIONS – CAP OPTIONS WITH FRAME, BY TERMINATION STYLE



SCHEMATICS & PC LAYOUTS



LED SPECIFICATIONS

LED Ratings		Value										Units
		R	G	Y	B	W	O	RS	GS	YS		
Reverse Voltage	V_R	5	5	5	5	5	5	5	5	5	V	
Forward Current (avg)	I_F	30	30	30	30	30	30	30	30	30	mA	
Forward Current (peak)	I_{FS}	125	125	125	125	125	125	125	125	125	mA	
Reverse Current $V_R = 5V$	I_R	10	10	10	10	10	10	10	10	10	μA	
Power Dissipation	P_T	69	81	78	120	120	75	75	75	75	mW	
Operating & Storage Temperature	T_A	-40~ +85										$^{\circ}C$
Forward Voltage (typ.), $I_F = 20mA$	V_F	1.8	2.2	2.1	3.5	3.5	2.0	2.0	2.0	2.0	V	
Forward Voltage (max.), $I_F = 20mA$	V_F	2.3	2.7	2.6	4.0	4.0	2.5	2.5	2.5	2.5	V	
Wavelength at Peak Emmission, $I_F = 20mA$	λ_p	660	565	585	460	N/A	610	630	572	590	nm	
Spectral Line Half-Width, $I_F = 20mA$	$\Delta\lambda$	24	32	37	40	N/A	35	20	20	20	nm	
Luminous Intensity, $I_F = 20mA$	LI	130	65	45	200	60	50	1120	525	1550	mcd	
Viewing Angle	Θ	20	20	20	20	165	20	20	20	20	Deg	