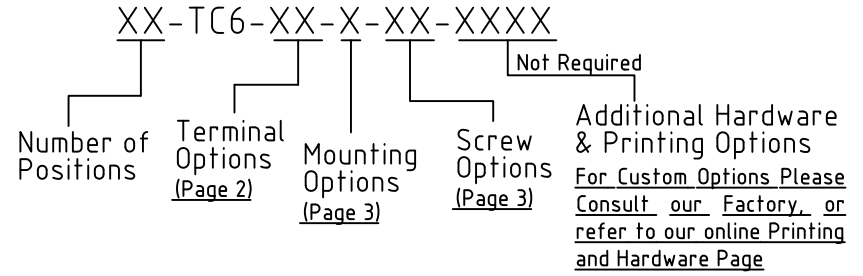


Material:	
Contact Solder Pin:	Brass, Tin Plated
Insulating Body:	Polycarbonate, UL94V-0, Black
Terminal Screw:	#6-32, Combo Head, Steel Zinc Plated
Electrical	
Voltage Rating:	300 VAC
Current rating:	20 AMPS
Withstand Voltage:	1500 VAC, Test time 60 seconds
Wire Range:	12-24 AWG
Mechanical	
Torque:	10 Lbs-in. Max.
Operating Temperature:	-40°C to +105°C -40°F to +221°F
Soldering Temperature:	260°C, 500°F for 5 seconds max.
Safety Approval:	UL US

Part Number Configuration.  
For More Details, go to next page(s)



Max Number of Positions = 30

UNLESS OTHERWISE SPECIFIED BREAK ALL SHARP EDGES AND DEBURR ALL HOLES

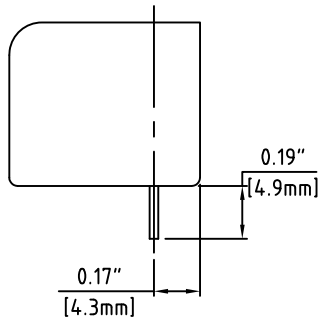
TITLE: 0.375" SPACING, BARRIER BLOCK

LIMITS: UNLESS OTHERWISE SPECIFIED HUND. ±.02 THOU. ±.005	FRACT. ±1/64 ANGLE ±1°	SCALE	THIS IS A CONFIDENTIAL DRAWING AND MUST BE TREATED AS SUCH. NO DISTRIBUTION IS ALLOWED WITHOUT WRITTEN APPROVAL BY EBYP ELECTRO INC.	Electro Inc. PLAINVIEW, NY 11803
---	---------------------------	-------	--	-------------------------------------

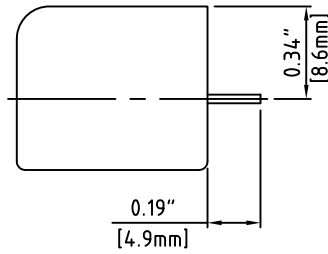
IMPORTANT DISCLAIMER: All information provided on this print is for reference. Always perform your own tests and acquire samples and further information to determine product suitability. While we make effort to provide accurate information, we cannot be responsible for errors either of omission or typographical. EBYP Electro, Inc. assumes no responsibility for the use or suitability of any product. All products and specifications are subject to change without prior written notice.

METRIC LIMITS ONE PLACE ±0.3 TWO PLACES ±0.10 ANGLE ±1°	DRAWN: JM CHECKED: _____ APPROVED: _____	DATE: 10/26/10 DATE: _____ DATE: _____	SIZE: A	DRAWING NUMBER: TC6-0001	REV.
--	--	--	---------	--------------------------	------

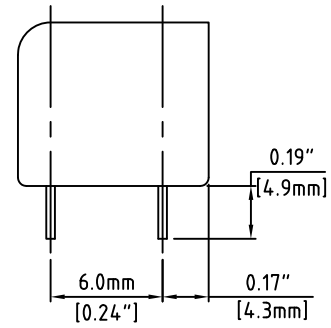
PC - Standard PC



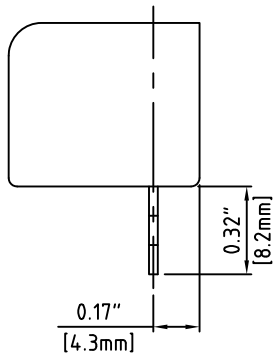
RA - Right Angle



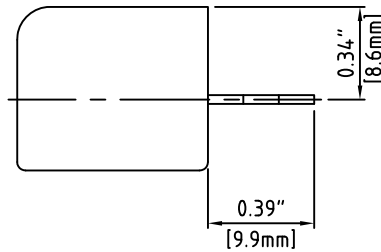
DL - Dual PC Legs



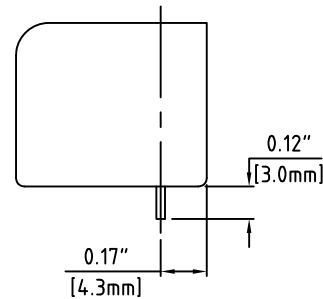
SV - Solder Turret



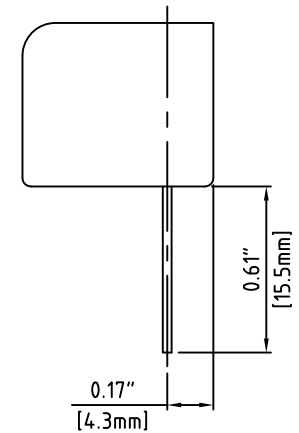
SR - Right Angle



SS - Short PC



WW - Wire Wrap



Terminal Options

UNLESS OTHERWISE SPECIFIED BREAK ALL SHARP EDGES AND DEBURR ALL HOLES

TITLE: Part Number Configuration for TC6 Series

LIMITS: UNLESS OTHERWISE SPECIFIED  
 HUND. ± 0.2 FRACT. ± 1/64  
 THOU. ± 0.05 ANGLE ± 1°

SCALE THIS IS A CONFIDENTIAL DRAWING AND MUST BE TREATED AS SUCH. NO DISTRIBUTION IS ALLOWED WITHOUT WRITTEN APPROVAL BY EBYP ELECTRO INC.



IMPORTANT DISCLAIMER: All information provided on this print is for reference. Always perform your own tests and acquire samples and further information to determine product suitability. While we make effort to provide accurate information, we cannot be responsible for errors either of omission or typographical. EBYP Electro, Inc. assumes no responsibility for the use or suitability of any product. All products and specifications are subject to change without prior written notice.

METRIC LIMITS  
 ONE PLACE ± 0.3  
 TWO PLACES ± 0.10  
 ANGLE ± 1°

DRAWN JM DATE 10/26/10  
 CHECKED DATE  
 APPROVED DATE

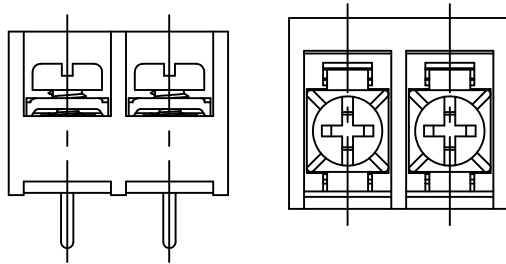
SIZE A

DRAWING NUMBER: TC6-0002

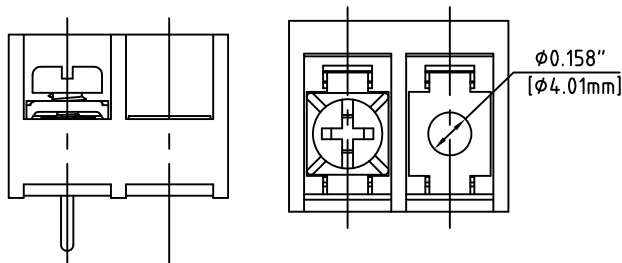
REV.

### Mounting Options

N - No Mounting



W -  $\phi 0.158$  Mounting Hole



### Available Screw Options

- 00 - No Screws
- 01 - Steel, Zinc Plated,
- 02 - steel, Zinc plated, w/ Washer
- 03 - Brass, Nickel Plated
- 04 - Brass, Nickel Plated, w/ Washer
- 05 - Stainless Steel, Phillips Head
- 11 - Steel, Zinc Plated, Captive
- 12 - Steel, Zinc Plated, Captive, w/ Washer
- 13 - Brass, Nickel Plated, Captive
- 14 - Brass, Nickel Plated, Captive, w/ Washer
- 21 - Steel, Zinc Plated, Captive, Wire Ready
- 22 - Steel, Zinc Plated, Captive, Wire Ready, w/ Washer
- 23 - Brass, Nickel Plated, Captive, Wire Ready
- 24 - Brass, Nickel Plated, Captive, Wire Ready, w/ Washer
- 46 - Steel, Zinc Plated, Thread Interrupt, Wire Ready, w/ Washer

UNLESS OTHERWISE SPECIFIED BREAK ALL SHARP EDGES AND DEBURR ALL HOLES

TITLE:  
Part Number Configuration for TC6 Series

LIMITS: UNLESS OTHERWISE SPECIFIED  
HUND.  $\pm 0.02$  FRACT.  $\pm 1/64$   
THOU.  $\pm 0.005$  ANGLE  $\pm 1^\circ$

SCALE

THIS IS A CONFIDENTIAL DRAWING AND MUST BE TREATED AS SUCH. NO DISTRIBUTION IS ALLOWED WITHOUT WRITTEN APPROVAL BY EBY ELECTRO INC.



IMPORTANT DISCLAIMER: All information provided on this print is for reference. Always perform your own tests and acquire samples and further information to determine product suitability. While we make effort to provide accurate information, we cannot be responsible for errors either of omission or typographical. EB Y Electro, Inc. assumes no responsibility for the use or suitability of any product. All products and specifications are subject to change without prior written notice.

METRIC LIMITS  
ONE PLACE  $\pm 0.3$   
TWO PLACES  $\pm 0.10$   
ANGLE  $\pm 1^\circ$

DRAWN JM DATE 10/26/10  
CHECKED \_\_\_\_\_ DATE \_\_\_\_\_  
APPROVED \_\_\_\_\_ DATE \_\_\_\_\_

SIZE  
A

DRAWING NUMBER:  
TC6-0003

REV.