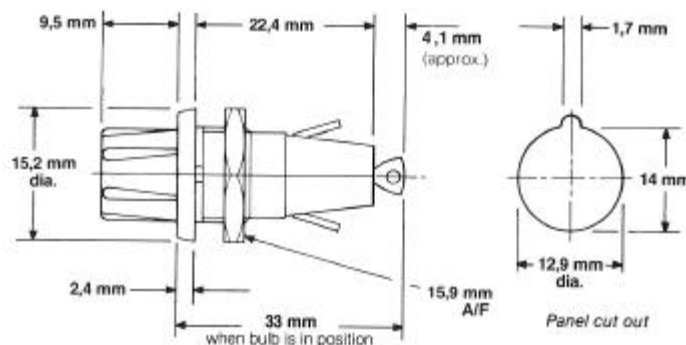


L1896A LOW VOLTAGE LAMPHOLDER

This miniature indicator lampholder matches the styling of 1596B & E6011B fuseholders and L1897 Neon light. A locating spigot on the underside of the rim prevents rotation.
The bulb is easily removed from the front of the panel after removing the lens.
The lens is available in 4 colours.
This lampholder accommodates either a 5mm tubular L.E.S. lamp (cap E5/8 or a 6mm tubular midget flange lamp) (S658 mounting rings for both lamps are included)

POWER RATING:	<1W (temperature rise <40°C)
INSULATION RESISTANCE:	>100 megohms
TEMPERATURE RANGE:	-40°C to +60°C (ambient)
OPERATING VOLTAGE:	50V a.c.
VOLTAGE PROOF TEST:	2 kVa.c.
PANEL THICKNESS (MAX):	3.6mm
FIXING TORQUE:	0.68 Nm
LENS COLOURS:	Amber, clear, green or red
LAMP STYLE:	T1 ½ or T1 ¾
MATERIALS	Body moulding, Phenolic Lens, Polycarbonate Contacts, silver plated
WEIGHT:	4.7g

ORDERING REFERENCE: L186A/COLOUR

Dialight BLP reserve the right to change without prior notice the information contained within this leaflet

Dialight BLP Ltd., Exning Road, Newmarket, Suffolk, CB8 0AX, England
Tel: +44 (0)1638 665161 Fax: +44 (0)1638 660718 email: sales@blpcomp.com <http://www.blpcomp.com>