

# 593002B03400G

TO-220, TO-220-single gauge (0.020")



Channel style heat sink features twisted fins and solderable tabs

This non-electronic component is functionally unaffected by the normal soldering or reflow processes used for semiconductor circuits. The heat resistance time or heat resistance temperature is not applicable for the component.

**Height:** 29.97

**Mount Orientation:** Vertical

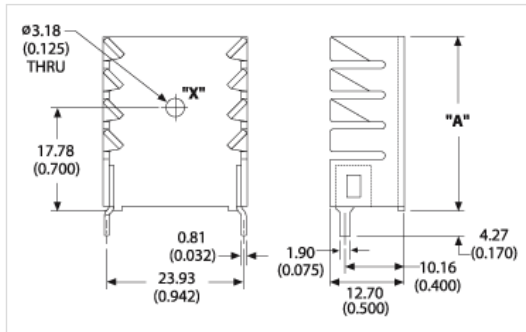
**Finish:** Black Anodize

**RoHS:** compliant

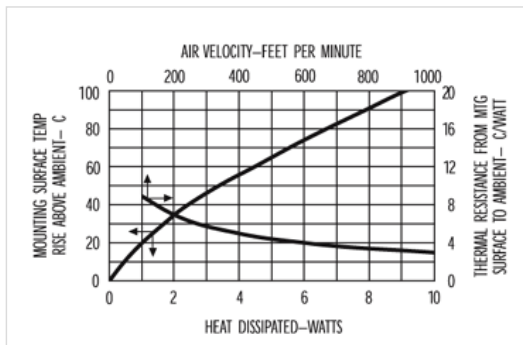
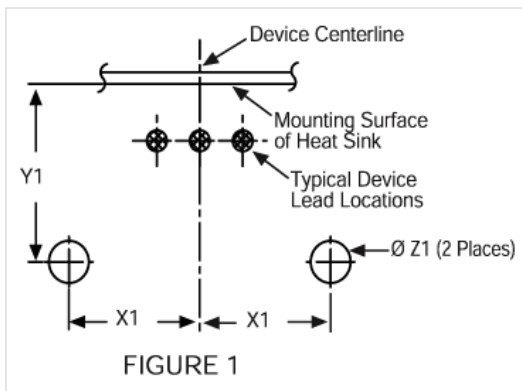
**Thermal Resistance:** 13.40

**Additional Drawing Dimensions:**

A Dim: 29.97



X Dim: 11.18 (0.440) | Y Dim: 8.26 (0.325) | Z Dim: 2.39 (0.094)



Solderable Staked On Tabs