

Power Wirewound Resistors
Axial, fiber glass core
Flame retardant coating



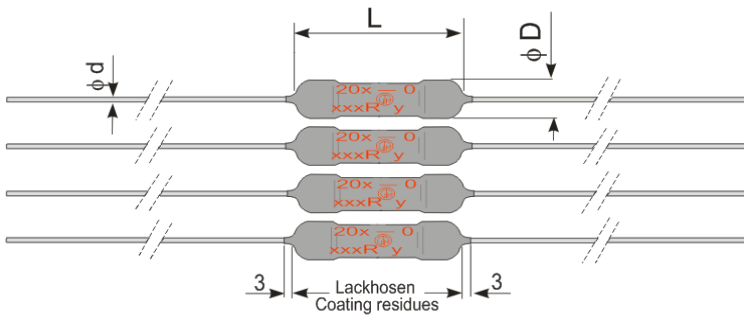
ELECTRICAL SPECIFICATIONS

Type		200-0	202-0	204-0
<u>Nominal Power rating</u> P_{70}	[W]	1	2	3
<u>Resistance range</u>	[Ω] Min Max	*Please check the table below		
<u>E-Series</u>		E24 (5[%]), E12 (10[%])		
<u>Tolerances</u>	\pm [%]	5, 10		
<u>Temperature coefficient</u>	[$10^{-6} \cdot K^{-1}$]	*Depends on the value, please check the table below		
<u>Temperature range</u>	[$^{\circ}C$]	-55 ... +350		
<u>Thermal resistance</u>	[KW^{-1}]	200	125	125
<u>Dielectric withstanding voltage</u> <i>IEC115-1 clause 4.7 (1[<i>min</i>])</i>	[V]	75		
<u>Max. working voltage</u>	[V] _{RMS}	$\sqrt{P_{70} \cdot R}$		

PERFORMANCE DATA

<u>Derating linear</u>	[$^{\circ}C$]	70...350 (0W)
<u>Climatic category</u>		55/200/56
<u>Failure Rate</u> <i>(Total, ϑ_{θ}, max, 60% cont. lev.)</i>	[$10^{-9} h^{-1}$]	appr. 100 depends on value
<u>Endurance</u> <i>IEC60115-1 clause 4.25 (P_{70}, @ 70[$^{\circ}C$], 1000[h])</i>	\pm [%]	3,0
<u>Damp heat, steady state</u> <i>IEC115-1 clause 4.24 (40[$^{\circ}C$], 93[% r.h.], 56[d])</i>	\pm [%]	2,0
<u>Climatic sequence</u> <i>IEC115-1 clause 4.23</i>	\pm [%]	2,0
<u>Terminal strength</u>	\pm [%]	1,0
<u>Terminal Tensile Strength</u>	[N]	50
<u>Resistance to soldering heat</u> <i>IEC115-1 clause 4.18 (260[$^{\circ}C$], 10⁻¹[s])</i>	\pm [%]	\pm 0,2
<u>Solderability</u> <i>IEC 60068-2-20-T (245[$^{\circ}C$], 3^{±0.5}[s])</i>		Solder bath method (> 95% coverage)
<u>Marking</u>		Printed in clear

DIMENSIONS [mm]



Type	L +2/-1	Ø D ±0,5	Ø d ±0,02
KC200-0	16	4,5	0,8
KC202-0	24		
KC204-0	32		

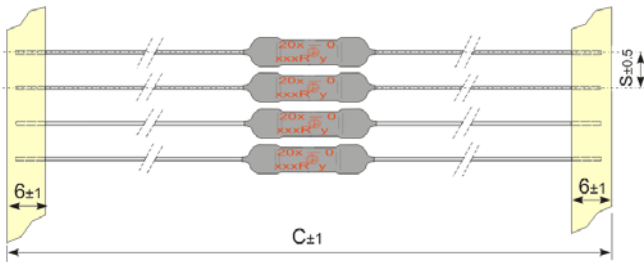
ELECTRICAL PERFORMANCE

Resistance range [minimum]		
Type	±10%	±5%
KC200	0R056	0R1
KC202	0R075	0R1
KC204	0R33	0R33

Temperature coefficient [ppm K ⁻¹]			
Type	TC +400 ±50	TC 0 ±40	TC 0 ±10
KC200	0R056...0R2	0R22...300R	330R...9K1
KC202	0R075...0R3	0R33...470R	510R...20K
KC204	0R33...0R68	0R75...910R	1K...30K

PACKAGING

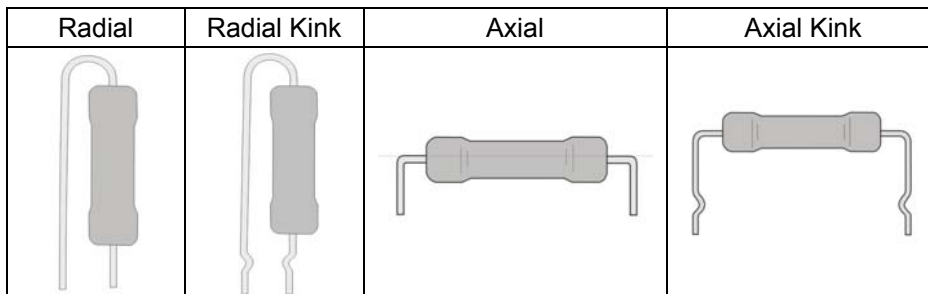
The standard packaging for KC in axial type is taped, dimensions below.



Type	Packaging	Pieces	Pack. Code	C	S
KC200-0	Taped Ammopack	1000	T	85	5
KC202-0		1000		85	5
KC204-0		1000		85	5

ALTERNATIVE LEAD CONFIGURATIONS

This type KC, is also available in a different pre-forming, as shown below, other's upon request.



*For horizontal and vertical pre-forming please consult your local sales contact.

ORDERING EXAMPLE

KC200-0	10	B	100R
Type	Tolerance	Pack-Code	R-Value