

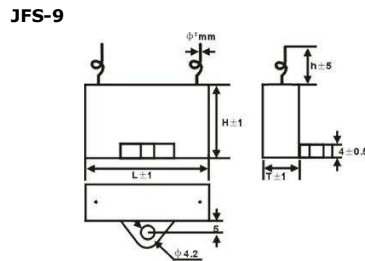
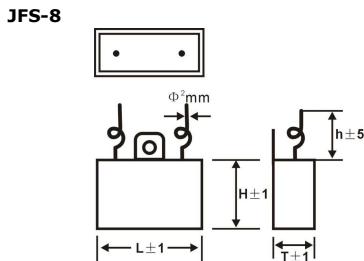
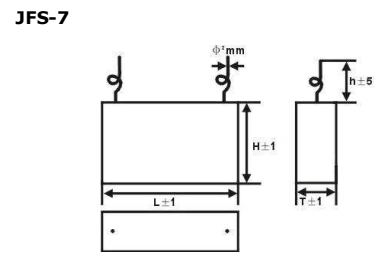
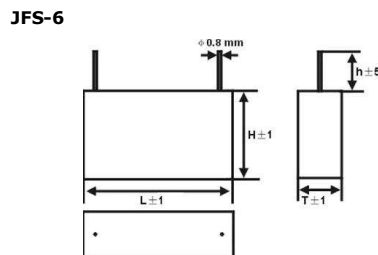
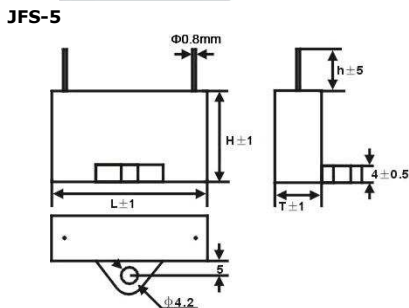
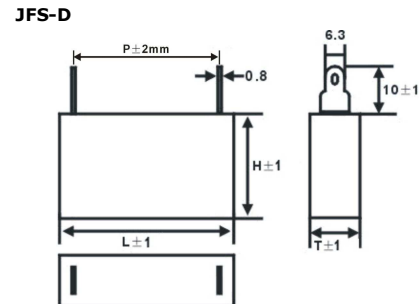
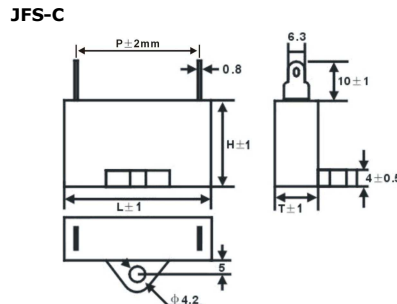
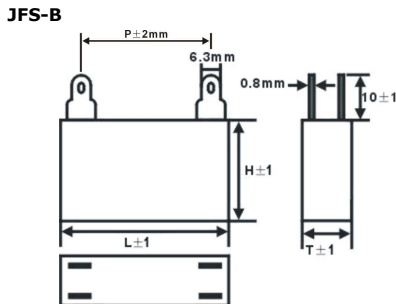
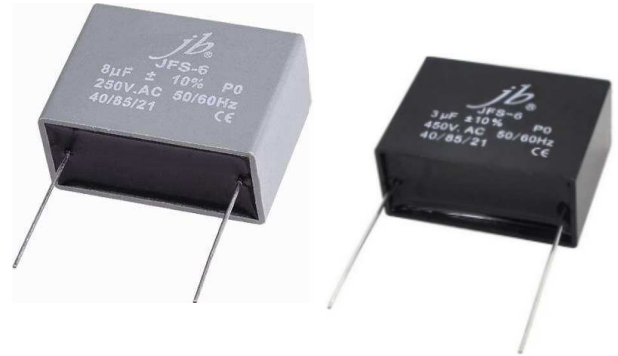
Motor Capacitor – JFS

FEATURES

- Ø Electrical apparatus use metalized film with precisely quality control
- Ø Low D.F. (dissipation factor), lower temperature rise.
- Ø High I.R. (insulation resistance) small size
- Ø High safety & high reliability
- Ø Durability and characteristics of frequency, etc

SPECIFICATIONS

Operating Condition	-40°C ~ +85°C
Capacitance Range	1uF ~ 20uF(JFS-B~D, JFS-5~7, JFS-9)
Capacitance Tolerance	J(±5%)、K(±10%)
Rated Voltage	250V 450V (AC)
Withstand Voltage	AC≥ 2U _R 2S(I _{max} ≤ 1.3 InA)
Dissipation Factor	≤ 0.003 1KHz(JFS-A~D, JFS-5~7, JFS-9)
Insulation Resistance	≥ 3000S



Remark:

- (a) For JFS-C, JFS-5, JFS-7, JFS-9 we will offer black color.
- (b) For JFS-7, JFS-8, JFS-9 Two wires leads maybe will not in center position, different wire position does not make any change in capacitors installation and electrical performance.

Motor Capacitor – JFS

FEATURES

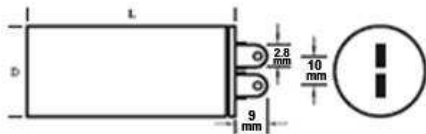
- Ø jb CBB60 plastic case cylindrical JFS-10~21 capacitors with UL and cUL approvals.
- Ø Low D.F. (dissipation factor), good self-healing character
- Ø High I.R. (insulation resistance)
- Ø High safety & High reliability
- Ø Anti-Striking current, strong over-carrier capacity

SPECIFICATIONS

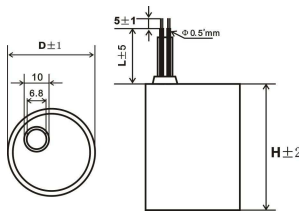
Operating Condition	-40°C ~ +85°C
Capacitance Range	1uF ~ 100uF(JFS-10~21)
Capacitance Tolerance	J(±5%)、K(±10%)
Rated Voltage	250V 450V (AC)
Withstand Voltage	AC≥ 2U _R 2S(I _{max} ≤ 1.3 I _n A)
Dissipation Factor	≤ 0.004 1KHz(JFS-10~21)
Insulation Resistance	≥ 3000S



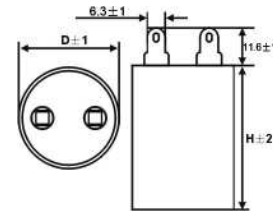
JFS-10



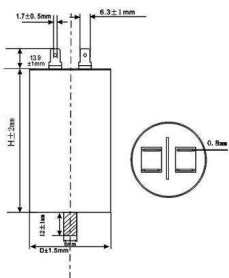
JFS-11



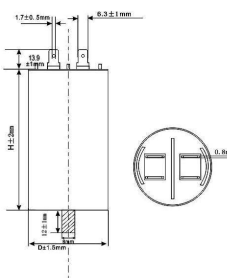
JFS-12



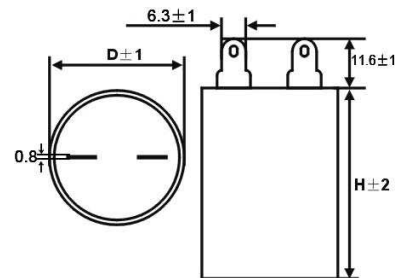
JFS-13 (only for D:30mm)



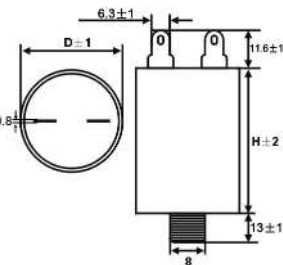
JFS-13



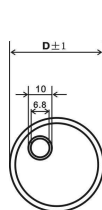
JFS-14



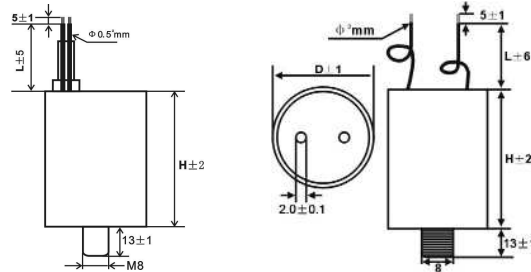
JFS-15



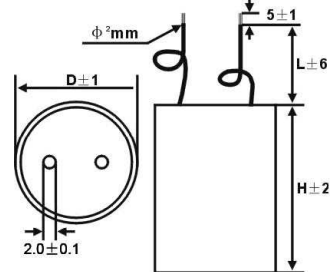
JFS-16



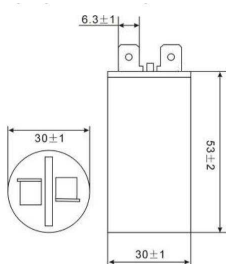
JFS-17



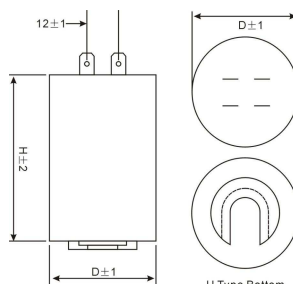
JFS-18



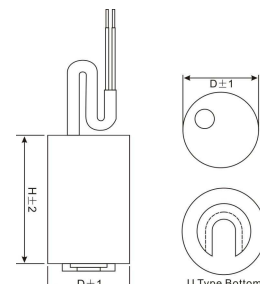
JFS-19 (only for D:30mm)



JFS-20



JFS-21



Motor Capacitor – JFS

Dimensions For Motor Running Capacitors CBB61

(mm)

CAP	JFS-C,JFS-5,JFS-9						JFS-B,JFS-D,JFS-6,JFS-7					
	250VAC			450VAC			250VAC			450VAC		
uF	L	T	H	L	T	H	L	T	H	L	T	H
0.5	26.5	12.5	21	26.5	12.5	21	26.5	12	20	25.5	12	20
1	26.5	12.5	21	32	14	24	26.5	12	20	32	14	25
2	32	14	24	37	17	28	32	14	25	37	17	28
2.5	32	14	24	37	17	28	32	14	25	37	17	28
3	32	14	24	38	20	30	32	14	25	38	20	30
5	37	17	28	47	20	34	37	17	28	47	20	34
6	37	17	28	47	23	34	37	17	28	47	23	34
8	47	17.5	33	47	28	34	47	18	32	47	28	34
10	47	17.5	33	47	32	40	47	18	32	47	30	40
12	47	23	34	47	32	43	47	23	34	--	--	--
15	47	25	34	--	--	--	47	25	34	--	--	--
20	47	28	37	--	--	--	47	28	37	--	--	--

Dimensions For Motor Running Capacitors CBB60

(mm)

CAP	JFS-11				JFS-12				JFS-13				JFS-14			
	250VAC		450VAC		250VAC		450VAC		250VAC		450VAC		250VAC		450VAC	
uF	D	H	D	H	D	H	D	H	D	H	D	H	D	H	D	H
1	30	53	30	53	30	50	30	50	30	57	30	57	30	50	30	50
1.5	30	53	30	53	30	50	30	50	30	57	30	57	30	50	30	50
2	30	53	30	53	30	50	30	50	30	57	30	57	30	50	30	50
2.5	30	53	30	53	30	50	30	50	30	57	30	57	30	50	30	50
3	30	53	30	53	30	50	30	50	30	57	30	57	30	50	30	50
3.5	--	--	--	--	--	--	--	--	30	57	30	57	--	--	--	--
4	30	53	30	53	30	50	30	50	30	57	30	57	30	50	30	50
4.5	--	--	--	--	--	--	--	--	30	57	30	57	--	--	--	--
5	30	53	30	63	30	50	30	60	30	57	35	65	30	50	30	60
6	30	53	30	63	30	50	30	60	30	57	35	65	30	50	30	60
6.3	--	--	--	--	--	--	--	--	30	57	35	65	--	--	--	--
7	30	53	35	63	30	50	35	60	30	57	35	65	30	50	35	60
8	30	53	35	63	30	50	35	60	30	57	35	65	30	50	35	60
9	--	--	--	--	--	--	--	--	30	57	35	65	--	--	--	--
10	30	63	35	73	30	60	35	70	30	57	35	65	30	60	35	70
12	30	63	35	73	30	60	35	70	35	65	40	70	30	60	35	70
12.5	--	--	--	--	--	--	--	--	35	65	40	70	--	--	--	--
14	35	63	40	73	35	60	40	70	35	65	40	70	35	60	40	70
15	--	--	--	--	35	60	40	70	35	65	40	70	--	--	--	--
16	35	63	40	73	35	60	40	70	35	65	40	70	35	60	40	70
18	35	63	45	73	35	60	45	70	35	65	40	70	35	60	45	70
20	35	73	45	73	35	70	45	70	40	70	40	95	35	70	45	70
22	35	73	45	73	35	70	45	70	40	70	40	95	35	70	45	70
24	40	73	40	96	40	70	40	93	40	70	40	95	40	70	40	93
25	40	73	40	96	40	70	40	93	40	70	40	95	40	70	40	93
30	40	73	45	96	40	70	45	93	40	70	45	95	40	70	45	93
35	40	73	45	96	45	70	45	93	40	95	45	95	45	70	45	93
40	40	73	50	95	45	70	50	92	40	95	50	105	45	70	50	92
45	40	96	50	95	40	93	50	92	40	95	50	105	40	93	50	92
50	40	96	50	103	40	93	50	100	40	95	50	105	40	93	50	100
55	45	96	50	123	45	93	50	120	45	95	50	116	45	93	50	120
60	45	96	50	123	45	93	50	120	45	95	50	116	45	93	50	120
70	50	95	55	123	50	92	55	120	50	106	55	120	50	92	55	120
80	50	95	55	123	50	92	55	120	50	106	55	120	50	92	55	120
85	50	95	60	123	50	92	60	120	50	106	60	120	50	92	60	120
90	--	--	--	--	--	--	--	--	50	106	60	120	--	--	--	--
100	50	103	60	123	50	100	60	120	50	106	60	120	50	100	60	120

Part number code for Pitch from type (JFS-10 ~ JFS-26) : **000**

JFS 13 A3 107 J **000** 000 B (Example: JFS-13 100uF 250VAC +/-5%)

Please visit our website to get more update data, those data & specification are subject to change without notice.