



**Features**

- Single Device: 5-A Output
- Input Voltage Range: 9 V to 28 V
- 12 V / 24 V Input Compatible
- Adjustable Output Voltage
- 80 % Efficiency
- Output Remote Sense
- On/Off Standby Function

**Description**

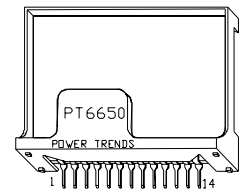
The PT6650 power modules are a series of high efficiency, non-isolated step-down integrated switching regulators (ISRs). These regulators are designed to operate over a 9 V to 28 V input voltage range to produce a tightly regulated output voltage at load currents of up to 5 A. The wide input voltage range allows them to operate off either a 12 V or 24 V DC input bus system, making them ideal for general purpose and industrial applications. The series includes standard output voltage options ranging from 15 V down to 2.5 V, and down to 1.8 V with adjustment. Only two external capacitors are required for proper operation.

The PT6650 series is housed in a low-cost 14-pin SIP (Single In-line Package) and is available in both vertical and horizontal configurations, including surface-mount.

**Ordering Information**

- PT6651□ = 3.3 Volts
- PT6652□ = 2.5 Volts
- PT6653□ = 5 Volts
- PT6654□ = 9 Volts
- PT6655□ = 15 Volts
- PT6656□ = 12 Volts

Note: Back surface of product is conducting metal



**PT Series Suffix (PT1234 x)**

Case/Pin Configuration	Order Suffix	Package Code *
Vertical	<b>P</b>	(EED)
Horizontal	<b>D</b>	(EEA)
SMD	<b>E</b>	(EEC)
Horizontal, 2-Pin Tab	<b>M</b>	(EEM)
SMD, 2-Pin Tab	<b>L</b>	(EEL)
Horizontal, 2-Pin Ext Tab	<b>Q</b>	(EEQ)
SMD, 2-Pin Ext Tab	<b>F</b>	(EEF)
Vertical, Side Tab	<b>R</b>	(EEE)
Horizontal, Side Tab	<b>G</b>	(EEG)
SMD, Side Tab	<b>B</b>	(EEK)

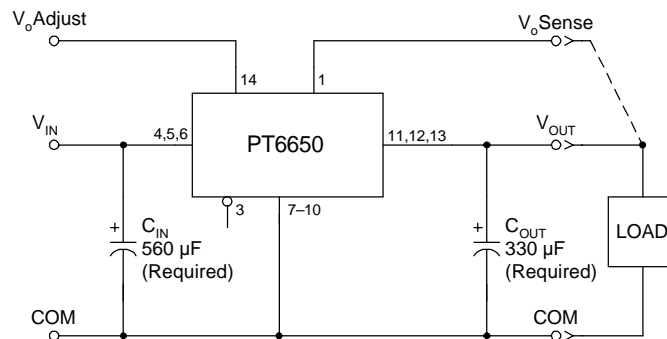
\* Previously known as package styles 400/410.  
(Reference the applicable package code drawing for the dimensions and PC board layout)

**Pin-Out Information**

Pin	Function
1	Remote Sense
2	Do Not Connect
3	STBY*
4	V <sub>IN</sub>
5	V <sub>IN</sub>
6	V <sub>IN</sub>
7	GND
8	GND
9	GND
10	GND
11	V <sub>OUT</sub>
12	V <sub>OUT</sub>
13	V <sub>OUT</sub>
14	V <sub>O</sub> Adjust *

\* For further information, see application notes.

**Standard Application**



C<sub>in</sub> = Required 560 µF electrolytic  
C<sub>out</sub> = Required 330 µF electrolytic

**Specifications** (Unless otherwise stated,  $T_a = 25^\circ\text{C}$ ,  $V_{in} = 24\text{ V}$ ,  $C_{in} = 560\ \mu\text{F}$ ,  $C_{out} = 330\ \mu\text{F}$ , and  $I_o = I_{o(max)}$ )

Characteristic	Symbol	Conditions	PT6650 SERIES			Units	
			Min	Typ	Max		
Output Current	$I_o$	Over $V_{in}$ range	$V_o \leq 12\text{ V}$ $V_o = 15\text{ V}$	0.1 <sup>(1)</sup> 0.1 <sup>(1)</sup>	— —	5 <sup>(2)</sup> 4 <sup>(2)</sup>	A
Input Voltage Range	$V_{in}$	$I_o(\text{min}) \leq I_o \leq I_o(\text{max})$	$V_o < 6\text{ V}$ $V_o > 6\text{ V}$	9 $V_o + 3$	— —	28 28	V
Output Voltage Tolerance	$\Delta V_o$	Over $V_{in}$ range $T_a = -40^\circ\text{C}$ to $65^\circ\text{C}$		$V_o - 0.1$	—	$V_o + 0.1$	V
Output Voltage Adjust Range	$V_o(\text{adj})$	Pin 14 to $V_o$ or ground	$V_o = 3.3\text{ V}$ $V_o = 2.5\text{ V}$ $V_o = 5\text{ V}$ $V_o = 9\text{ V}$ $V_o = 12\text{ V}$ $V_o = 15\text{ V}$	2.2 1.8 3 6 9 10	— — — — — —	4.7 4.3 6.5 10.2 13.6 17	V
Line Regulation	$\text{Reg}_{\text{line}}$	$9\text{ V} \leq V_{in} \leq 28\text{ V}$		—	$\pm 0.5$	$\pm 1$	% $V_o$
Load Regulation	$\text{Reg}_{\text{load}}$	$0.1 \leq I_o \leq 5\text{ A}$		—	$\pm 0.5$	$\pm 1$	% $V_o$
$V_o$ Ripple (pk-pk)	$V_r$	20 MHz bandwidth	$V_o < 6\text{ V}$ $V_o > 6\text{ V}$	— —	50 1	— —	$mV_{pp}$ % $V_o$
Transient Response with $C_2 = 330\ \mu\text{F}$	$t_{tr}$	0.15 A/ $\mu\text{s}$ load step, 50% to 100% $I_{o(max)}$		—	100	—	$\mu\text{Sec}$
	$V_{tr}$	$V_o$ over/undershoot		—	100	—	mV
Efficiency	$\eta$	$I_o = 50\% I_o(\text{max})$	$V_o = 3.3\text{ V}$	—	81	—	%
			$V_o = 2.5\text{ V}$	—	76	—	
	$I_o = I_o(\text{max})$	$V_o = 3.3\text{ V}$	—	80	—	%	
		$V_o = 2.5\text{ V}$	—	75	—		
Switching Frequency	$f_s$	$9\text{ V} \leq V_{in} \leq 28\text{ V}$	$V_o = 5\text{ V}$	—	85	—	%
			$V_o = 5\text{ V}$	—	84	—	
On/Off Standby (Pin 3)		Referenced to GND					
Input High Voltage	$V_{IH}$			1	—	Open <sup>(3)</sup>	V
Input Low Voltage	$V_{IL}$			-0.1	—	0.3	V
Input Low Current	$I_{IL}$			—	-0.25	—	mA
Standby Input Current	$I_{in(\text{standby})}$	pin 3 to GND		—	15	30	mA
External Output Capacitance	$C_{out}$			330	—	3,000	$\mu\text{F}$
External Input Capacitance	$C_{in}$			560 <sup>(4)</sup>	—	—	$\mu\text{F}$
Operating Temperature Range	$T_a$	Over $V_{in}$ range		-40	—	85 <sup>(2)</sup>	$^\circ\text{C}$
Solder Reflow Temperature	$T_{\text{reflow}}$	Surface temperature of module pins or case		—	—	215 <sup>(5)</sup>	$^\circ\text{C}$
Storage Temperature	$T_s$	—		-40	—	125	$^\circ\text{C}$
Reliability	MTBF	Per Bellcore TR-332 50% stress, $T_a = 40^\circ\text{C}$ , ground benign		7.2	—	—	$10^6$ Hrs
Mechanical Shock	—	Per Mil-Std-883D, method 2002.3, 1ms, half-sine, mounted to a fixture		—	500	—	G's
Mechanical Vibration	—	Mil-Std-883D, Method 2007.2, 20-2000Hz, soldered in PCB		—	7.5	—	G's
Weight	—		Case styles P, D, & E	—	12.5	—	grams
			Case styles R, G, & B	—	16.5	—	
			Case styles L & M	—	15.5	—	
			Case styles F & Q	—	22	—	
Flammability	—	Materials meet UL 94V-0					

**Notes:** (1) The ISR will operate at no load with reduced specifications.

(2) See Safe Operating Area curves or contact the factory for the appropriate derating.

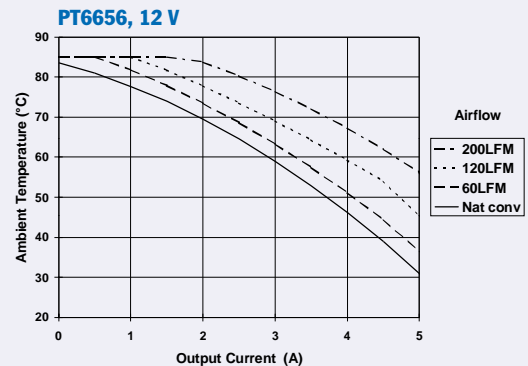
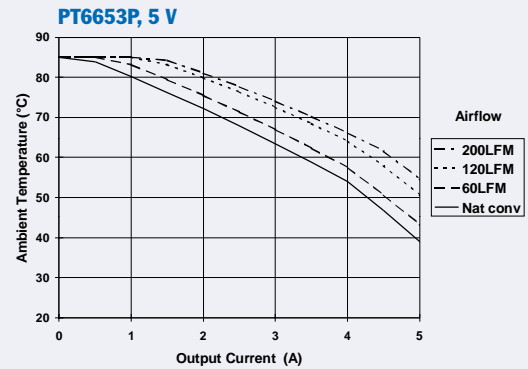
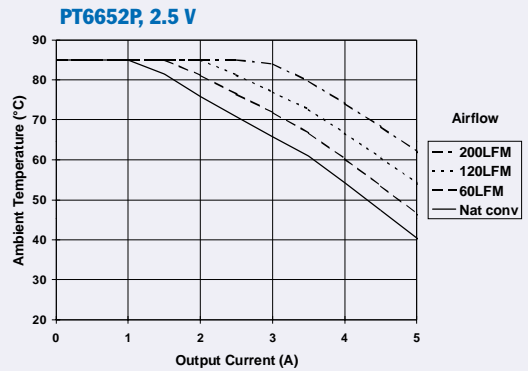
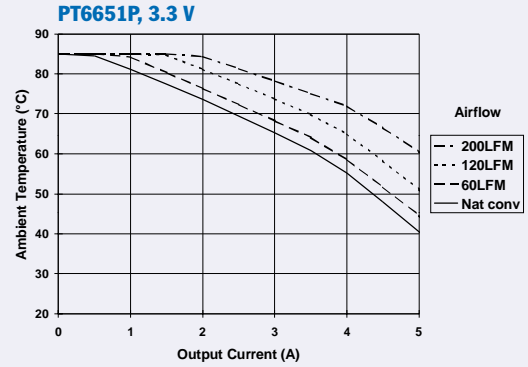
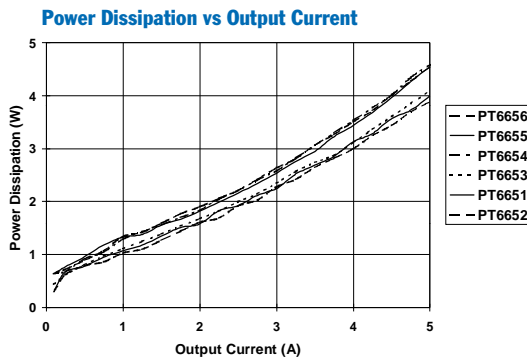
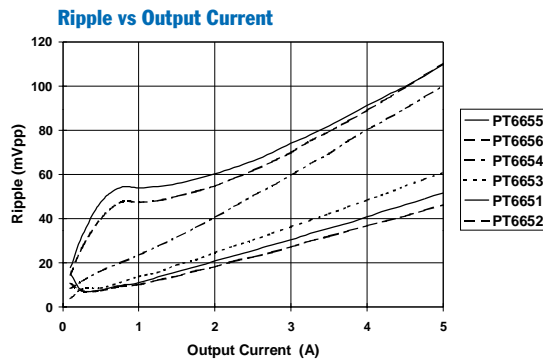
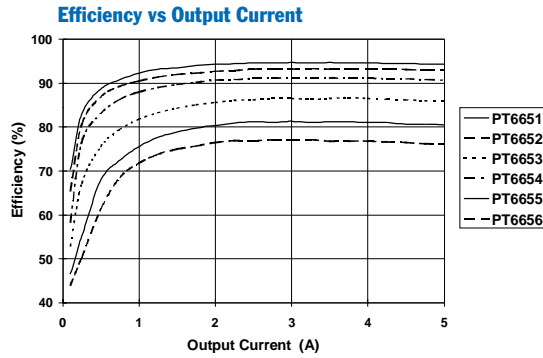
(3) The STBY\* control (pin 3) has an internal pull-up and if it is left open circuit the module will operate when input power is applied. The open-circuit voltage is typically 1.5 V. Consult the related application note for other interface considerations.

(4) The module requires a 560 $\mu\text{F}$  electrolytic capacitor at the input and 330 $\mu\text{F}$  at the output for proper operation in all applications. In addition, the input capacitance,  $C_{in}$ , must be rated for a minimum of 1.2 Arms of ripple current. For transient or dynamic load applications additional capacitance may be necessary. For more information consult the related application note on capacitor recommendations.

(5) During solder reflow of SMD package version do not elevate the module case, pins, or internal component temperatures above a peak of 215 $^\circ\text{C}$ . For further guidance refer to the application note, "Reflow Soldering Requirements for Plug-in Power Surface Mount Products," (SLTA051).

PT6650 Series @ $V_{IN}=24\text{ V}$  (See Note A)

Safe Operating Area @ $V_{IN}=24\text{ V}$  (See Note B)



**Note A:** Characteristic data has been developed from actual products tested at 25°C. This data is considered typical data for the regulator.  
**Note B:** SOA curves represent the conditions at which internal components are at or below the manufacturer's maximum operating temperatures

## Capacitor Recommendations for the PT6650 Regulator Series

### Input Capacitor:

The required input capacitor is determined by 560  $\mu\text{F}$  capacitance value, and a minimum ripple current rating of 1.2 Arms. The ripple current rating and less than 120 m $\Omega$  equivalent series resistance (ESR) are the major considerations, along with operating temperature, when selecting input capacitors.

Tantalum/Os-Con capacitors are not recommended due to a minimum voltage rating of 2 $\times$  (the max. DC voltage + AC ripple). This is standard practice to ensure reliability.

### Output Capacitors:

The ESR specification of the output capacitor should be a minimum of 50 m $\Omega$  \*. Electrolytic capacitors have marginal ripple performance at frequencies greater than 400 kHz but excellent low frequency transient response. Above the ripple frequency ceramic capacitors are necessary to improve the transient response and reduce any high-frequency noise components apparent during higher current excursions. Electrolytic capacitors with appropriate ESR values are identified in Table 1-1. In low-temperature applications (<0  $^{\circ}\text{C}$ ), a higher capacitance with lower ESR will improve performance.

\* Os-Con and ultra low ESR type capacitors are not recommended on the output bus as they degrade regulator stability.

### Tantalum Capacitors (For $V_o < 5.1\text{ V}$ )

Tantalum type capacitors can be used on the output bus for output voltages less than 5.1 V. Voltages higher than this will exceed the capacitor's published surge voltage limits.

If tantalum capacitors are located on the output bus, an appropriate fuse with I $^2$ t current derating is recommended along with an external clamp component. An Output Over-voltage Clamp (OOVC) will fault the output fuse to protect the capacitors in event of an over-voltage condition. The OOVC can be a simple zener high power diode, 3 W to 5 W, located on the load side of the output bus. The zener diode should be rated to 1.3 times the normal output voltage.

### Capacitor Table

Table 1-1 identifies the characteristics of capacitors from a number of vendors with acceptable ESR and ripple current (rms) ratings. The number of capacitors required at both the input and output buses is identified for each capacitor type.

*This is not an extensive capacitor list. Capacitors from other vendors are available with comparable specifications. Those listed are for guidance. The RMS ripple current rating and ESR (Equivalent Series Resistance at 100 kHz) are critical parameters necessary to insure both optimum regulator performance and long capacitor life.*

Table 1-1: Input/Output Capacitors

Capacitor Vendor/ Series	Capacitor Characteristics					Quantity		Vendor Part Number
	Working Voltage	Value ( $\mu\text{F}$ )	(ESR) Equivalent Series Resistance	Max. Ripple Current @85 $^{\circ}\text{C}$ (I $_{\text{rms}}$ )	Physical Size (mm)	Input Bus	Output Bus	
Panasonic FC (Radial)	50 V	560	0.068 $\Omega$	1900 mA	18 $\times$ 15	1	1	EEUFC1H561
	50 V	390	0.080 $\Omega$	1610 mA	16 $\times$ 15	2	1	EEUFC1H391S
	50 V	390	0.080 $\Omega$	1610 mA	16 $\times$ 15	2	1	EEUFC1H391S
FC/FK (SMT)	63 V	680	0.080 $\Omega$	1690 mA	18 $\times$ 16.5	1	1	EEVFK1J681M
	35 V	330	0.080 $\Omega$	850 mA	10 $\times$ 10.2	N/R [1]	1	EEVFK1V331P
	50 V	1000	0.073 $\Omega$	1610 mA	16 $\times$ 16.5	1	1	EEVFK1H102M
United Chemi-con LXZ/LXV Series	50 V	680	0.048 $\Omega$	1840 mA	16 $\times$ 20	1	1	LXZ50VB681M16X20LL
	35 V	330	0.068 $\Omega$	1050 mA	10 $\times$ 16	N/R [1]	1	LXV35VB331M10X16LL
MVY (SMT)	35 V	220	0.150 $\Omega$	670 mA	10 $\times$ 10.3	N/R [1]	2	MVY35VC2211M10X10TP
Nichicon PM Series	50 V	560	0.044 $\Omega$	1550 mA	16 $\times$ 20	1	1	UPM1H561MHH6
	63 V	560	0.039 $\Omega$	1400 mA	18 $\times$ 20	1	1	UPM1J561MHH6
	50 V	330	0.060 $\Omega$	1210 mA	16 $\times$ 15	2	1	UPM1H331MHH6
AVX Tantalum TPS (SMT)	10 V	330	0.10 $\Omega$	>2500 mA	7.3L	N/R [1]	1 [2]	TPSE337M010R0100 ( $V_o < 5.1\text{V}$ )
	10 V	330	0.06 $\Omega$	>3000 mA	$\times 5.7\text{W}$ $\times 4.1\text{H}$	N/R [1]	1 [2]	TPSV337M010R0060 ( $V_o < 5.1\text{V}$ )
Kemet Tantalum T496 /T495 Series (SMT)	10 V	220	0.500 $\Omega$	500 mA	4.3W	N/R [1]	2 [2]	T496X227M010AS ( $V_o < 5.1\text{V}$ )
	10 V	220	0.070 $\Omega$	>2000 mA	$\times 7.3\text{L}$ $\times 4.0\text{H}$	N/R [1]	2 [2]	T495X227M0100AS ( $V_o < 5.1\text{V}$ )
Sprague Tantalum 594D Series (SMT)	10 V	330	0.130 $\Omega$	1393 mA	7.2L $\times 6\text{W}$ $\times 4.1\text{H}$	N/R [1]	1 [2]	595D337X0010R2T ( $V_o < 5.1\text{V}$ )

Notes: [1] N/R –Not recommended. The voltage rating does not meet the minimum operating limits.  
[2] A fused input bus is recommended when tantalum capacitors are used on the output bus.

### Using the Standby Function on the PT6650 Series of 12/24-V Input Bus Converters

For applications requiring output voltage On/Off control, the 14-pin PT6650 ISR series incorporates a standby function. This feature may be used for power-up/shut-down sequencing, and wherever there is a requirement for the output status of the module to be controlled by external circuitry.

The standby function is provided by the *STBY*\* control, pin 3. If pin 3 is left open-circuit the regulator operates normally, providing a regulated output whenever a valid supply voltage is applied to  $V_{in}$  (pins 4, 5, & 6) with respect to GND (pins 7-10). Connecting pin 3 to ground will disable the regulator output and reduce the input current to less than 30 mA<sup>3</sup>. Grounding the standby control will also hold-off the regulator output during the period that input power is applied.

The standby input is ideally controlled with an open-drain discrete transistor (See Figure 2-1). It can also be driven directly from a dedicated TTL<sup>2</sup> compatible gate. Table 2-1 provides details of the threshold requirements.

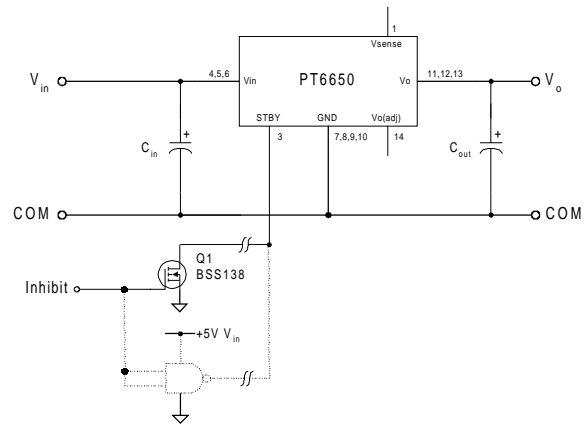
**Table 2-1 Inhibit Control Thresholds<sup>1, 2</sup>**

Parameter	Min	Max
Enable ( $V_{IH}$ )	1 V	5 V
Disable ( $V_{IL}$ )	-0.1 V	0.3 V

**Notes:**

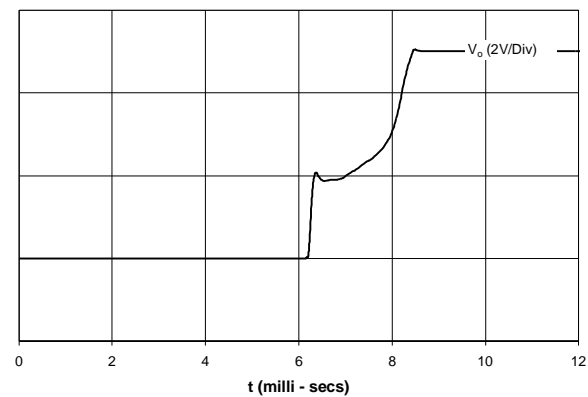
1. The Standby input on the PT6650 regulator series may be controlled using either an open-collector (or open-drain) discrete transistor, or a device with a totem-pole output. A pull-up resistor is not necessary. The control input has an open-circuit voltage of about 1.5 Vdc. To disable the regulator output, the control pin must be “pulled” to less than 0.3 Vdc with a low-level 0.25 mA maximum sink to ground.
2. The Standby input on the PT6650 series is also compatible with TTL logic. A standard TTL logic gate will meet the 0.3 V  $V_{IL(max)}$  requirement (Table 2-1) at 0.25 mA sink current. *Do not* drive the Standby control input above 5 Vdc.
3. When the regulator output is disabled the current drawn from the input source is reduced to approximately 15 mA (30 mA maximum).
4. The turn-off time of  $Q_1$ , or rise time of the standby input is not critical on the PT6650 series. Turning  $Q_1$  off over periods up to 100 ms will not damage the regulator. However, a slow turn-off time will increase both the initial delay and rate-of-rise of the output voltage.

**Figure 2-1**



**Turn-On Time:** Turning  $Q_1$  off in Figure 2-1, removes the low-voltage signal at pin 3 and enables the output. The PT6650 series of regulators will provide a fully regulated output voltage within 12 ms. The actual turn-on time may vary with load and the total amount of output capacitance. Figure 2-2 shows the typical output voltage waveform of a PT6653 (5 V) following the prompt turn-off of  $Q_1$  at time  $t=0$  secs. The waveform was measured with a 24 V input voltage, and 5 A resistive load.

**Figure 2-2**



### Adjusting the Output Voltage of the PT6650 5-A 24-V Bus Converter Series

The output voltage of the PT6650 Series ISRs may be adjusted higher or lower than the factory trimmed pre-set voltage with the addition of a single external resistor. Table 3-1 gives the allowable adjustment range for each model in the series as  $V_a$  (min) and  $V_a$  (max).

**Adjust Up:** An increase in the output voltage is obtained by adding a resistor  $R_2$ , between pin 14 ( $V_o$  adj) and pins 7-10 (GND).

**Adjust Down:** To decrease the output voltage, add a resistor ( $R_1$ ), between pin 14 ( $V_o$  adj) and pins 11-13 ( $V_{out}$ ).

Refer to Figure 3-1 and Table 3-2 for both the placement and value of the required resistor, either ( $R_1$ ) or  $R_2$  as appropriate.

#### Notes:

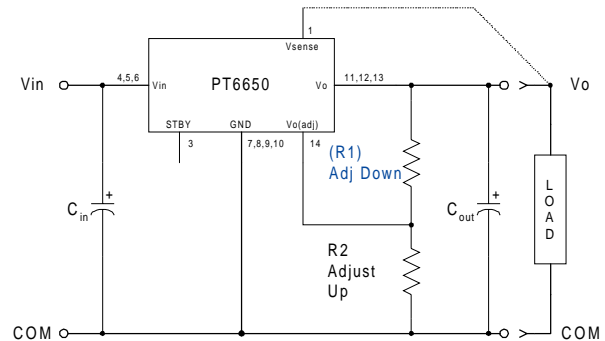
1. Use only a single 1 % resistor in either the ( $R_1$ ) or  $R_2$  location. Place the resistor as close to the ISR as possible.
2. Never connect capacitors from  $V_o$  adjust to either  $GND$ ,  $V_{out}$ , or the *Remote Sense* pin. Any capacitance added to the  $V_o$  adjust pin will affect the stability of the ISR.
3. If the remote sense feature is being used, connecting the resistor ( $R_1$ ) between pin 14 ( $V_o$  adj) and pin 1 (Remote Sense) can benefit load regulation.
4. Adjustments to the output voltage may place additional limits on the input voltage for the part. The revised limits must comply with the following requirements.

$$V_{in} (\text{min}) = (V_{out} + 3) V \text{ or } 9 V, \text{ whichever is higher.}$$

$$V_{in} (\text{max}) = (10 \times V_{out}) V \text{ or } 28 V, \text{ whichever is less.}$$

5. For output voltages above 12.5 Vdc, the maximum output current must be limited to 4 Adc.

Figure 3-1



The values of ( $R_1$ ) [adjust down], and  $R_2$  [adjust up], can also be calculated using the following formulae.

$$R_1 = \frac{R_o (V_o - 1.25) (V_a - 1.25)}{1.25 (V_o - V_a)} - R_s \quad \text{k}\Omega$$

$$R_2 = \frac{R_o (V_o - 1.25)}{V_a - V_o} - R_s \quad \text{k}\Omega$$

Where:  $V_o$  = Original output voltage  
 $V_a$  = Adjusted output voltage  
 $R_o$  = The resistance value in Table 3-1  
 $R_s$  = The series resistance from Table 3-1

Table 3-1

#### PT6650 ADJUSTMENT AND FORMULA PARAMETERS

Series Pt #	PT6652	PT6651	PT6653	PT6654	PT6656	PT6655
$V_o$ (nom)	2.5 V	3.3 V	5 V	9 V	12 V	15 V
$V_a$ (min)	1.8 V	2.2 V	3 V	6 V	9 V	10 V
$V_a$ (max)	4.3 V	4.7 V	6.5 V	10.2 V	13.6 V	17 V
$R_o$ (k $\Omega$ )	4.99	4.22	2.49	2	2	2
$R_s$ (k $\Omega$ )	2.49	4.99	4.99	12.7	12.7	12.7

PT6650 Series

Table 3-2

PT6650 ADJUSTMENT RESISTOR VALUES

Series Pt #	PT6652	PT6651	PT6653
Current	5 Adc	5 Adc	5A dc
V <sub>o</sub> (nom)	2.5 Vdc	3.3 Vdc	5 Vdc
V <sub>a</sub> (req'd)			
1.8	(1.4) kΩ		
1.9	(2.9) kΩ		
2.0	(5.0) kΩ		
2.1	(8.1) kΩ		
2.2	(13.3) kΩ	(1.0) kΩ	
2.3	(23.7) kΩ	(2.3) kΩ	
2.4	(54.9) kΩ	(3.9) kΩ	
2.5		(5.8) kΩ	
2.6	59.9 kΩ	(8.4) kΩ	
2.7	28.7 kΩ	(11.7) kΩ	
2.8	18.3 kΩ	(16.5) kΩ	
2.9	13.1 kΩ	(23.6) kΩ	
3.0	10.0 kΩ	(35.4) kΩ	(1.6) kΩ
3.1	7.9 kΩ	(59.0) kΩ	(2.3) kΩ
3.2	6.4 kΩ	(130.0) kΩ	(3.1) kΩ
3.3	5.3 kΩ		(4.0) kΩ
3.4	4.4 kΩ	81.5 kΩ	(5.1) kΩ
3.5	3.8 kΩ	38.3 kΩ	(6.2) kΩ
3.6	3.2 kΩ	23.8 kΩ	(7.6) kΩ
3.7	2.7 kΩ	16.6 kΩ	(9.1) kΩ
3.8	2.3 kΩ	12.3 kΩ	(10.9) kΩ
3.9	2.0 kΩ	9.4 kΩ	(13.0) kΩ
4.0	1.7 kΩ	7.4 kΩ	(15.6) kΩ
4.1	1.4 kΩ	5.8 kΩ	(18.7) kΩ
4.2	1.2 kΩ	4.6 kΩ	(22.6) kΩ
4.3	1.0 kΩ	3.7 kΩ	(27.6) kΩ
4.4		2.9 kΩ	(34.2) kΩ
4.5		2.2 kΩ	(43.6) kΩ
4.6		1.7 kΩ	(57.6) kΩ
4.7		1.2 kΩ	(80.9) kΩ
4.8			(128.0) kΩ
4.9			(268.0) kΩ
5.0			
5.1			88.4 kΩ
5.2			41.7 kΩ
5.3			26.1 kΩ
5.4			18.4kΩ
5.5			13.7 kΩ
5.6			10.6 kΩ
5.7			8.4 kΩ
5.8			6.7 kΩ
5.9			5.4 kΩ
6.0			4.4 kΩ
6.1			3.5 kΩ
6.2			2.8 kΩ
6.3			2.2 kΩ
6.4			1.7 kΩ
6.5			1.2 kΩ

R<sub>1</sub> = (Blue) R<sub>2</sub> = Black

Series Pt #	PT6654	PT6656	PT6655
Current	5 Adc	5 Adc	4 Adc
V <sub>o</sub> (nom)	9 Vdc	12 Vdc	15 Vdc
V <sub>a</sub> (req'd)			
6.0	(6.9) kΩ		
6.2	(9.2) kΩ		
6.4	(11.9) kΩ		
6.6	(14.0) kΩ		
6.8	(18.6) kΩ		
7.0	(23.0) kΩ		
7.2	(28.3) kΩ		
7.4	(35.0) kΩ		
7.6	(43.5) kΩ		
7.8	(55.0) kΩ		
8.0	(71.0) kΩ		
8.2	(95.0) kΩ		
8.4	(135.0) kΩ		
8.6	(215.0) kΩ		
8.8	(455.0) kΩ		
9.0		(31.7) kΩ	
9.2	64.8 kΩ	(36.1) kΩ	
9.4	26.1 kΩ	(41.2) kΩ	
9.6	13.1 kΩ	(47.1) kΩ	
9.8	6.7 kΩ	(54.1) kΩ	
10.0	2.8 kΩ	(62.6) kΩ	(25.8) kΩ
10.2	0.2 kΩ	(72.8) kΩ	(28.3) kΩ
10.4		(85.7) kΩ	(31.1) kΩ
10.6		(102.0) kΩ	(34.1) kΩ
10.8		(124.0) kΩ	(37.3) kΩ
11.0		(155.0) kΩ	(40.9) kΩ
11.2		(201.0) kΩ	(44.9) kΩ
11.4		(278.0) kΩ	(49.3) kΩ
11.6		(432.0) kΩ	(54.3) kΩ
11.8		(895.0) kΩ	(59.8) kΩ
12.0			(66.1) kΩ
12.2		94.8 kΩ	(73.3) kΩ
12.4		41.1 kΩ	(81.6) kΩ
12.6		23.1 kΩ	(91.3) kΩ
12.8		14.2 kΩ	(103.0) kΩ
13.0		8.8 kΩ	(117.0) kΩ
13.2		5.2 kΩ	(133.0) kΩ
13.4		2.7 kΩ	(154.0) kΩ
13.6		0.7 kΩ	(181.0) kΩ
13.8			(217.0) kΩ
14.0			(268.0) kΩ
14.2			(343.0) kΩ
14.5			(570.0) kΩ
15.0			
15.5			42.3 kΩ
16.0			14.8 kΩ
16.5			5.6 kΩ
17.0			1.1 kΩ

**PACKAGING INFORMATION**

Orderable Device	Status <sup>(1)</sup>	Package Type	Package Drawing	Pins	Package Qty	Eco Plan <sup>(2)</sup>	Lead/ Ball Finish	MSL Peak Temp <sup>(3)</sup>	Samples (Requires Login)
PT6651B	OBSOLETE	SIP MODULE	EEK	14		TBD	Call TI	Call TI	
PT6651D	NRND	SIP MODULE	EEA	14	12	Pb-Free (RoHS)	Call TI	N / A for Pkg Type	
PT6651E	NRND	SIP MODULE	EEC	14	12	Pb-Free (RoHS)	Call TI	Level-1-215C-UNLIM	
PT6651G	OBSOLETE	SIP MODULE	EEG	14		TBD	Call TI	Call TI	
PT6651P	NRND	SIP MODULE	EED	14	12	Pb-Free (RoHS)	Call TI	N / A for Pkg Type	
PT6652G	OBSOLETE	SIP MODULE	EEG	14		TBD	Call TI	Call TI	
PT6653B	NRND	SIP MODULE	EEK	14	12	Pb-Free (RoHS)	Call TI	Level-1-215C-UNLIM	
PT6653D	NRND	SIP MODULE	EEA	14	12	Pb-Free (RoHS)	Call TI	N / A for Pkg Type	
PT6653E	NRND	SIP MODULE	EEC	14	12	Pb-Free (RoHS)	Call TI	Level-1-215C-UNLIM	
PT6653G	NRND	SIP MODULE	EEG	14	12	Pb-Free (RoHS)	Call TI	N / A for Pkg Type	
PT6653P	NRND	SIP MODULE	EED	14	12	Pb-Free (RoHS)	Call TI	N / A for Pkg Type	
PT6653R	NRND	SIP MODULE	EEE	14	12	Pb-Free (RoHS)	Call TI	N / A for Pkg Type	
PT6654B	NRND	SIP MODULE	EEK	14	12	Pb-Free (RoHS)	Call TI	Level-1-215C-UNLIM	
PT6654D	OBSOLETE	SIP MODULE	EEA	14		TBD	Call TI	Call TI	
PT6654G	NRND	SIP MODULE	EEG	14	12	Pb-Free (RoHS)	Call TI	N / A for Pkg Type	
PT6654P	NRND	SIP MODULE	EED	14	12	Pb-Free (RoHS)	Call TI	N / A for Pkg Type	
PT6654R	NRND	SIP MODULE	EEE	14	12	Pb-Free (RoHS)	Call TI	N / A for Pkg Type	
PT6655D	NRND	SIP MODULE	EEA	14	12	Pb-Free (RoHS)	Call TI	N / A for Pkg Type	
PT6655G	NRND	SIP MODULE	EEG	14	12	Pb-Free (RoHS)	Call TI	N / A for Pkg Type	
PT6655P	NRND	SIP MODULE	EED	14	12	Pb-Free (RoHS)	Call TI	N / A for Pkg Type	
PT6656D	NRND	SIP MODULE	EEA	14	12	Pb-Free (RoHS)	Call TI	N / A for Pkg Type	
PT6656G	NRND	SIP MODULE	EEG	14	12	Pb-Free (RoHS)	Call TI	N / A for Pkg Type	
PT6656P	NRND	SIP MODULE	EED	14	12	Pb-Free (RoHS)	Call TI	N / A for Pkg Type	

<sup>(1)</sup> The marketing status values are defined as follows:

**ACTIVE:** Product device recommended for new designs.

**LIFEBUY:** TI has announced that the device will be discontinued, and a lifetime-buy period is in effect.

**NRND:** Not recommended for new designs. Device is in production to support existing customers, but TI does not recommend using this part in a new design.

**PREVIEW:** Device has been announced but is not in production. Samples may or may not be available.

**OBSOLETE:** TI has discontinued the production of the device.



---

<sup>(2)</sup> Eco Plan - The planned eco-friendly classification: Pb-Free (RoHS), Pb-Free (RoHS Exempt), or Green (RoHS & no Sb/Br) - please check <http://www.ti.com/productcontent> for the latest availability information and additional product content details.

**TBD:** The Pb-Free/Green conversion plan has not been defined.

**Pb-Free (RoHS):** TI's terms "Lead-Free" or "Pb-Free" mean semiconductor products that are compatible with the current RoHS requirements for all 6 substances, including the requirement that lead not exceed 0.1% by weight in homogeneous materials. Where designed to be soldered at high temperatures, TI Pb-Free products are suitable for use in specified lead-free processes.

**Pb-Free (RoHS Exempt):** This component has a RoHS exemption for either 1) lead-based flip-chip solder bumps used between the die and package, or 2) lead-based die adhesive used between the die and leadframe. The component is otherwise considered Pb-Free (RoHS compatible) as defined above.

**Green (RoHS & no Sb/Br):** TI defines "Green" to mean Pb-Free (RoHS compatible), and free of Bromine (Br) and Antimony (Sb) based flame retardants (Br or Sb do not exceed 0.1% by weight in homogeneous material)

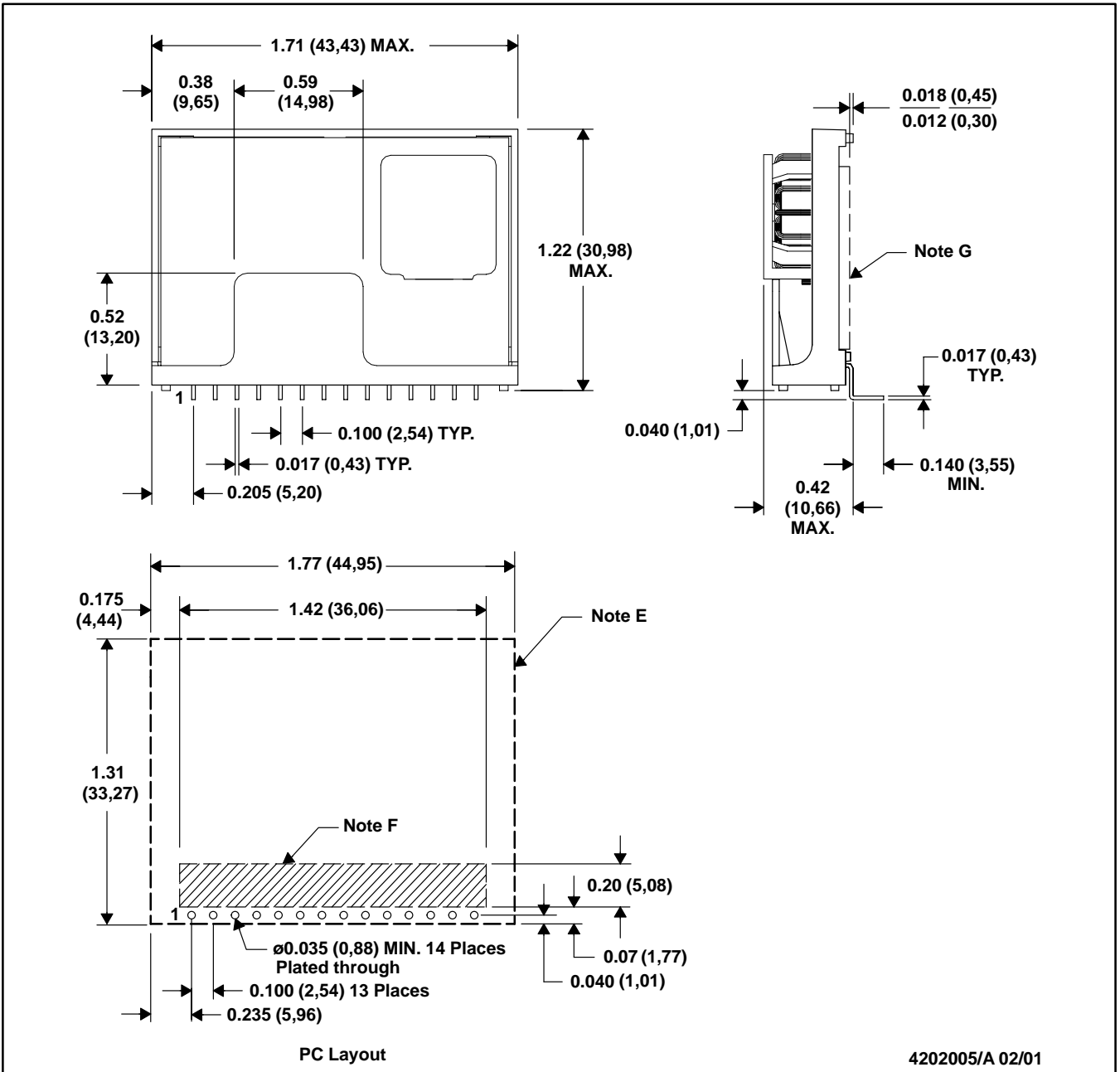
<sup>(3)</sup> MSL, Peak Temp. -- The Moisture Sensitivity Level rating according to the JEDEC industry standard classifications, and peak solder temperature.

**Important Information and Disclaimer:** The information provided on this page represents TI's knowledge and belief as of the date that it is provided. TI bases its knowledge and belief on information provided by third parties, and makes no representation or warranty as to the accuracy of such information. Efforts are underway to better integrate information from third parties. TI has taken and continues to take reasonable steps to provide representative and accurate information but may not have conducted destructive testing or chemical analysis on incoming materials and chemicals. TI and TI suppliers consider certain information to be proprietary, and thus CAS numbers and other limited information may not be available for release.

In no event shall TI's liability arising out of such information exceed the total purchase price of the TI part(s) at issue in this document sold by TI to Customer on an annual basis.

EEA (R-PSIP-T14)

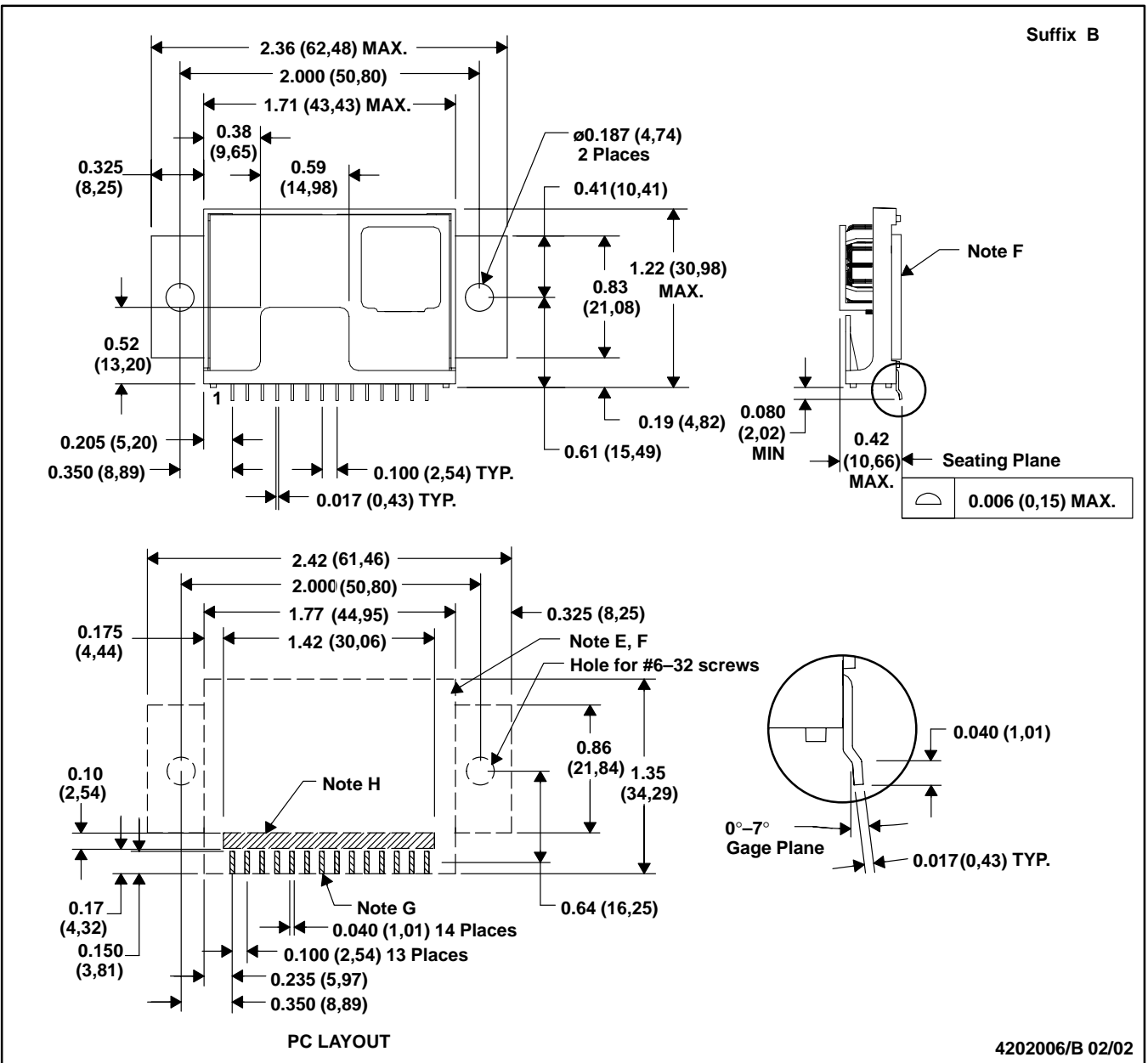
PLASTIC SINGLE-IN-LINE MODULE



- NOTES:
- A. All linear dimensions are in inches (mm).
  - B. This drawing is subject to change without notice.
  - C. 2-place decimals are  $\pm 0.030$  ( $\pm 0,76$  mm).
  - D. 3-place decimals are  $\pm 0.010$  ( $\pm 0,25$  mm).
  - E. Recommended mechanical keep-out area.
  - F. No copper, power or signal traces in this area.
  - G. D-suffix parts include a metal heat spreader. No signal traces are allowed under the heat spreader area. A solid copper island is recommended, which may be grounded.
  - A-suffix does not include a metal heat spreader.

EEK (R-PSIP-G14)

PLASTIC SINGLE-IN-LINE MODULE

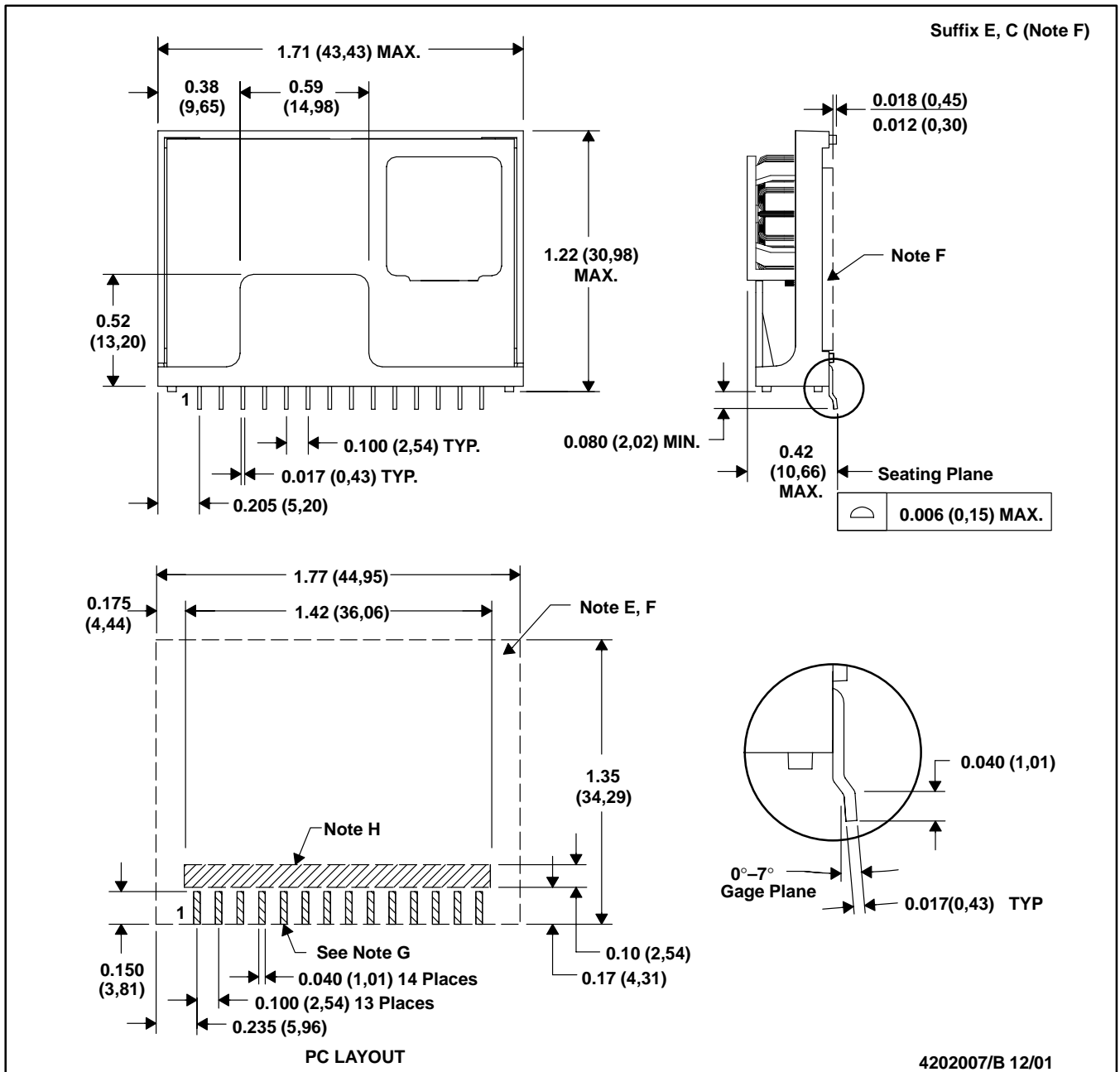


- NOTES: A. All linear dimensions are in inches (mm).  
 B. This drawing is subject to change without notice.  
 C. 2-place decimals are  $\pm 0.030$  ( $\pm 0,76$  mm).  
 D. 3-place decimals are  $\pm 0.010$  ( $\pm 0,25$  mm).  
 E. Recommended mechanical keep-out area.  
 F. The metal tab is isolated but electrically conductive.  
 No signal traces are allowed under the metal tab area.  
 A solid copper island is recommended, which may be grounded.

- G. Power pin connections should utilize two or more vias per input, ground and output pin.  
 H. No copper, power or signal traces in this area.

## EEC (R-PSIP-G14)

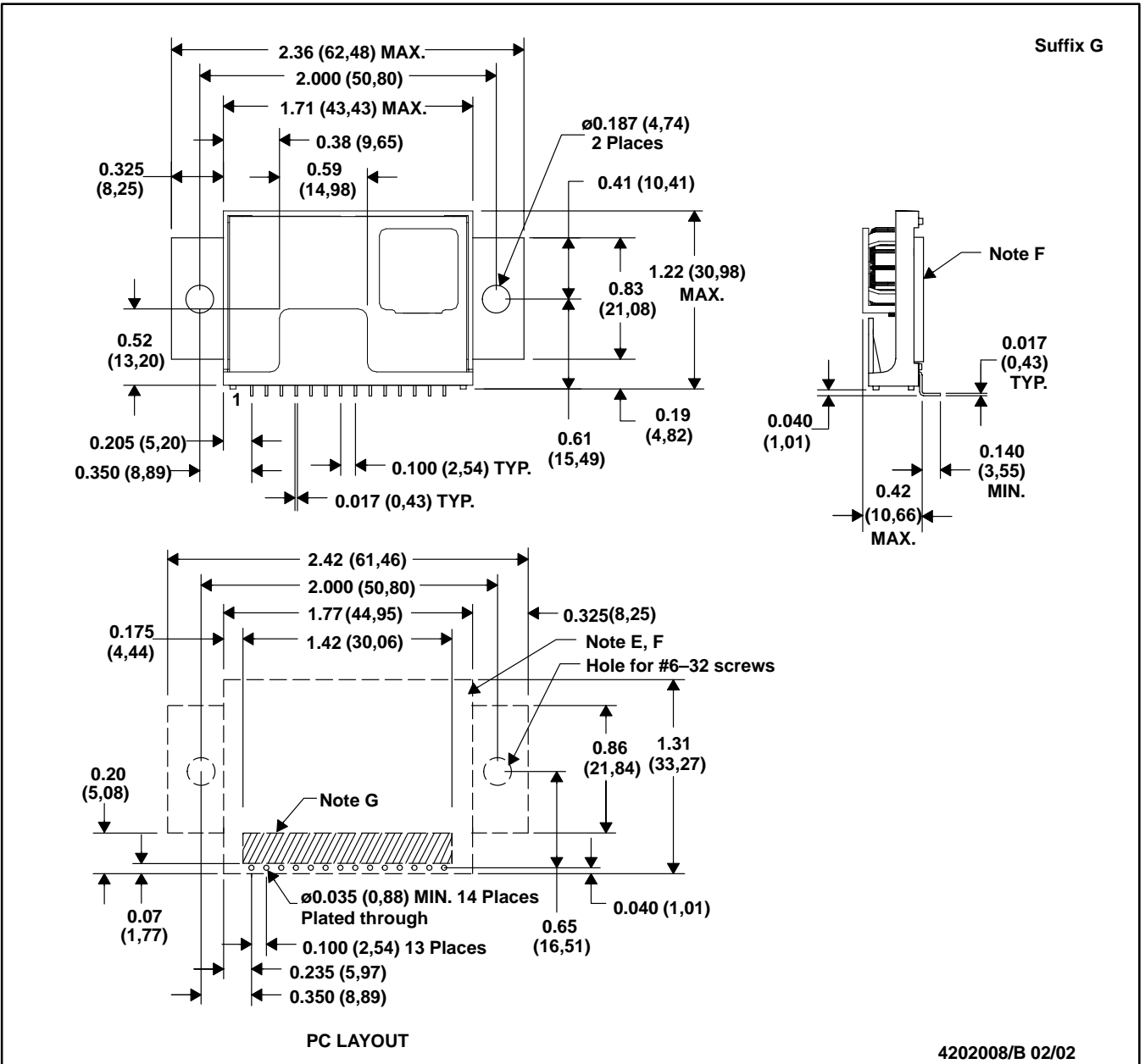
## PLASTIC SINGLE-IN-LINE MODULE



- NOTES:
- All linear dimensions are in inches (mm).
  - This drawing is subject to change without notice.
  - 2-place decimals are  $\pm 0.030$  ( $\pm 0,76$  mm).
  - 3-place decimals are  $\pm 0.010$  ( $\pm 0,25$  mm).
  - Recommended mechanical keep-out area.
  - E-suffix parts include a metal heat spreader. No signal traces are allowed under the heat spreader area. A solid copper island is recommended, which may be grounded.
  - C-suffix does not include a metal heat spreader.
  - Power pin connections should utilize two or more vias per input, ground and output pin.
  - No copper, power or signal traces in this area.

EEG (R-PSIP-T14)

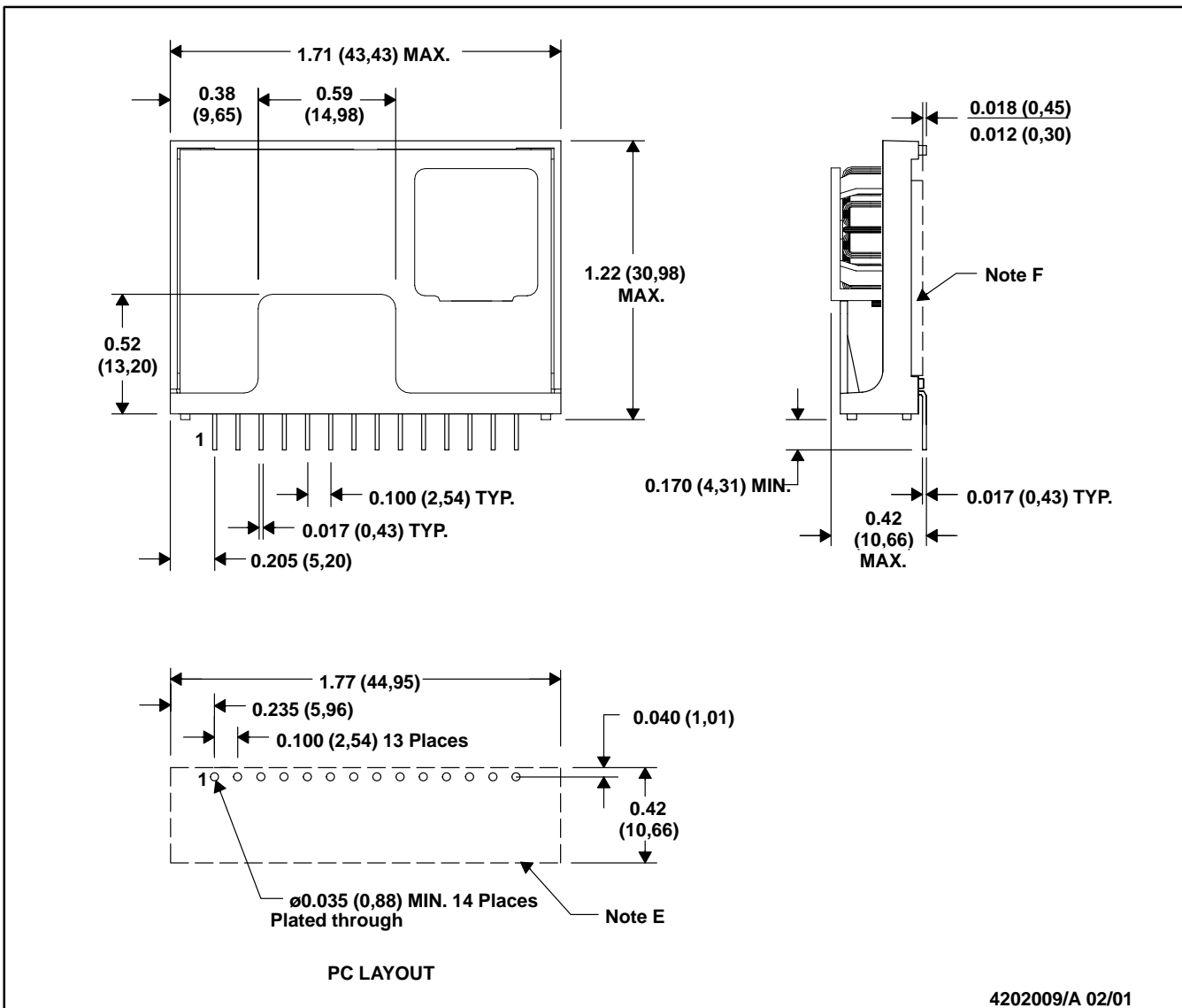
PLASTIC SINGLE-IN-LINE MODULE



- NOTES: A. All linear dimensions are in inches (mm).  
 B. This drawing is subject to change without notice.  
 C. 2-place decimals are ± 0.030 (± 0,76 mm).  
 D. 3-place decimals are ± 0.010 (± 0,25 mm).  
 E. Recommended mechanical keep-out area.  
 F. The metal tab is isolated but electrically conductive.  
 No signal traces are allowed under the metal tab area.  
 A solid copper island is recommended, which may be grounded.  
 G. No copper, power or signal traces in this area.

EED (R-PSIP-T14)

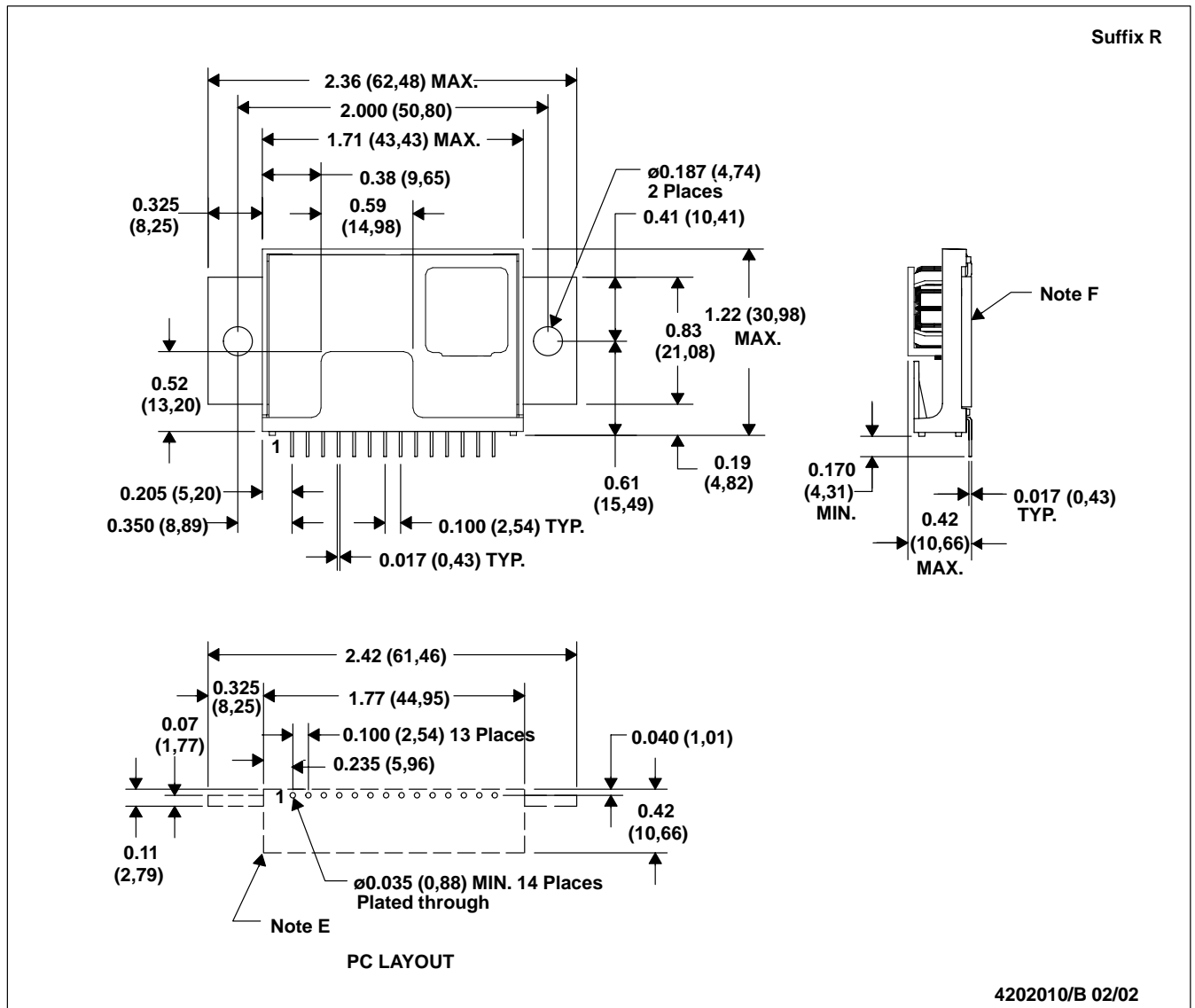
PLASTIC SINGLE-IN-LINE MODULE



- NOTES: A. All linear dimensions are in inches (mm).  
 B. This drawing is subject to change without notice.  
 C. 2-place decimals are  $\pm 0.030$  ( $\pm 0,76$  mm).  
 D. 3-place decimals are  $\pm 0.010$  ( $\pm 0,25$  mm).  
 E. Recommended mechanical keep-out area.  
 F. P-suffix parts include a metal heat spreader.  
 The heat spreader is isolated but electrically conductive, it can be grounded.  
 N-suffix does not include a metal heat spreader.

EEE (R-PSIP-T14)

PLASTIC SINGLE-IN-LINE MODULE



4202010/B 02/02

- NOTES:
- A. All linear dimensions are in inches (mm).
  - B. This drawing is subject to change without notice.
  - C. 2-place decimals are  $\pm 0.030$  ( $\pm 0,76$  mm).
  - D. 3-place decimals are  $\pm 0.010$  ( $\pm 0,25$  mm).
  - E. Recommended mechanical keep-out area.
  - F. The metal tab is isolated but electrically conductive, it can be grounded.

## IMPORTANT NOTICE

Texas Instruments Incorporated and its subsidiaries (TI) reserve the right to make corrections, modifications, enhancements, improvements, and other changes to its products and services at any time and to discontinue any product or service without notice. Customers should obtain the latest relevant information before placing orders and should verify that such information is current and complete. All products are sold subject to TI's terms and conditions of sale supplied at the time of order acknowledgment.

TI warrants performance of its hardware products to the specifications applicable at the time of sale in accordance with TI's standard warranty. Testing and other quality control techniques are used to the extent TI deems necessary to support this warranty. Except where mandated by government requirements, testing of all parameters of each product is not necessarily performed.

TI assumes no liability for applications assistance or customer product design. Customers are responsible for their products and applications using TI components. To minimize the risks associated with customer products and applications, customers should provide adequate design and operating safeguards.

TI does not warrant or represent that any license, either express or implied, is granted under any TI patent right, copyright, mask work right, or other TI intellectual property right relating to any combination, machine, or process in which TI products or services are used. Information published by TI regarding third-party products or services does not constitute a license from TI to use such products or services or a warranty or endorsement thereof. Use of such information may require a license from a third party under the patents or other intellectual property of the third party, or a license from TI under the patents or other intellectual property of TI.

Reproduction of TI information in TI data books or data sheets is permissible only if reproduction is without alteration and is accompanied by all associated warranties, conditions, limitations, and notices. Reproduction of this information with alteration is an unfair and deceptive business practice. TI is not responsible or liable for such altered documentation. Information of third parties may be subject to additional restrictions.

Resale of TI products or services with statements different from or beyond the parameters stated by TI for that product or service voids all express and any implied warranties for the associated TI product or service and is an unfair and deceptive business practice. TI is not responsible or liable for any such statements.

TI products are not authorized for use in safety-critical applications (such as life support) where a failure of the TI product would reasonably be expected to cause severe personal injury or death, unless officers of the parties have executed an agreement specifically governing such use. Buyers represent that they have all necessary expertise in the safety and regulatory ramifications of their applications, and acknowledge and agree that they are solely responsible for all legal, regulatory and safety-related requirements concerning their products and any use of TI products in such safety-critical applications, notwithstanding any applications-related information or support that may be provided by TI. Further, Buyers must fully indemnify TI and its representatives against any damages arising out of the use of TI products in such safety-critical applications.

TI products are neither designed nor intended for use in military/aerospace applications or environments unless the TI products are specifically designated by TI as military-grade or "enhanced plastic." Only products designated by TI as military-grade meet military specifications. Buyers acknowledge and agree that any such use of TI products which TI has not designated as military-grade is solely at the Buyer's risk, and that they are solely responsible for compliance with all legal and regulatory requirements in connection with such use.

TI products are neither designed nor intended for use in automotive applications or environments unless the specific TI products are designated by TI as compliant with ISO/TS 16949 requirements. Buyers acknowledge and agree that, if they use any non-designated products in automotive applications, TI will not be responsible for any failure to meet such requirements.

Following are URLs where you can obtain information on other Texas Instruments products and application solutions:

### Products

Audio	<a href="http://www.ti.com/audio">www.ti.com/audio</a>
Amplifiers	<a href="http://amplifier.ti.com">amplifier.ti.com</a>
Data Converters	<a href="http://dataconverter.ti.com">dataconverter.ti.com</a>
DLP® Products	<a href="http://www.dlp.com">www.dlp.com</a>
DSP	<a href="http://dsp.ti.com">dsp.ti.com</a>
Clocks and Timers	<a href="http://www.ti.com/clocks">www.ti.com/clocks</a>
Interface	<a href="http://interface.ti.com">interface.ti.com</a>
Logic	<a href="http://logic.ti.com">logic.ti.com</a>
Power Mgmt	<a href="http://power.ti.com">power.ti.com</a>
Microcontrollers	<a href="http://microcontroller.ti.com">microcontroller.ti.com</a>
RFID	<a href="http://www.ti-rfid.com">www.ti-rfid.com</a>
RF/IF and ZigBee® Solutions	<a href="http://www.ti.com/lprf">www.ti.com/lprf</a>

### Applications

Communications and Telecom	<a href="http://www.ti.com/communications">www.ti.com/communications</a>
Computers and Peripherals	<a href="http://www.ti.com/computers">www.ti.com/computers</a>
Consumer Electronics	<a href="http://www.ti.com/consumer-apps">www.ti.com/consumer-apps</a>
Energy and Lighting	<a href="http://www.ti.com/energy">www.ti.com/energy</a>
Industrial	<a href="http://www.ti.com/industrial">www.ti.com/industrial</a>
Medical	<a href="http://www.ti.com/medical">www.ti.com/medical</a>
Security	<a href="http://www.ti.com/security">www.ti.com/security</a>
Space, Avionics and Defense	<a href="http://www.ti.com/space-avionics-defense">www.ti.com/space-avionics-defense</a>
Transportation and Automotive	<a href="http://www.ti.com/automotive">www.ti.com/automotive</a>
Video and Imaging	<a href="http://www.ti.com/video">www.ti.com/video</a>
Wireless	<a href="http://www.ti.com/wireless-apps">www.ti.com/wireless-apps</a>

TI E2E Community Home Page

[e2e.ti.com](http://e2e.ti.com)

Mailing Address: Texas Instruments, Post Office Box 655303, Dallas, Texas 75265  
Copyright © 2011, Texas Instruments Incorporated