

# LM75

## Digital Temperature Sensor and Thermal Watchdog with Two-Wire Interface

### General Description


The LM75 is a temperature sensor, Delta-Sigma analog-to-digital converter, and digital over-temperature detector with I<sup>2</sup>C® interface. The host can query the LM75 at any time to read temperature. The open-drain Overtemperature Shutdown (O.S.) output becomes active when the temperature exceeds a programmable limit. This pin can operate in either "Comparator" or "Interrupt" mode.

The host can program both the temperature alarm threshold (T<sub>OS</sub>) and the temperature at which the alarm condition goes away (T<sub>HYST</sub>). In addition, the host can read back the contents of the LM75's T<sub>OS</sub> and T<sub>HYST</sub> registers. Three pins (A0, A1, A2) are available for address selection. The sensor powers up in Comparator mode with default thresholds of 80°C T<sub>OS</sub> and 75°C T<sub>HYST</sub>.

The LM75's 3.0V to 5.5V supply voltage range, low supply current and I<sup>2</sup>C interface make it ideal for a wide range of applications. These include thermal management and protection applications in personal computers, electronic test equipment, and office electronics.

### Features

- SOP-8 and Mini SOP-8 (MSOP) packages save space
- I<sup>2</sup>C Bus interface
- Separate open-drain output pin operates as interrupt or comparator/thermostat output

- Register readback capability
- Power up defaults permit stand-alone operation as thermostat
- Shutdown mode to minimize power consumption
- Up to 8 LM75s can be connected to a single bus
- UL Recognized Component 

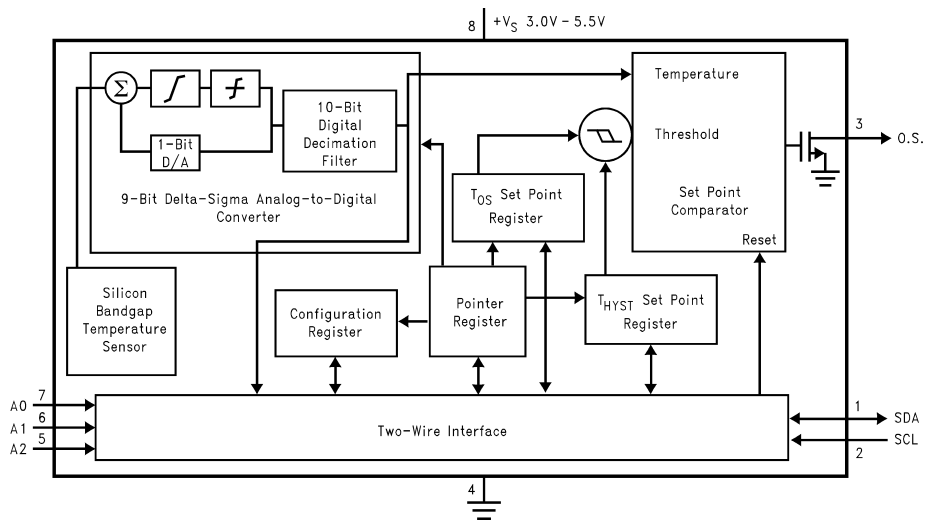
### Key Specifications

|                        |                |                            |
|------------------------|----------------|----------------------------|
| ■ Supply Voltage       |                | 3.0V to 5.5V               |
| ■ Supply Current       | operating      | 250 µA (typ)<br>1 mA (max) |
|                        | shutdown       | 4 µA (typ)                 |
| ■ Temperature Accuracy | -25°C to 100°C | ±2°C(max)                  |
|                        | -55°C to 125°C | ±3°C(max)                  |

### Applications

- System Thermal Management
- Personal Computers
- Office Electronics
- Electronic Test Equipment

### Simplified Block Diagram

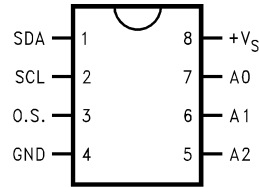


01265801

I<sup>2</sup>C® is a registered trademark of Philips Corporation.

## Connection Diagram

SOP-8 and Mini SOP-8



01265802

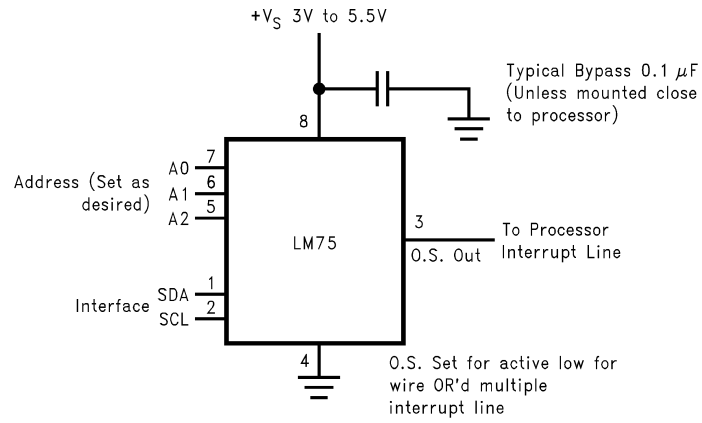
## Ordering Information

| Order Number | Package Marking | NS Package Number | Supply Voltage | Transport Media             | Noise Filter on SDA and SCL |
|--------------|-----------------|-------------------|----------------|-----------------------------|-----------------------------|
| LM75BIM-3    | LM75BIM-3       | M08A (SOP-8)      | 3.3V           | 95 Units in Rail            | Yes                         |
| LM75BIMX-3   | LM75BIM-3       | M08A (SOP-8)      | 3.3V           | 2500 Units on Tape and Reel | Yes                         |
| LM75BIMM-3   | T01B            | MUA08A (MSOP-8)   | 3.3V           | 1000 Units on Tape and Reel | Yes                         |
| LM75BIMMX-3  | T01B            | MUA08A (MSOP-8)   | 3.3V           | 3500 Units on Tape and Reel | Yes                         |
| LM75BIM-5    | LM75BIM-5       | M08A (SOP-8)      | 5V             | 95 Units in Rail            | Yes                         |
| LM75BIMX-5   | LM75BIM-5       | M08A (SOP-8)      | 5V             | 2500 Units on Tape and Reel | Yes                         |
| LM75BIMM-5   | T00B            | MUA08A (MSOP-8)   | 5V             | 1000 Units on Tape and Reel | Yes                         |
| LM75BIMMX-5  | T00B            | MUA08A (MSOP-8)   | 5V             | 3500 Units on Tape and Reel | Yes                         |
| LM75CIM-3    | LM75CIM-3       | M08A (SOP-8)      | 3.3V           | 95 Units in Rail            | Not Available               |
| LM75CIMX-3   | LM75CIM-3       | M08A (SOP-8)      | 3.3V           | 2500 Units on Tape and Reel | Not Available               |
| LM75CIMM-3   | T01C            | MUA08A (MSOP-8)   | 3.3V           | 1000 Units on Tape and Reel | Not Available               |
| LM75CIMMX-3  | T01C            | MUA08A (MSOP-8)   | 3.3V           | 3500 Units on Tape and Reel | Not Available               |
| LM75CIM-5    | LM75CIM-5       | M08A (SOP-8)      | 5V             | 95 Units in Rail            | Not Available               |
| LM75CIMX-5   | LM75CIM-5       | M08A (SOP-8)      | 5V             | 2500 Units on Tape and Reel | Not Available               |
| LM75CIMM-5   | T00C            | MUA08A (MSOP-8)   | 5V             | 1000 Units on Tape and Reel | Not Available               |
| LM75CIMMX-5  | T00C            | MUA08A (MSOP-8)   | 5V             | 3500 Units on Tape and Reel | Not Available               |

## Pin Description

| Label           | Pin # | Function  | Typical Connection   |
|-----------------|-------|---|--|
| SDA             | 1     | I <sup>2</sup> C Serial Bi-Directional Data Line. Open Drain. | From Controller, tied to a pull-up   |
| SCL             | 2     | I <sup>2</sup> C Clock Input                                  | From Controller  |
| O.S.            | 3     | Overtemperature Shutdown Open Drain Output                    | Pull-up Resistor, Controller Interrupt Line  |
| GND             | 4     | Power Supply Ground   | Ground   |
| +V <sub>S</sub> | 8     | Positive Supply Voltage Input                                 | DC Voltage from 3V to 5.5V; 0.1μF bypass capacitor with 10μF bulk capacitance in the near vicinity |
| A0–A2           | 7,6,5 | User-Set I <sup>2</sup> C Address Inputs                      | Ground (Low, “0”) or +V <sub>S</sub> (High, “1”)   |

## Pin Description (Continued)



01265803

**FIGURE 1. Typical Application**

**Absolute Maximum Ratings** (Note 1)

|   |                        |
|---|------------------------|
| Supply Voltage                          | -0.3V to 6.5V          |
| Voltage at any Pin                      | -0.3V to $+V_S + 0.3V$ |
| Input Current at any Pin (Note 2)       | 5 mA                   |
| Package Input Current (Note 2)          | 20 mA                  |
| O.S. Output Sink Current                | 10 mA                  |
| O.S. Output Voltage                     | 6.5V                   |
| Storage Temperature                     | -65°C to +150°C        |
| Soldering Information, Lead Temperature |                        |
| SOP and MSOP Package (Note 3)           |                        |
| Vapor Phase (60 seconds)                | 215°C                  |
| Infrared (15 seconds)                   | 220°C                  |

## ESD Susceptibility (Note 4)

|                  |       |       |
|------------------|-------|-------|
| Human Body Model | LM75B | LM75C |
|                  | 2500V | 1500V |
| Machine Model    | 250V  | 100V  |

**Operating Ratings**

|   |   |
|---|---|
| Specified Temperature Range<br>(Note 5) | $T_{MIN}$ to $T_{MAX}$<br>-55°C to +125°C |
| Supply Voltage Range ( $+V_S$ )         | +3.0V to +5.5V                            |

**Temperature-to-Digital Converter Characteristics**

Unless otherwise noted, these specifications apply for  $+V_S = +5$  Vdc for LM75BIM-5, LM75BIMM-5, LM75CIM-5, and LM75CIMM-5 and  $+V_S = +3.3$  Vdc for LM75BIM-3, LM75BIMM-3, LM75CIM-3, and LM75CIMM-3 (Note 6). **Boldface limits apply for  $T_A = T_J = T_{MIN}$  to  $T_{MAX}$** ; all other limits  $T_A = T_J = +25^\circ\text{C}$ , unless otherwise noted.

| Parameter                      | Conditions  | Typical<br>(Note 12)       | Limits<br>(Note 7)          | Units<br>(Limit)       |          |
|--------------------------------|---|----------------------------|-----------------------------|------------------------|----------|
| Accuracy                       | $T_A = -25^\circ\text{C}$ to $+100^\circ\text{C}$ |                            | <b><math>\pm 2.0</math></b> | $^\circ\text{C}$ (max) |          |
|                                | $T_A = -55^\circ\text{C}$ to $+125^\circ\text{C}$ |                            | <b><math>\pm 3.0</math></b> | $^\circ\text{C}$ (max) |          |
| Resolution                     |   | 9                          |                             | Bits                   |          |
| Temperature Conversion Time    | (Note 8)  | 100                        |                             | ms                     |          |
| Quiescent Current              | LM75B   | I <sup>2</sup> C Inactive  | 0.25                        | <b>0.5</b>             | mA (max) |
|                                |   | Shutdown Mode, $+V_S = 3V$ | 4                           |                        |          |
|                                |   | Shutdown Mode, $+V_S = 5V$ | 6                           |                        |          |
|                                | LM75C   | I <sup>2</sup> C Inactive  | 0.25                        | <b>1.0</b>             | mA (max) |
|                                |   | Shutdown Mode, $+V_S = 3V$ | 4                           |                        |          |
|                                |   | Shutdown Mode, $+V_S = 5V$ | 6                           |                        |          |
| O.S. Output Saturation Voltage | $I_{OUT} = 4.0$ mA<br>(Note 9)                    |                            | <b>0.8</b>                  | V (max)                |          |
| O.S. Delay                     | (Note 10)   |                            | <b>1</b>                    | Conversions (min)      |          |
|                                |   |                            | <b>6</b>                    | Conversions (max)      |          |
| $T_{OS}$ Default Temperature   | (Note 11)   | 80                         |                             | $^\circ\text{C}$       |          |
| $T_{HYST}$ Default Temperature | (Note 11)   | 75                         |                             | $^\circ\text{C}$       |          |

**Logic Electrical Characteristics**

**DIGITAL DC CHARACTERISTICS** Unless otherwise noted, these specifications apply for  $+V_S = +5$  Vdc for LM75BIM-5, LM75BIMM-5, LM75CIM-5, and LM75CIMM-5 and  $+V_S = +3.3$  Vdc for LM75BIM-3, LM75BIMM-3, LM75CIM-3, and LM75CIMM-3 (Note 6). **Boldface limits apply for  $T_A = T_J = T_{MIN}$  to  $T_{MAX}$** ; all other limits  $T_A = T_J = +25^\circ\text{C}$ , unless otherwise noted.

| Symbol      | Parameter                 | Conditions      | Typical<br>(Note 12) | Limits<br>(Note 7)  | Units<br>(Limit)    |
|-------------|---------------------------|-----------------|----------------------|---|---------------------|
| $V_{IN(1)}$ | Logical "1" Input Voltage |                 |                      | <b><math>+V_S \times 0.7</math></b><br><b><math>+V_S + 0.5</math></b> | V (min)<br>V (max)  |
| $V_{IN(0)}$ | Logical "0" Input Voltage |                 |                      | <b>-0.3</b><br><b><math>+V_S \times 0.3</math></b>                    | V (min)<br>V (max)  |
| $I_{IN(1)}$ | Logical "1" Input Current | $V_{IN} = 5V$   | 0.005                | <b>1.0</b>  | $\mu\text{A}$ (max) |
| $I_{IN(0)}$ | Logical "0" Input Current | $V_{IN} = 0V$   | -0.005               | <b>-1.0</b>   | $\mu\text{A}$ (max) |
| $C_{IN}$    | All Digital Inputs        |                 | 20                   |   | pF                  |
| $I_{OH}$    | High Level Output Current | $V_{OH} = 5V$   |                      | <b>100</b>  | $\mu\text{A}$ (max) |
| $V_{OL}$    | Low Level Output Voltage  | $I_{OL} = 3$ mA |                      | <b>0.4</b>  | V (max)             |
| $t_{OF}$    | Output Fall Time          | $C_L = 400$ pF  |                      | <b>250</b>  | ns (max)            |

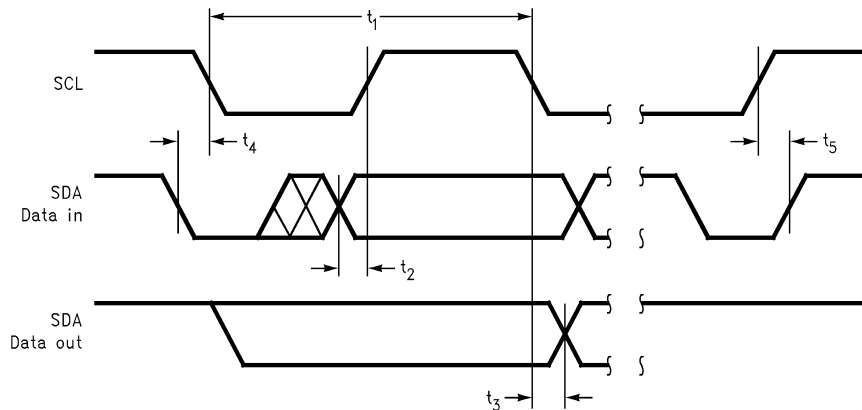
## Logic Electrical Characteristics (Continued)

**DIGITAL DC CHARACTERISTICS** Unless otherwise noted, these specifications apply for  $+V_S = +5$  Vdc for LM75BIM-5, LM75BIMM-5, LM75CIM-5, and LM75CIMM-5 and  $+V_S = +3.3$  Vdc for LM75BIM-3, LM75BIMM-3, LM75CIM-3, and LM75CIMM-3 (Note 6). **Boldface limits apply for  $T_A = T_J = T_{MIN}$  to  $T_{MAX}$** ; all other limits  $T_A = T_J = +25^\circ\text{C}$ , unless otherwise noted.

| Symbol | Parameter | Conditions   | Typical<br>(Note 12) | Limits<br>(Note 7) | Units<br>(Limit) |
|--------|-----------|--------------|----------------------|--------------------|------------------|
|        |           | $I_O = 3$ mA |                      |                    |                  |

**I<sup>2</sup>C DIGITAL SWITCHING CHARACTERISTICS** Unless otherwise noted, these specifications apply for  $+V_S = +5$  Vdc for LM75BIM-5, LM75BIMM-5, LM75CIM-5, and LM75CIMM-5 and  $+V_S = +3.3$  Vdc for LM75BIM-3, LM75BIMM-3, LM75CIM-3, and LM75CIMM-3.  $C_L$  (load capacitance) on output lines = 80 pF unless otherwise specified. **Boldface limits apply for  $T_A = T_J = T_{MIN}$  to  $T_{MAX}$** ; all other limits  $T_A = T_J = +25^\circ\text{C}$ , unless otherwise noted. The switching characteristics of the LM75 fully meet or exceed the published specifications of the I<sup>2</sup>C bus. The following parameters are the timing relationships between SCL and SDA signals related to the LM75. They are not the I<sup>2</sup>C bus specifications.

| Symbol               | Parameter  | Conditions | Typical<br>(Note 12) | Limits<br>(Note 7)    | Units<br>(Limit)    |
|----------------------|--|------------|----------------------|-----------------------|---------------------|
| $t_1$                | SCL (Clock) Period                                   |            |                      | <b>2.5</b>            | $\mu\text{s}$ (min) |
| $t_2$                | Data in Set-Up Time to SCL High                      |            |                      | <b>100</b>            | ns (min)            |
| $t_3$                | Data Out Stable after SCL Low                        |            |                      | <b>0</b>              | ns (min)            |
| $t_4$                | SDA Low Set-Up Time to SCL Low (Start Condition)     |            |                      | <b>100</b>            | ns (min)            |
| $t_5$                | SDA High Hold Time after SCL High (Stop Condition)   |            |                      | <b>100</b>            | ns (min)            |
| $t_{\text{TIMEOUT}}$ | SDA Time Low for Reset of Serial Interface (Note 13) | LM75B      |                      | <b>75</b>             | ms (min)            |
|                      |  | LM75C      |                      | <b>325</b>            | ms (max)            |
|                      |  |            |                      | <b>Not Applicable</b> |                     |



01265804

**Note 1:** Absolute Maximum Ratings indicate limits beyond which damage to the device may occur. DC and AC electrical specifications do not apply when operating the device beyond its rated operating conditions.

**Note 2:** When the input voltage ( $V_I$ ) at any pin exceeds the power supplies ( $V_I < \text{GND}$  or  $V_I > +V_S$ ) the current at that pin should be limited to 5 mA. The 20 mA maximum package input current rating limits the number of pins that can safely exceed the power supplies with an input current of 5 mA to four.

**Note 3:** See AN-450 "Surface Mounting Methods and Their Effect on Product Reliability" or the section titled "Surface Mount" found in a current National Semiconductor Linear Data Book for other methods of soldering surface mount devices.

**Note 4:** Human body model, 100 pF discharged through a 1.5 k $\Omega$  resistor. Machine model, 200 pF discharged directly into each pin.

**Note 5:** LM75  $\theta_{JA}$  (thermal resistance, junction-to-ambient) when attached to a printed circuit board with 2 oz. foil similar to the one shown in *Figure 3* is summarized in the table below:

| Device Number                                  | NS Package Number | Thermal Resistance ( $\theta_{JA}$ ) |
|--|-------------------|--------------------------------------|
| LM75BIM-3, LM75BIM-5, LM75CIM-3, LM75CIM-5     | M08A              | 200°C/W                              |
| LM75BIMM-3, LM75BIMM-5, LM75CIMM-3, LM75CIMM-5 | MUA08A            | 250°C/W                              |

**Note 6:** All part numbers of the LM75 will operate properly over the  $+V_S$  supply voltage range of 3V to 5.5V. The devices are tested and specified for rated accuracy at their nominal supply voltage. Accuracy will typically degrade 1°C/V of variation in  $+V_S$  as it varies from the nominal value.

**Note 7:** Limits are guaranteed to National's AOQL (Average Outgoing Quality Level).

**Note 8:** This specification is provided only to indicate how often temperature data is updated. The LM75 can be read at any time without regard to conversion state (and will yield last conversion result). If a conversion is in process it will be interrupted and restarted after the end of the read.

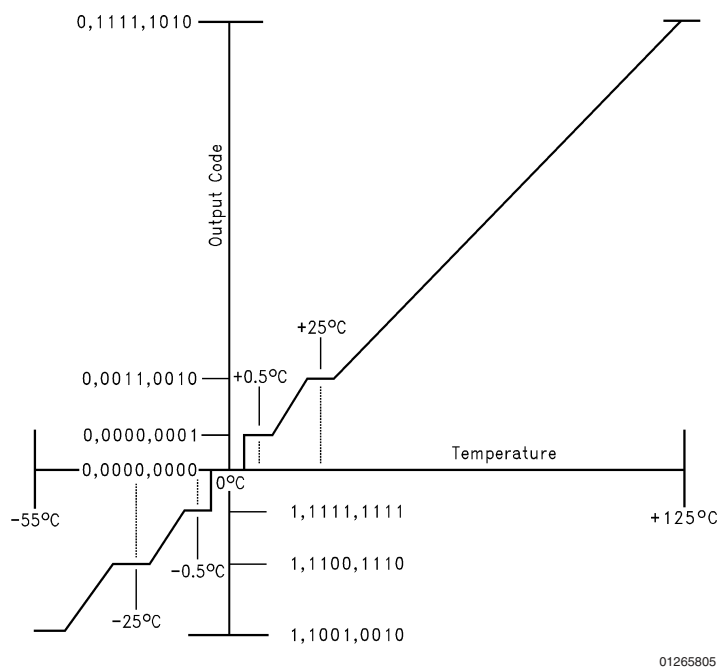
**Note 9:** For best accuracy, minimize output loading. Higher sink currents can affect sensor accuracy with internal heating. This can cause an error of 0.64°C at full rated sink current and saturation voltage based on junction-to-ambient thermal resistance.

**Note 10:** O.S. Delay is user programmable up to 6 "over limit" conversions before O.S. is set to minimize false tripping in noisy environments.

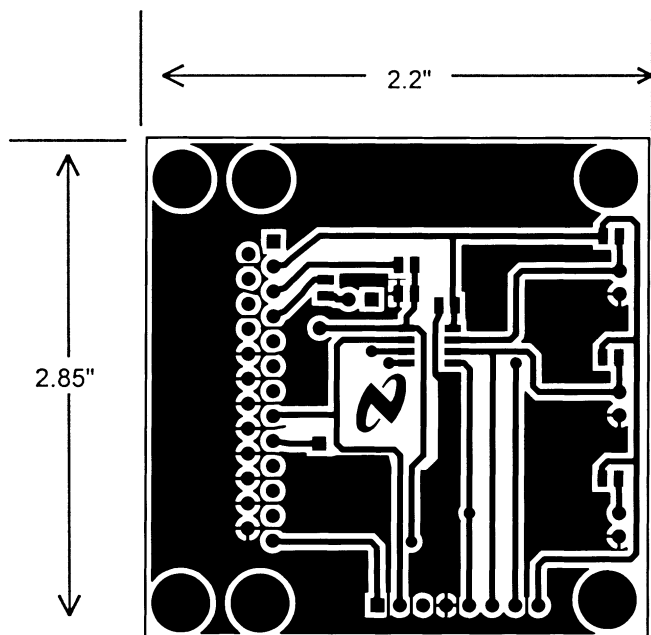
**Note 11:** Default values set at power up.

**Note 12:** Typicals are at  $T_A = 25^\circ\text{C}$  and represent most likely parametric norm.

**Note 13:** Holding the SDA line low for a time greater than  $t_{\text{TIMEOUT}}$  will cause the LM75B to reset SDA to the IDLE state of the serial bus communication (SDA set High).



**FIGURE 2. Temperature-to-Digital Transfer Function (Non-linear scale for clarity)**

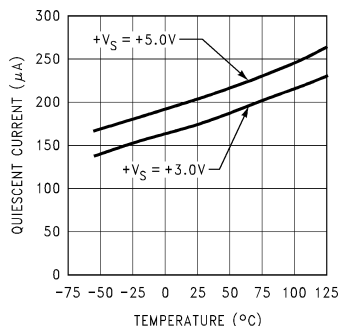


01265806

FIGURE 3. Printed Circuit Board Used for Thermal Resistance Specifications

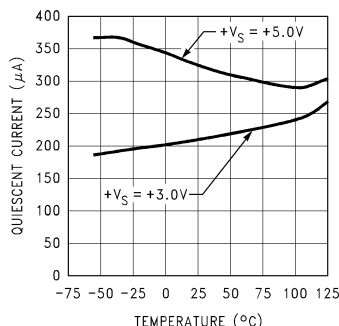
## Typical Performance Characteristics

### Static Quiescent Current vs Temperature



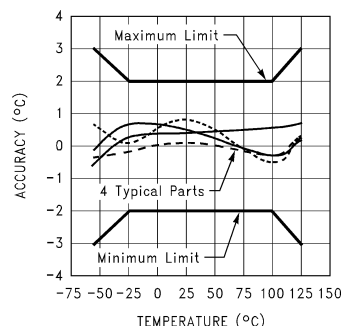
01265816

### Dynamic Quiescent Current vs Temperature



01265817

### Accuracy vs Temperature



01265818

## 1.0 Functional Description

The LM75 temperature sensor incorporates a band-gap type temperature sensor and 9-bit ADC (Delta-Sigma Analog-to-Digital Converter). The temperature data output of the LM75 is available at all times via the I<sup>2</sup>C bus. If a conversion is in progress, it will be stopped and restarted after the read. A digital comparator is also incorporated that compares a series of readings, the number of which is user-selectable, to user-programmable setpoint and hysteresis values. The comparator trips the O.S. output line, which is programmable for mode and polarity.

The LM75B contains all the functionality of the LM75C, plus two additional features:

1. The LM75B has an integrated low-pass filter on both the SDA and the SCL line. These filters increase communications reliability in noisy environments.

2. The LM75B also has a bus fault timeout feature. If the SDA line is held low for longer than  $t_{\text{TIMEOUT}}$  (75 ms minimum to 325 ms maximum) the LM75B will reset to the IDLE state (SDA set to high impedance) and wait for a new start condition.

### 1.1 O.S. OUTPUT, T<sub>OS</sub> AND T<sub>HYST</sub> LIMITS

In Comparator mode the O.S. Output behaves like a thermostat. The output becomes active when temperature exceeds the T<sub>OS</sub> limit, and leaves the active state when the temperature drops below the T<sub>HYST</sub> limit. In this mode the O.S. output can be used to turn a cooling fan on, initiate an emergency system shutdown, or reduce system clock speed. Shutdown mode does not reset O.S. state in a comparator mode.

In Interrupt mode exceeding T<sub>OS</sub> also makes O.S. active but O.S. will remain active indefinitely until reset by reading any register via the I<sup>2</sup>C interface. Once O.S. has been activated

## 1.0 Functional Description (Continued)

by crossing  $T_{OS}$ , then reset, it can be activated again only by Temperature going below  $T_{HYST}$ . Again, it will remain active indefinitely until being reset by a read. Placing the LM75 in shutdown mode also resets the O.S. Output.

### 1.2 POWER UP AND POWER DOWN

The LM75 always powers up in a known state. The power up default conditions are:

1. Comparator mode
2.  $T_{OS} = 80^{\circ}\text{C}$
3.  $T_{HYST} = 75^{\circ}\text{C}$
4. O.S. active low
5. Pointer = "00"

If the LM75 is not connected to the I<sup>2</sup>C bus on power up, it will act as a stand-alone thermostat with the above temperature settings.

When the supply voltage is less than about 1.7V, the LM75 is considered powered down. As the supply voltage rises

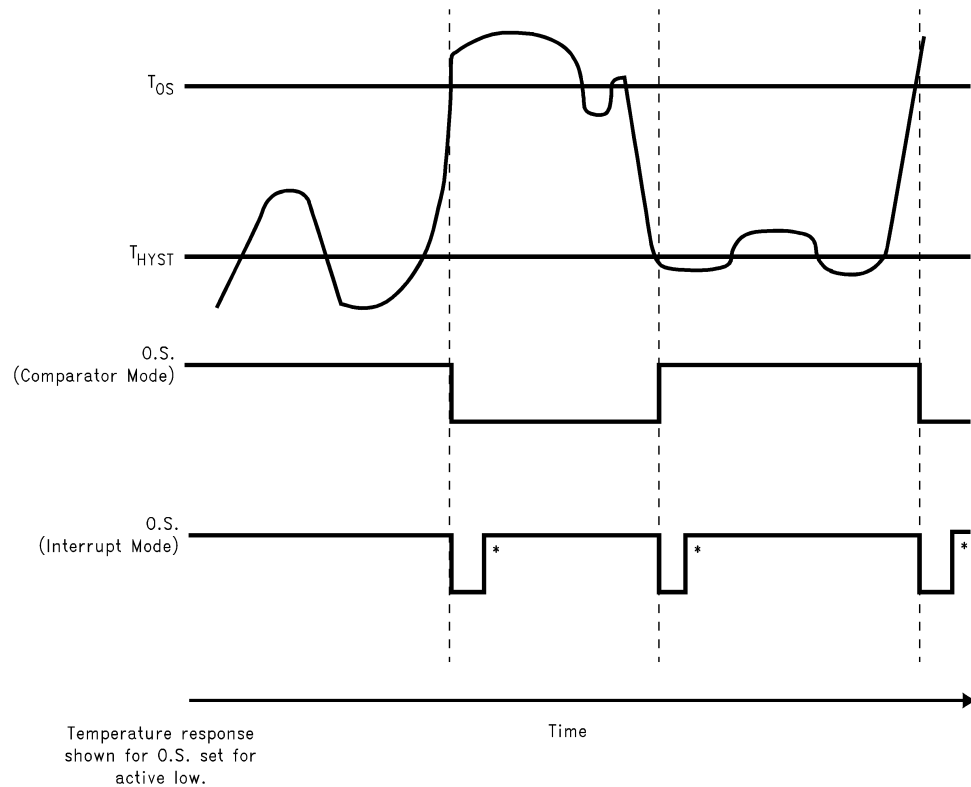
above the nominal 1.7V power up threshold, the internal registers are reset to the power up default values listed above.

### 1.3 I<sup>2</sup>C BUS INTERFACE

The LM75 operates as a slave on the I<sup>2</sup>C bus, so the SCL line is an input (no clock is generated by the LM75) and the SDA line is a bi-directional serial data path. According to I<sup>2</sup>C bus specifications, the LM75 has a 7-bit slave address. The four most significant bits of the slave address are hard wired inside the LM75 and are "1001". The three least significant bits of the address are assigned to pins A2–A0, and are set by connecting these pins to ground for a low, (0); or to +V<sub>S</sub> for a high, (1).

Therefore, the complete slave address is:

|     |   |   |   |     |    |    |
|-----|---|---|---|-----|----|----|
| 1   | 0 | 0 | 1 | A2  | A1 | A0 |
| MSB |   |   |   | LSB |    |    |



01265807

**Note 14:** These interrupt mode resets of O.S. occur only when LM75 is read or placed in shutdown. Otherwise, O.S. would remain active indefinitely for any event.

**FIGURE 4. O.S. Output Temperature Response Diagram**



## 1.0 Functional Description (Continued)

### 1.4 TEMPERATURE DATA FORMAT

Temperature data can be read from the Temperature,  $T_{OS}$  Set Point, and  $T_{HYST}$  Set Point registers; and written to the  $T_{OS}$  Set Point, and  $T_{HYST}$  Set Point registers. Temperature data is represented by a 9-bit, two's complement word with an LSB (Least Significant Bit) equal to  $0.5^{\circ}\text{C}$ :

| Temperature | Digital Output |      |
|-------------|----------------|------|
|             | Binary         | Hex  |
| +125°C      | 0 1111 1010    | 0FAh |
| +25°C       | 0 0011 0010    | 032h |
| +0.5°C      | 0 0000 0001    | 001h |
| 0°C         | 0 0000 0000    | 000h |
| -0.5°C      | 1 1111 1111    | 1FFh |
| -25°C       | 1 1100 1110    | 1CEh |
| -55°C       | 1 1001 0010    | 192h |

### 1.5 SHUTDOWN MODE

Shutdown mode is enabled by setting the shutdown bit in the Configuration register via the I<sup>2</sup>C bus. Shutdown mode reduces power supply current to 4  $\mu\text{A}$  typical. In Interrupt mode O.S. is reset if previously set and is undefined in Comparator mode during shutdown. The I<sup>2</sup>C interface remains active. Activity on the clock and data lines of the I<sup>2</sup>C bus may slightly increase shutdown mode quiescent current.  $T_{OS}$ ,  $T_{HYST}$ , and Configuration registers can be read from and written to in shutdown mode.

### 1.6 FAULT QUEUE

A fault queue of up to 6 faults is provided to prevent false tripping of O.S. when the LM75 is used in noisy environments. The number of faults set in the queue must occur consecutively to set the O.S. output.

### 1.7 COMPARATOR/INTERRUPT MODE

As indicated in the O.S. Output Temperature Response Diagram, *Figure 4*, the events that trigger O.S. are identical for either Comparator or Interrupt mode. The most important difference is that in Interrupt mode the O.S. will remain set indefinitely once it has been set. To reset O.S. while in Interrupt mode, perform a read from any register in the LM75.

### 1.8 O.S. OUTPUT

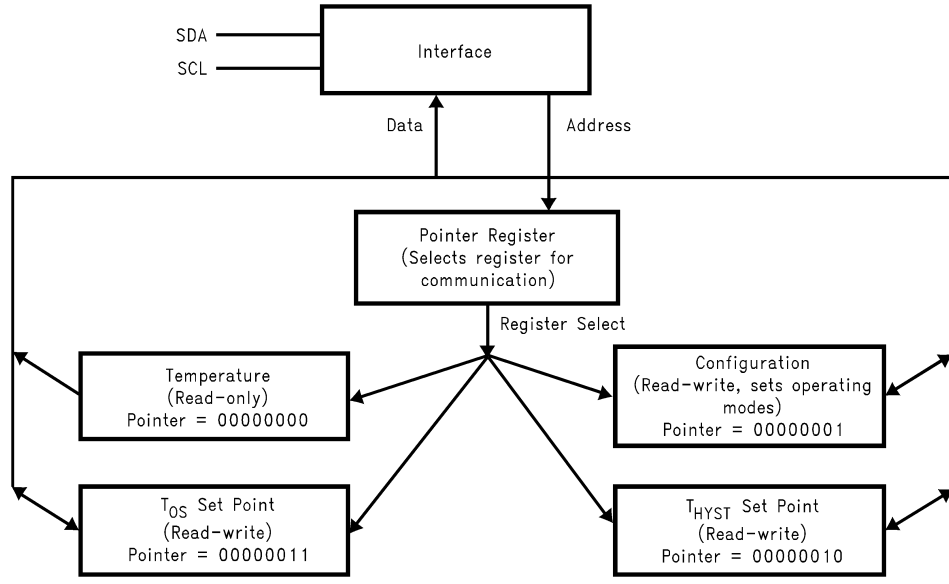
The O.S. output is an open-drain output and does not have an internal pull-up. A "high" level will not be observed on this pin until pull-up current is provided from some external source, typically a pull-up resistor. Choice of resistor value depends on many system factors but, in general, the pull-up resistor should be as large as possible. This will minimize any errors due to internal heating of the LM75. The maximum resistance of the pull up, based on LM75 specification for High Level Output Current, to provide a 2V high level, is 30 k $\Omega$ .

### 1.9 O.S. POLARITY

The O.S. output can be programmed via the configuration register to be either active low (default mode), or active high. In active low mode the O.S. output goes low when triggered exactly as shown on the O.S. Output Temperature Response Diagram, *Figure 4*. Active high simply inverts the polarity of the O.S. output.

# 1.0 Functional Description (Continued)

## 1.10 INTERNAL REGISTER STRUCTURE



01265808

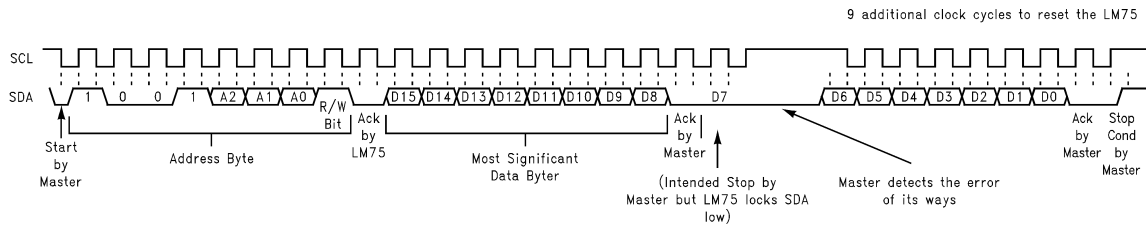
There are four data registers in the LM75, selected by the Pointer register. At power-up the Pointer is set to "00"; the location for the Temperature Register. The Pointer register latches whatever the last location it was set to. In Interrupt Mode, a read from the LM75, or placing the device in shut-down mode, resets the O.S. output. All registers are read and write, except the Temperature register which is read only.

A write to the LM75 will always include the address byte and the Pointer byte. A write to the Configuration register requires one data byte, and the T<sub>OS</sub> and T<sub>HYST</sub> registers require two data bytes.

Reading the LM75 can take place either of two ways: If the location latched in the Pointer is correct (most of the time it is expected that the Pointer will point to the Temperature register because it will be the data most frequently read from the LM75), then the read can simply consist of an address byte, followed by retrieving the corresponding number of data bytes. If the Pointer needs to be set, then an address byte, pointer byte, repeat start, and another address byte will accomplish a read.

The first data byte is the most significant byte with most significant bit first, permitting only as much data as necessary to be read to determine temperature condition. For instance, if the first four bits of the temperature data indicates an overtemperature condition, the host processor could immediately take action to remedy the excessive temperatures. At the end of a read, the LM75 can accept either Acknowledge or No Acknowledge from the Master (No Acknowledge is typically used as a signal for the slave that the Master has read its last byte).

An inadvertent 8-bit read from a 16-bit register, with the D7 bit low, can cause the LM75 to stop in a state where the SDA line is held low as shown in Figure 5. This can prevent any further bus communication until at least 9 additional clock cycles have occurred. Alternatively, the master can issue clock cycles until SDA goes high, at which time issuing a "Stop" condition will reset the LM75.



01265809

**FIGURE 5. Inadvertent 8-Bit Read from 16-Bit Register where D7 is Zero ("0")**

## 1.0 Functional Description (Continued)

### 1.11 POINTER REGISTER

(Selects which registers will be read from or written to):

| P7 | P6 | P5 | P4 | P3 | P2 | P1              | P0 |
|----|----|----|----|----|----|-----------------|----|
| 0  | 0  | 0  | 0  | 0  | 0  | Register Select |    |

P0-P1: Register Select:

| P1 | P0 | Register                                   |
|----|----|--|
| 0  | 0  | Temperature (Read only) (Power-up default) |
| 0  | 1  | Configuration (Read/Write)                 |
| 1  | 0  | T <sub>HYST</sub> (Read/Write)             |
| 1  | 1  | T <sub>OS</sub> (Read/Write)               |

P2-P7: Must be kept zero.

### 1.12 TEMPERATURE REGISTER

(Read Only):

| D15 | D14   | D13   | D12   | D11   | D10   | D9    | D8    | D7  | D6 | D5 | D4 | D3 | D2 | D1 | D0 |
|-----|-------|-------|-------|-------|-------|-------|-------|-----|----|----|----|----|----|----|----|
| MSB | Bit 7 | Bit 6 | Bit 5 | Bit 4 | Bit 3 | Bit 2 | Bit 1 | LSB | X  | X  | X  | X  | X  | X  | X  |

D0-D6: Undefined

D7-D15: Temperature Data. One LSB = 0.5°C. Two's complement format.

### 1.13 CONFIGURATION REGISTER

(Read/Write):

| D7 | D6 | D5 | D4          | D3 | D2            | D1      | D0       |
|----|----|----|-------------|----|---------------|---------|----------|
| 0  | 0  | 0  | Fault Queue |    | O.S. Polarity | Cmp/Int | Shutdown |

Power up default is with all bits "0" (zero).

D0: Shutdown: When set to 1 the LM75 goes to low power shutdown mode.

D1: Comparator/Interrupt mode: 0 is Comparator mode, 1 is Interrupt mode.

D2: O.S. Polarity: 0 is active low, 1 is active high. O.S. is an open-drain output under all conditions.

D3-D4: Fault Queue: Number of faults necessary to detect before setting O.S. output to avoid false tripping due to noise. Faults are determined at the end of a conversion. Conversions take about 100 ms, typically, to complete.

| D4 | D3 | Number of Faults     |
|----|----|----------------------|
| 0  | 0  | 1 (Power-up default) |
| 0  | 1  | 2                    |
| 1  | 0  | 4                    |
| 1  | 1  | 6                    |

D5-D7: These bits are used for production testing and must be kept zero for normal operation.

### 1.14 T<sub>HYST</sub> AND T<sub>OS</sub> REGISTER

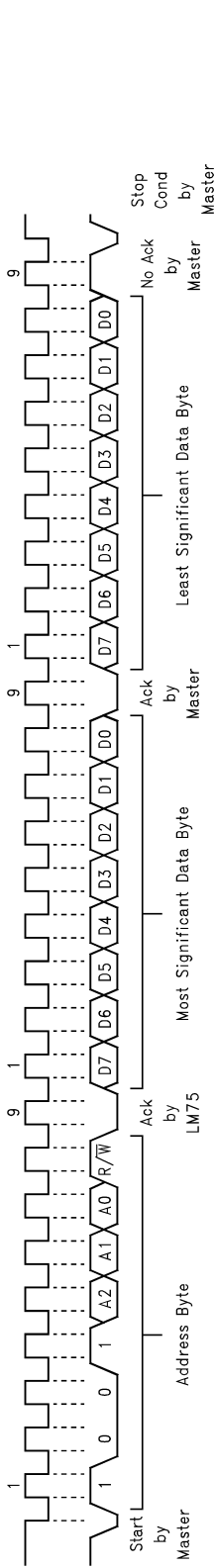
(Read/Write):

| D15 | D14   | D13   | D12   | D11   | D10   | D9    | D8    | D7  | D6 | D5 | D4 | D3 | D2 | D1 | D0 |
|-----|-------|-------|-------|-------|-------|-------|-------|-----|----|----|----|----|----|----|----|
| MSB | Bit 7 | Bit 6 | Bit 5 | Bit 4 | Bit 3 | Bit 2 | Bit 1 | LSB | X  | X  | X  | X  | X  | X  | X  |

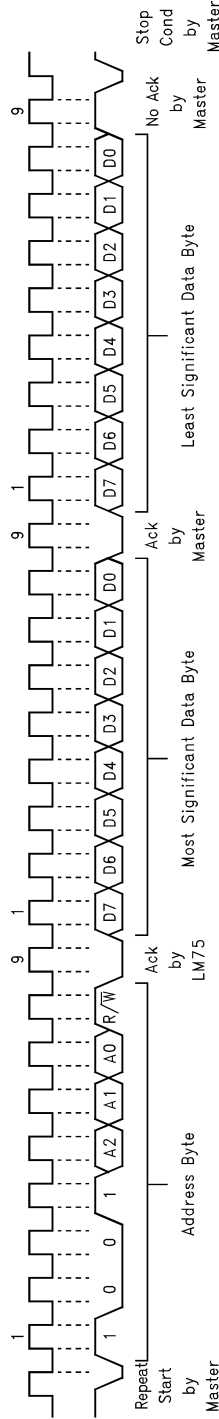
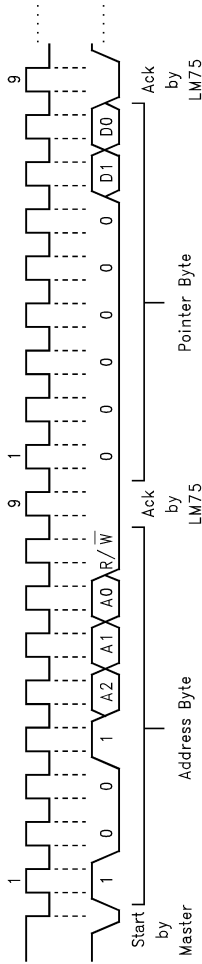
D0-D6: Undefined

D7-D15: T<sub>HYST</sub> Or T<sub>OS</sub> Trip Temperature Data. Power up default is T<sub>OS</sub> = 80°C, T<sub>HYST</sub> = 75°C.

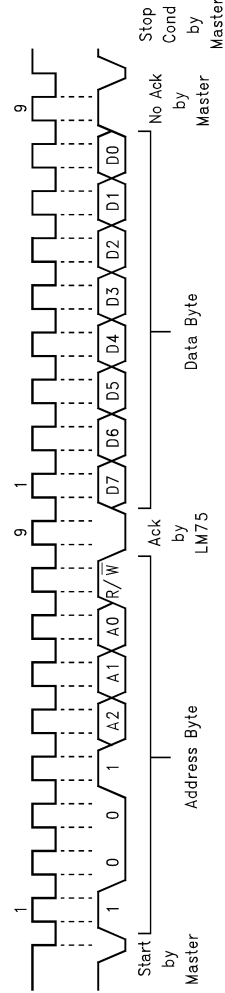
## 2.0 I<sup>2</sup>C Timing Diagrams



(a) Typical 2-Byte Read From Preset Pointer Location Such as Temp, T<sub>OS</sub>, T<sub>HYST</sub>



(b) Typical Pointer Set Followed by Immediate Read for 2-Byte Register such as Temp, T<sub>OS</sub>, T<sub>HYST</sub>

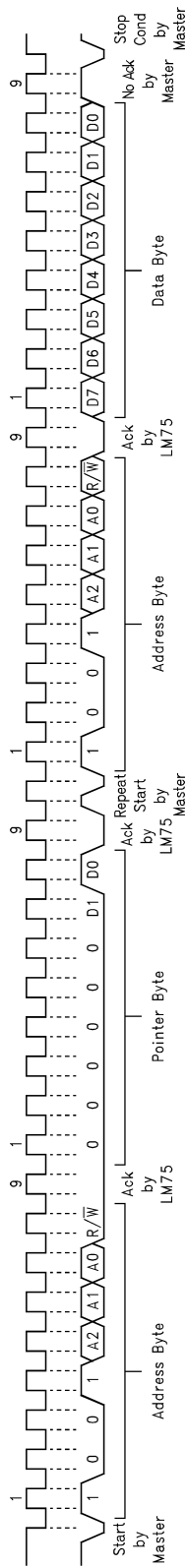


(c) Typical 1-Byte Read From Configuration Register With Preset Pointer

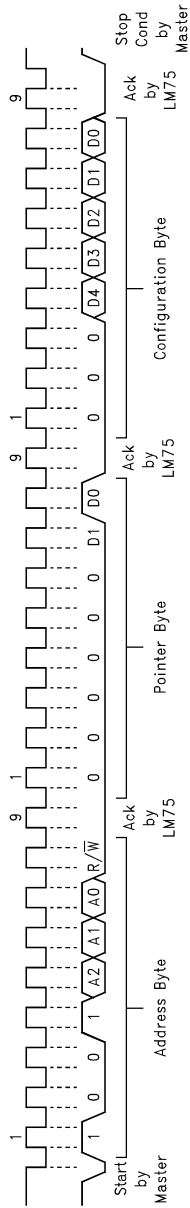
01265810

FIGURE 6. Timing Diagram

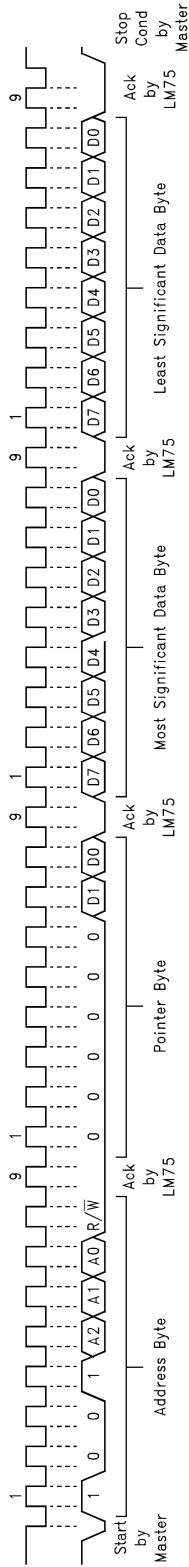
## 2.0 I<sup>2</sup>C Timing Diagrams (Continued)



(a) Typical Pointer Set Followed by Immediate Read from Configuration Register



(b) Configuration Register Write



(c)  $T_{OS}$  and  $T_{HYST}$  Write

01265811

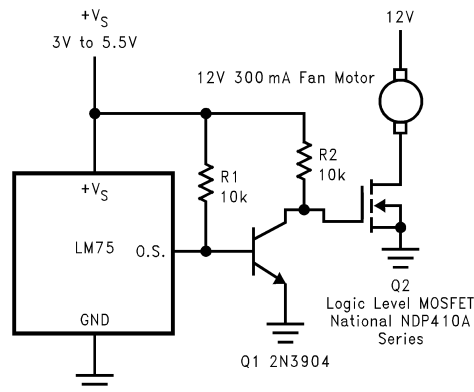
FIGURE 7. Timing Diagrams (Continued)

### 3.0 Application Hints

To get the expected results when measuring temperature with an integrated circuit temperature sensor like the LM75, it is important to understand that the sensor measures its own die temperature. For the LM75, the best thermal path between the die and the outside world is through the LM75's pins. In the MSOP-8 package, the GND pin is directly connected to the die, so the GND pin provides the best thermal path. If the other pins are at different temperatures (unlikely, but possible), they will affect the die temperature, but not as strongly as the GND pin. In the SO-8 package, none of the pins is directly connected to the die, so they will all contribute similarly to the die temperature. Because the pins represent a good thermal path to the LM75 die, the LM75 will provide an accurate measurement of the temperature of the printed circuit board on which it is mounted. There is a less efficient thermal path between the plastic package and the LM75 die. If the ambient air temperature is significantly different from the printed circuit board temperature, it will have a small effect on the measured temperature.

In probe-type applications, the LM75 can be mounted inside a sealed-end metal tube, and can then be dipped into a bath or screwed into a threaded hole in a tank. As with any IC, the LM75 and accompanying wiring and circuits must be kept insulated and dry, to avoid leakage and corrosion. This is especially true if the circuit may operate at cold temperatures where condensation can occur. Printed-circuit coatings and varnishes such as Humiseal and epoxy paints or dips are often used to insure that moisture cannot corrode the LM75 or its connections.

### 4.0 Typical Applications



01265812

When using the two-wire interface: program O.S. for active high and connect O.S. directly to Q2's gate.

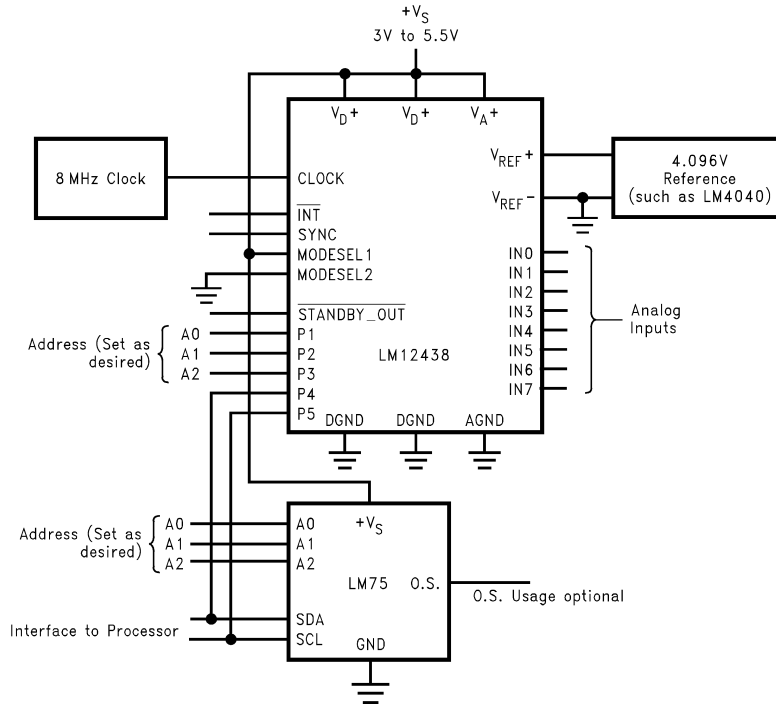
FIGURE 8. Simple Fan Controller, Interface Optional

### DIGITAL NOISE ISSUES

The LM75B features an integrated low-pass filter on both the SCL and the SDA digital lines to mitigate the effects of bus noise. Although this filtering makes the LM75B communication robust in noisy environments, good layout practices are always recommended. Minimize noise coupling by keeping digital traces away from switching power supplies. Also, ensure that digital lines containing high-speed data communications cross at right angles to the SDA and SCL lines.

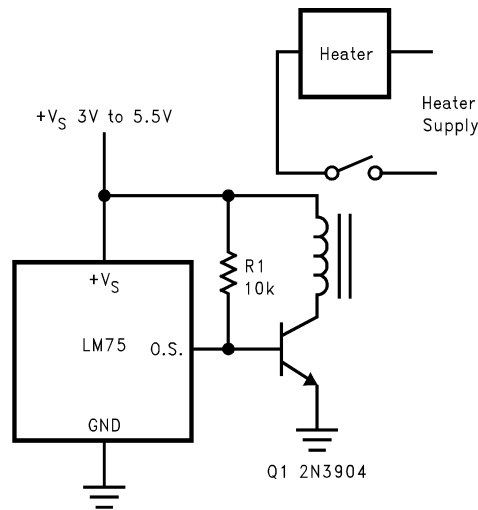
Excessive noise coupling into the SDA and SCL lines on the LM75C—specifically noise with amplitude greater than 400 mV<sub>pp</sub> (the LM75's typical hysteresis), overshoot greater than 300 mV above +V<sub>S</sub>, and undershoot more than 300 mV below GND—may prevent successful serial communication with the LM75C. Serial bus no-acknowledge is the most common symptom, causing unnecessary traffic on the bus. The layout procedures mentioned above apply also to the LM75C. Although the serial bus maximum frequency of communication is only 100 kHz, care must be taken to ensure proper termination within a system with long printed circuit board traces or multiple parts on the bus. Resistance can be added in series with the SDA and SCL lines to further help filter noise and ringing. A 5 kΩ resistor should be placed in series with the SCL line, placed as close as possible to the SCL pin on the LM75C. This 5 kΩ resistor, with the 5 pF to 10 pF stray capacitance of the LM75 provides a 6 MHz to 12 MHz low pass filter, which is sufficient filtering in most cases.

4.0 Typical Applications (Continued)



01265813

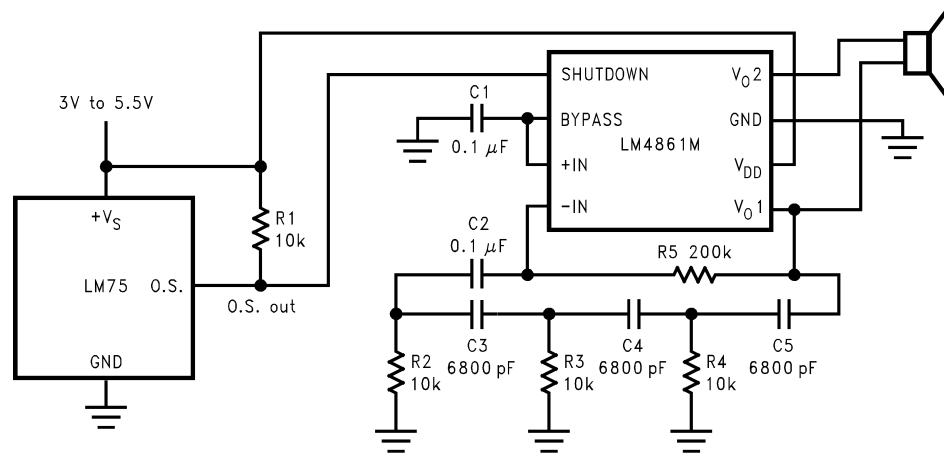
FIGURE 9. Data Acquisition System with Temperature Input via I<sup>2</sup>C Bus



01265814

FIGURE 10. Simple Thermostat, Interface Optional

## 4.0 Typical Applications (Continued)

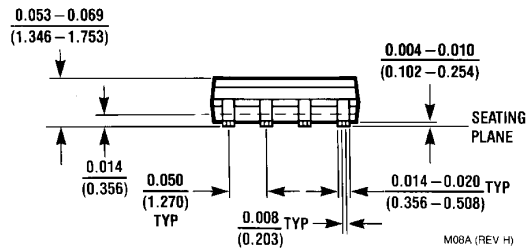
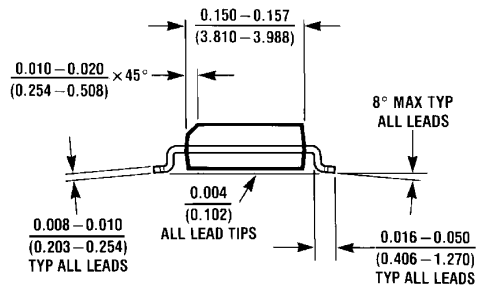
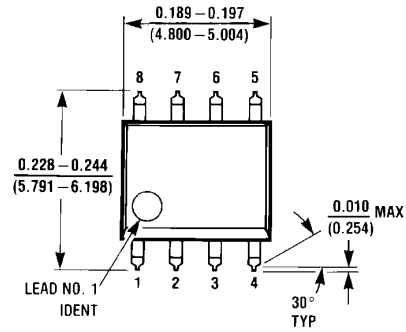


01265815

FIGURE 11. Temperature Sensor with Loudmouth Alarm (Barking Watchdog)

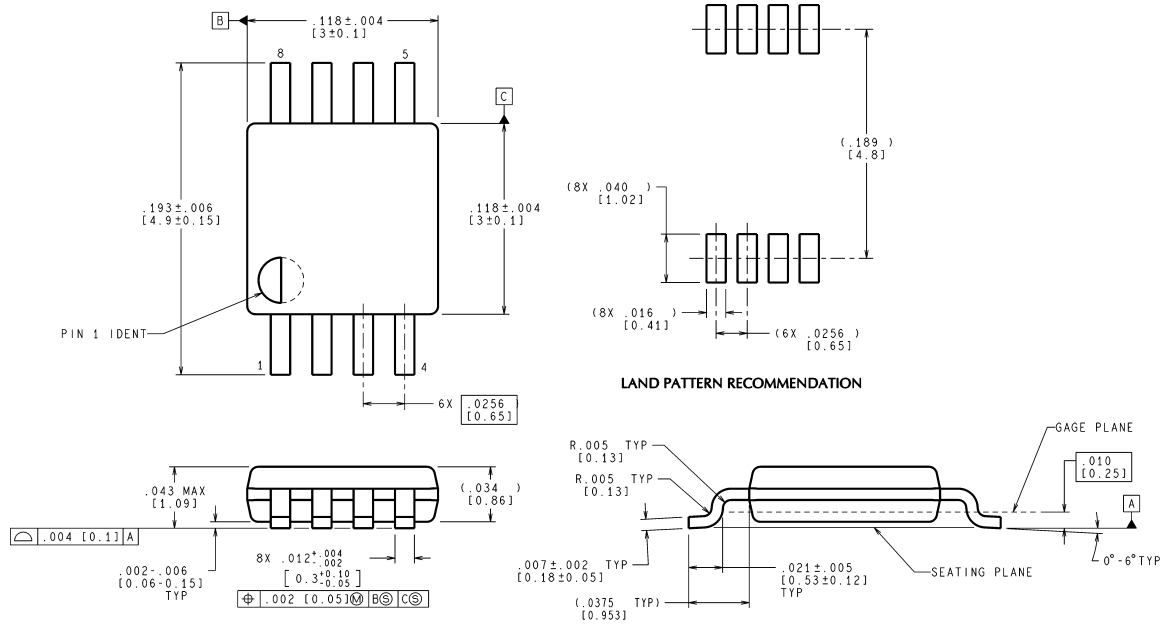


# Physical Dimensions inches (millimeters) unless otherwise noted



**8-Lead (0.150" Wide) Molded Small Outline Package (SOP), JEDEC  
Order Number LM75CIM-3, LM75CIMX-3, LM75CIM-5, LM75CIMX-5,  
LM75BIM-3, LM75BIMX-3, LM75BIM-5, or LM75BIMX-5  
NS Package Number M08A**

**Physical Dimensions** inches (millimeters) unless otherwise noted (Continued)



CONTROLLING DIMENSION IS INCH  
VALUES IN [ ] ARE MILLIMETERS

MUA08A (Rev E)

**8-Lead Molded Mini Small Outline Package (MSOP)**  
**(JEDEC REGISTRATION NUMBER M0-187)**  
**Order Number LM75C1MM-3, LM75C1MMX-3,**  
**LM75C1MM-5, LM75C1MMX-5,**  
**LM75B1MM-3, LM75B1MMX-3,**  
**LM75B1MM-5, or LM75B1MMX-5**  
**NS Package Number MUA08A**


**LIFE SUPPORT POLICY**

NATIONAL'S PRODUCTS ARE NOT AUTHORIZED FOR USE AS CRITICAL COMPONENTS IN LIFE SUPPORT DEVICES OR SYSTEMS WITHOUT THE EXPRESS WRITTEN APPROVAL OF THE PRESIDENT AND GENERAL COUNSEL OF NATIONAL SEMICONDUCTOR CORPORATION. As used herein:

1. Life support devices or systems are devices or systems which, (a) are intended for surgical implant into the body, or (b) support or sustain life, and whose failure to perform when properly used in accordance with instructions for use provided in the labeling, can be reasonably expected to result in a significant injury to the user.
2. A critical component is any component of a life support device or system whose failure to perform can be reasonably expected to cause the failure of the life support device or system, or to affect its safety or effectiveness.

**BANNED SUBSTANCE COMPLIANCE**

National Semiconductor certifies that the products and packing materials meet the provisions of the Customer Products Stewardship Specification (CSP-9-111C2) and the Banned Substances and Materials of Interest Specification (CSP-9-111S2) and contain no "Banned Substances" as defined in CSP-9-111S2.

 **National Semiconductor**  
**Americas Customer Support Center**  
 Email: new.feedback@nsc.com  
 Tel: 1-800-272-9959

**National Semiconductor**  
**Europe Customer Support Center**  
 Fax: +49 (0) 180-530 85 86  
 Email: europe.support@nsc.com  
 Deutsch Tel: +49 (0) 69 9508 6208  
 English Tel: +44 (0) 870 24 0 2171  
 Français Tel: +33 (0) 1 41 91 8790

**National Semiconductor**  
**Asia Pacific Customer Support Center**  
 Email: ap.support@nsc.com

**National Semiconductor**  
**Japan Customer Support Center**  
 Fax: 81-3-5639-7507  
 Email: jpn.feedback@nsc.com  
 Tel: 81-3-5639-7560

www.national.com