



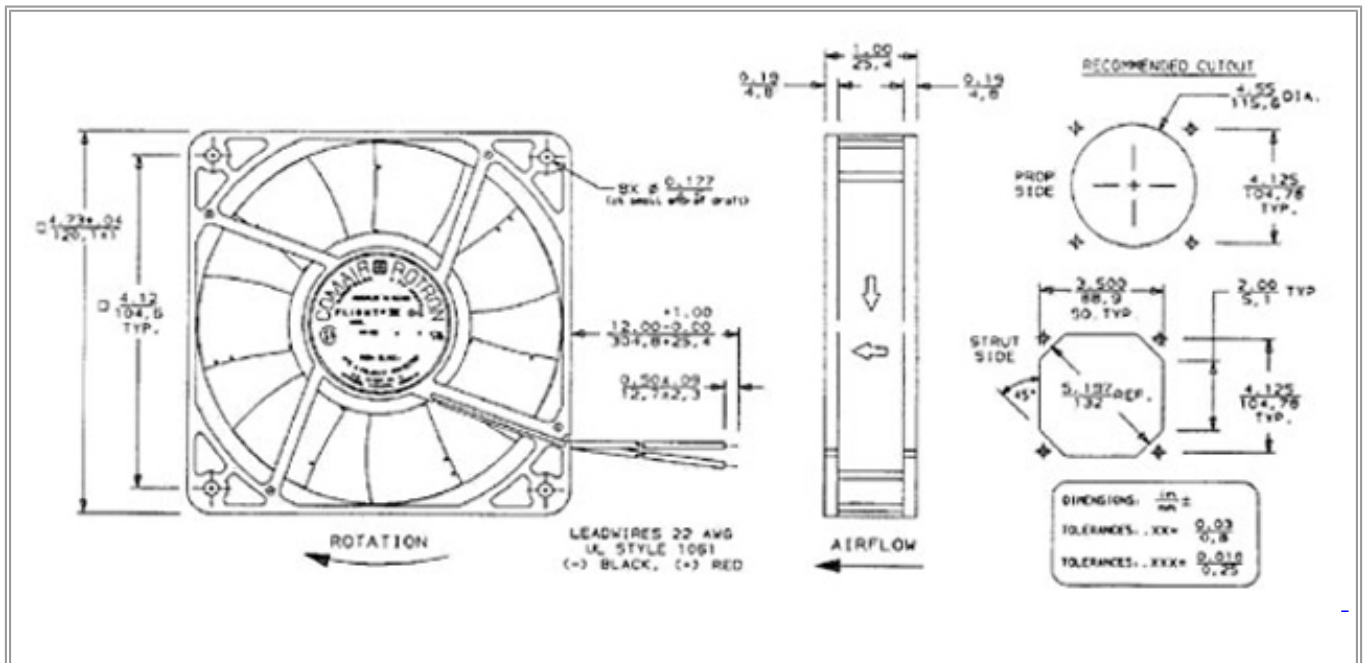
Flight II 120 (DC Fan)

COMAIR ROTRON PART NUMBER: **031174**
 COMAIR ROTRON MODEL NUMBER: **FT12B3**

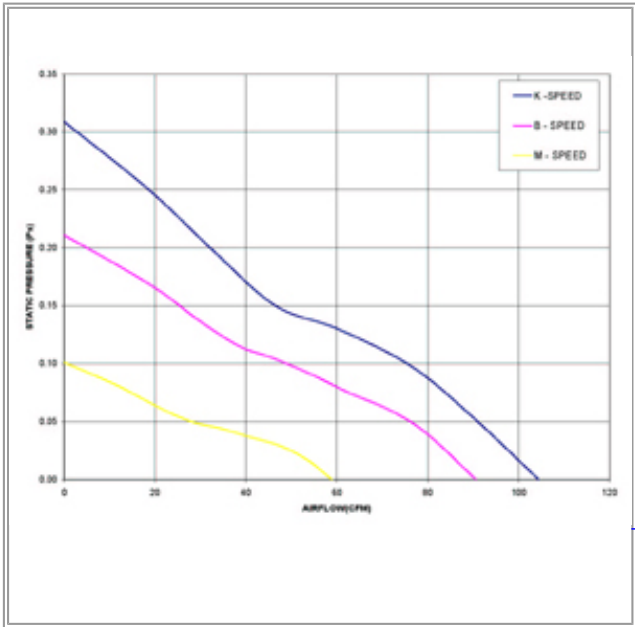


MOTOR	
Rated Voltage:	12
Operating Voltage Range:	6 - 14
Running Current: (amps)	0.346
Locked Rotor Current: (amps)	0.84
Rated Power: (watts)	4.1
Nominal Speed: (rpm)	2924

MECHANICAL	
Dimensions:	120mm x 25mm (4.72in x 1.00in)
Bearing Type:	Ball
Motor Base:	Polyphenylene Oxide (PPO), UL94V-0, Black
Propeller:	Polybutylene Terephthalate (PBT), UL94V-0, Black



NOTES

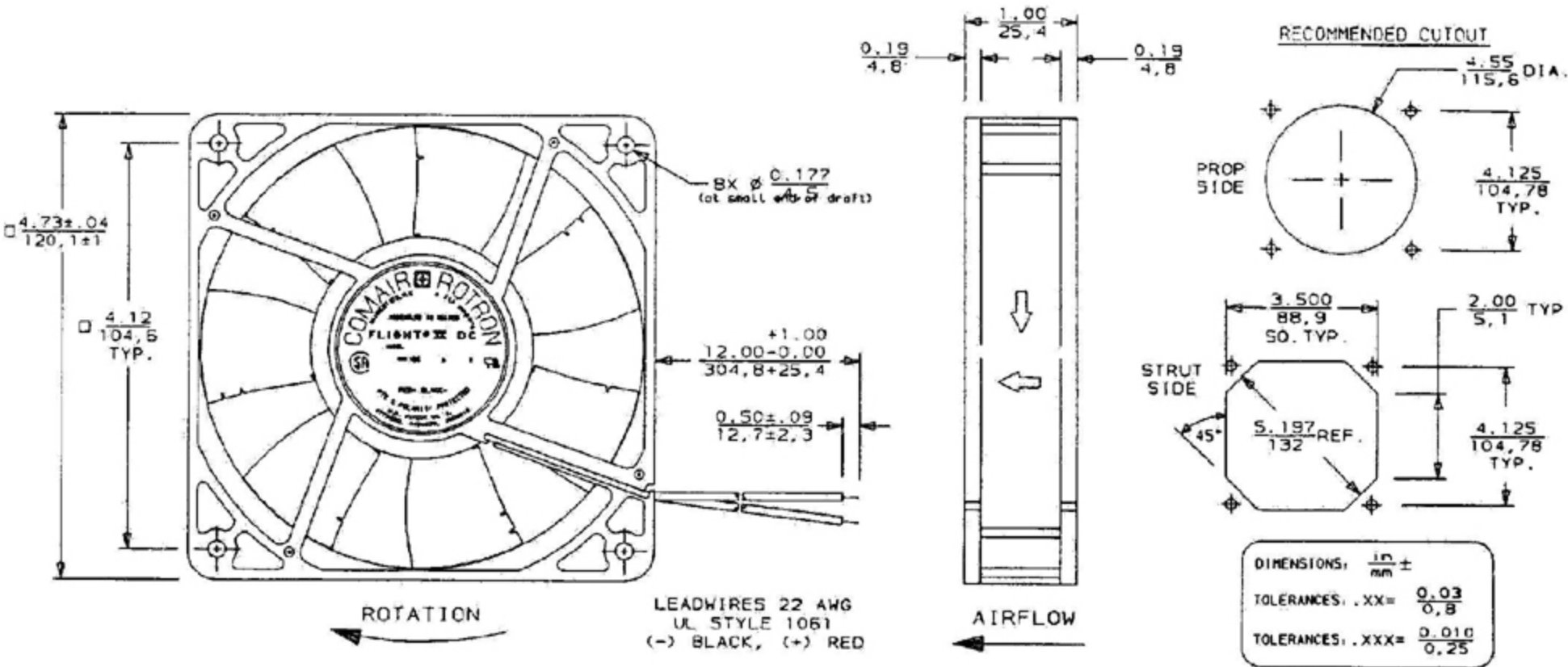


PERFORMANCE CHARACTERISTICS	
Air Flow: (CFM)	90
Static Pressure:	.211

TERMINATION	
Leadwires:	12" Leadwires

SAFETY	

All product names are used under license and are trademarks or registered trademarks of Comair Rotron, Inc.



Specifications subject to change without notice.

2950 RPM Fan Performance

