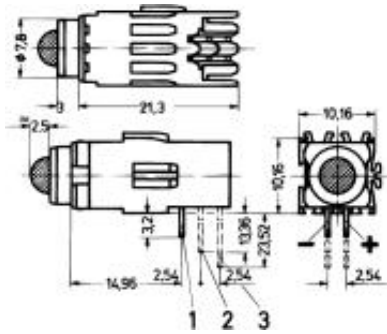
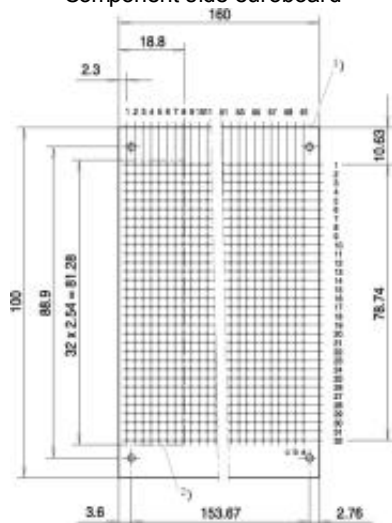


Single LED, long type, Ø 5 mm

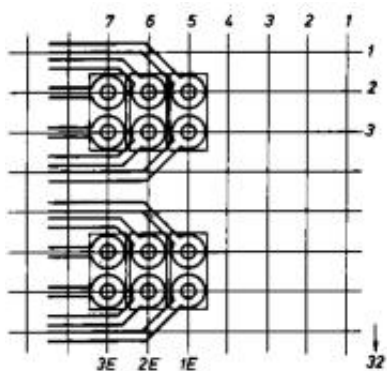


1, 2, 3 = mounting plane

Component side euroboard



View of solder side



Track w width min. 0.6 mm, grid 2.54 mm

Part no.: 69004-050

Features:

- Long type for mounting plane 1, 2 and 3

Add to basket



Standard pack quantity 10



Technical information:

Description	Description	Color
Standard LED	Mounting plane 1	red

Technical Data:

Absolute maximum data $T_U = 25\text{ °C}$	red Ø 5 mm
Reverse voltage V	5
On-state current mA	25
Energy loss mW	100
Forward current mA ($t < 10\text{ }\mu\text{s}$)	100
Forward voltage V - type (10 mA / 2 mA)	2,1
- max. (10 mA / 2 mA)	3
Luminous intensity mcd - at 2 mA	-

Recommended drilled hole Solder eyes Ø

diameter \varnothing
1.0 mm W 0.05 2.1 mm W 0.1

Track width min. 0,6 mm Grid 2.54 mm

Product illustrations are exemplary illustrations and can deviate from supplied products.

– at 10 mA ¹⁾	2.2
– at 20 mA ¹⁾	4,4
Wavelength nm (10 mA / 2 mA)	635
Thermal resistance °C/W	350
Angle of beam	$\pm 50^\circ$
Pivot bush temperature	– 55 ... + 100 °C
Operating temperature	– 55 ... + 100 °C (low-current LED) / – 40 ... + 85 °C (standard LED)
Solder temperature	235 °C / 2 sec
Insulating body	Process control keyboard (Crastin)
Flammability of the insulating body	UL 94 V-0
Angle of beam	$\pm 50^\circ$

Note:

- Connection pin dimensions: 0,5 × 0,5 mm (mounting plane 1)
- Required front panel bore \varnothing 8 mm
- Delivery is in standard pack multiples. Pricing is per individual item